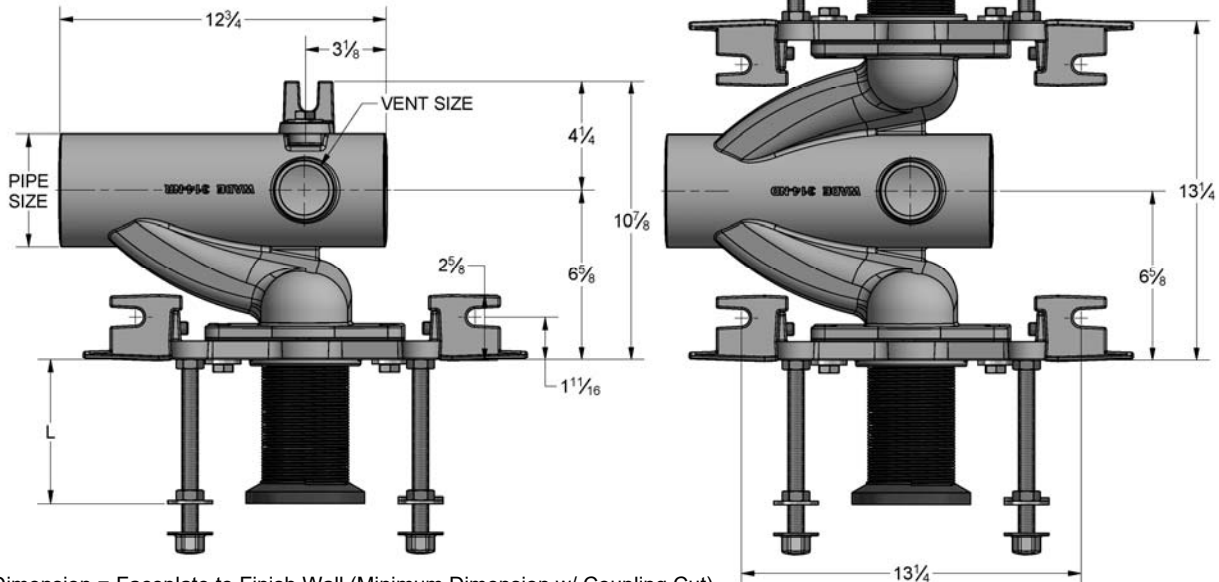


## 314 Horizontal Adjustable Water Closet Support (Low Flow)

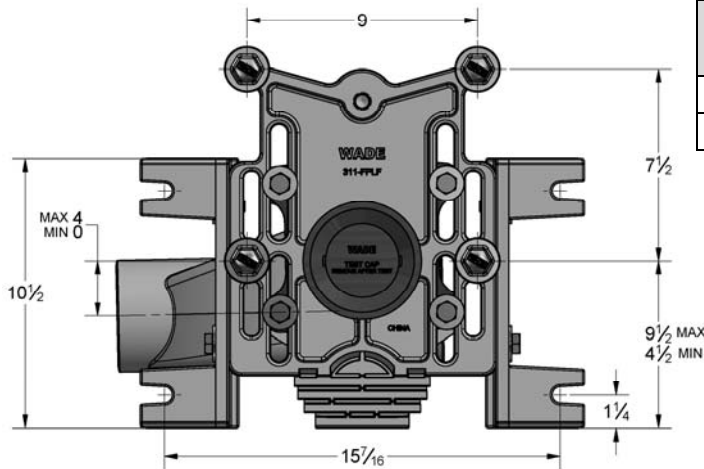
Project	Engineer	Mechanical
---------	----------	------------

**ASME Load Rating - 500 Lb. ( L = 4" ) 300 Lb. (L>4")**

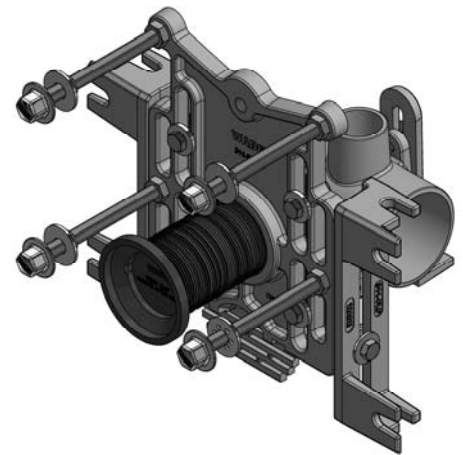
M4 Rod Support Feet Required for "L" Dimension over 4" (500 Lb.)



"L" Dimension = Faceplate to Finish Wall (Minimum Dimension w/ Coupling Cut)



Coupling Package	L	
	Min.	Max.
C6	1 3/4"	5"
ECC14	1 3/4"	13"



Right Hand Unit Illustrated

Model	Orientation	Connection Type
314-NL4	Left	No-Hub
314-NR4	Right	
314-ND4	Double	

**Regularly Furnished:** Horizontal water closet carrier with floor mounted foot supports, rear anchor, 6" ABS coupling with o-ring seal, test cap, threaded zinc plated support studs and hardware, stud protectors, neoprene bowl basket, chrome plated cap nuts, & adjustable faceplate. Optimized to work with low consumption fixtures.

Suffix Options		
Suffix	Description	•
-AM1	Flush Valve Support	
-AM21	Tiling Flange	
-ECC	Extended Coupling and Hardware (Per Inch)	

Suffix Options		
Suffix	Description	•
-M3	Vandal Proof Hardware	
-M4	Rod Supported Feet	
-M14	Floor Mounted, Back Outlet Adapter	

\*Dimensions vary from illustration