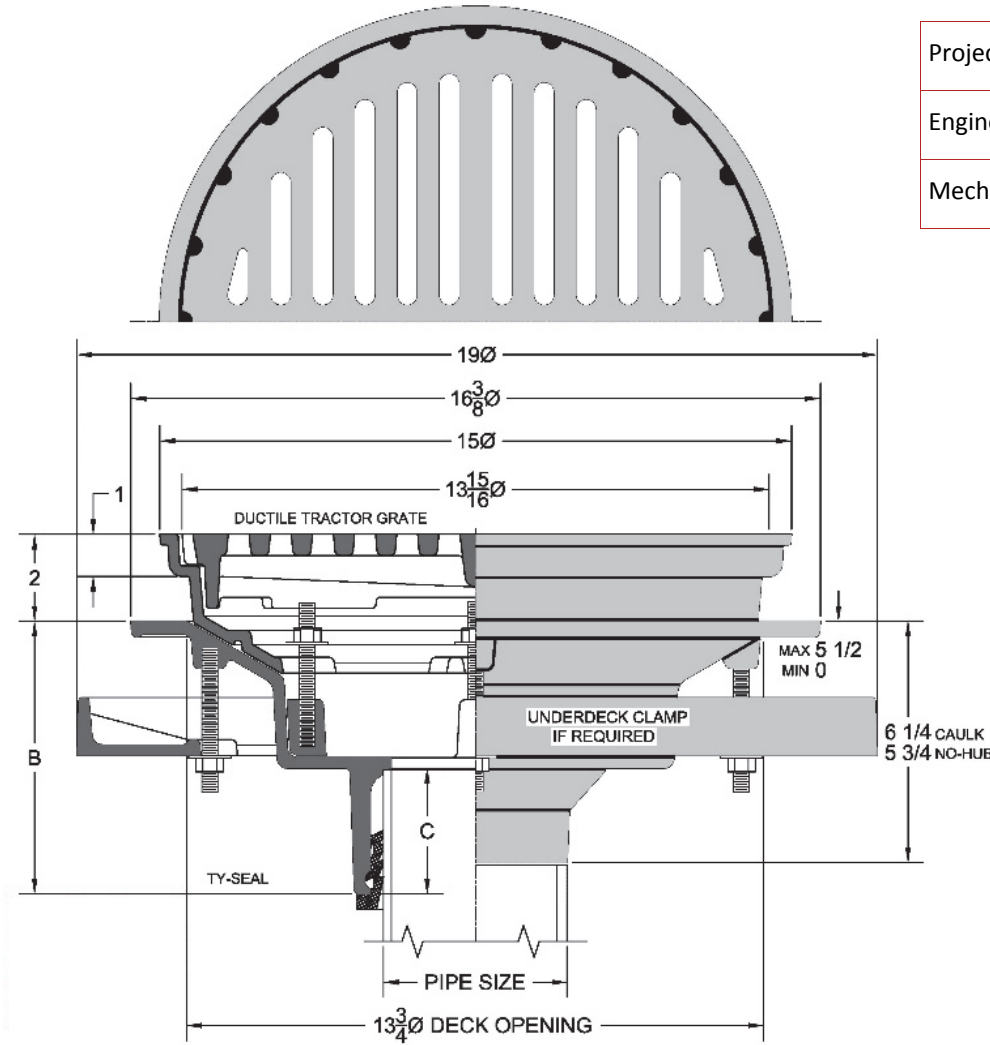


3105 15" Round Promenade Deck Drain (Replaces 3400)

Project	
Engineer	
Mechanical	



Dimensions (In.)		
Pipe Size	B	C
2"	6 3/8	2 1/2
3"	6 5/8	2 3/4
4"	6 7/8	3
6"	6 3/8	3

3105	-1	-2	-12	Grate Free Area (Sq.In.)
•	Cast Iron Body with Satin Finish Nickel Bronze Top	Cast Iron Body with Satin Finish Bronze Top	Cast Iron Body with Ductile Iron Top	63.6

Suffix Options		
Suffix	Description	•
-ARC	Acid Resistant Coating	
-DFS	Perforated Stainless Steel Extension (1"-4") * For Each Additional 1" (Add / In.)	
-E	Elastomeric Flange*	
-SO	90 Degree Side Outlet (3NH,4NH,6NH)*	
-VP	Vandal Proof Top Assembly	
-8	Secondary Strainer	
-11	Heel Proof Grate	
-39	Galvanized Cast Iron	
-52	Sump Receiver*	
-53	Under-Deck Clamp*	
-189	Bearing Pan w/ Clips & Securing Hardware*	

Regularly Furnished: Cast iron deck drain with flange, flashing ring, gravel stop, & secured grate.

Optional Extensions			
Suffix	Description		•
-ADF	Adjustable Extension*	Painted	
		-39 Galv	
-AE	Adjustable Deck Riser*	Painted	
		-39 Galv	
-DF	Fixed Extension (1",2",3" or 4") *	Painted	
		-39 Galv	
-EB	Adjustable Drain Extension Pan*		

Outlet Variations		
Type	Designation	•
Inside Caulk	2IC,3IC,4IC,5IC,6IC	
No-Hub	2NH,3NH,4NH,5NH,6NH,8NH	
Push On Gasket	2TY,3TY,4TY,6TY(CI),6TX(PVC)	
Threaded	2IPS,3IPS,4IPS,5IPS,6IPS,8IPS	

*Dimensions vary from illustration