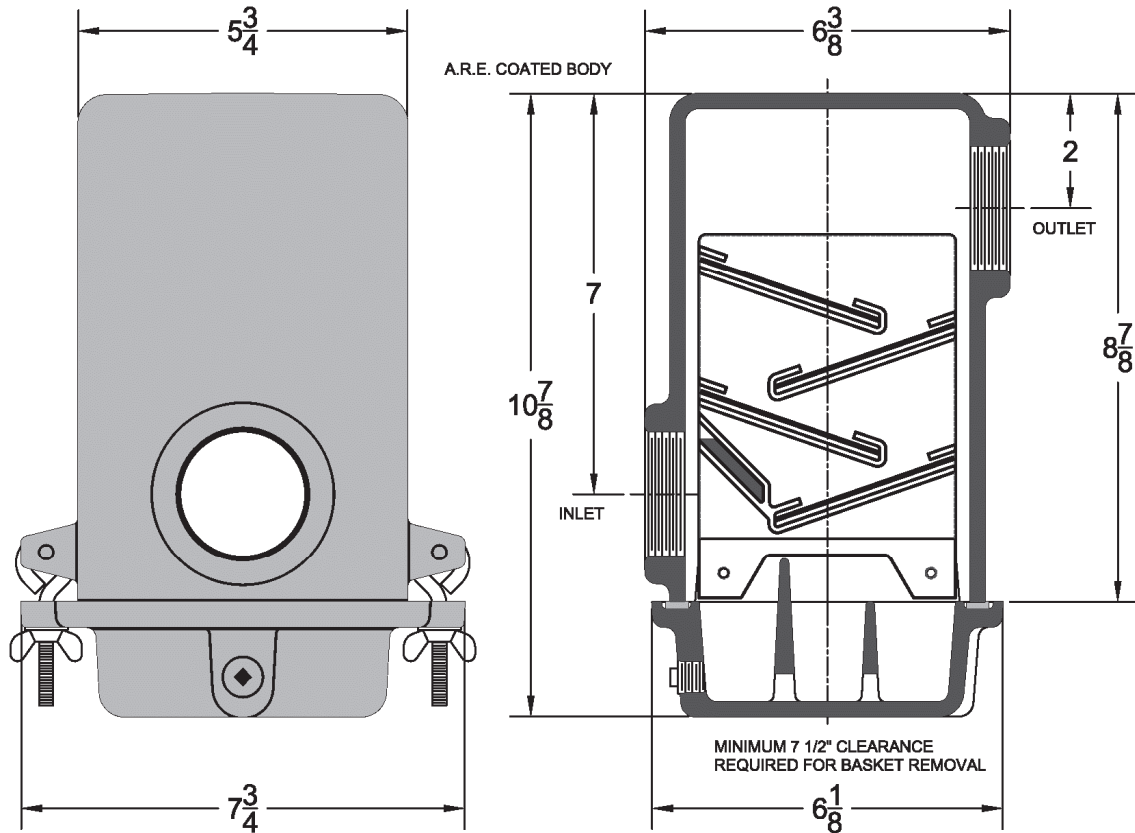


5730 Bottom Access Solids Interceptor

Regularly Furnished: A.R.C. cast aluminum bottom access solids interceptor with gasketed cover & removable filter screens with bronze frame.

Project	
Engineer	
Mechanical	



Inlet / Outlet	Flow Rate (GPM)	•
1 1/2 IPS	15	
2 IPS		

Suffix Options		
Suffix	Description	•
-27	Replacement Screens	
-123	Stainless Steel Mesh Lined Screens	
-175	Custom Perforated Screens	
Outlet Variations		
-IPS	Female Threaded	