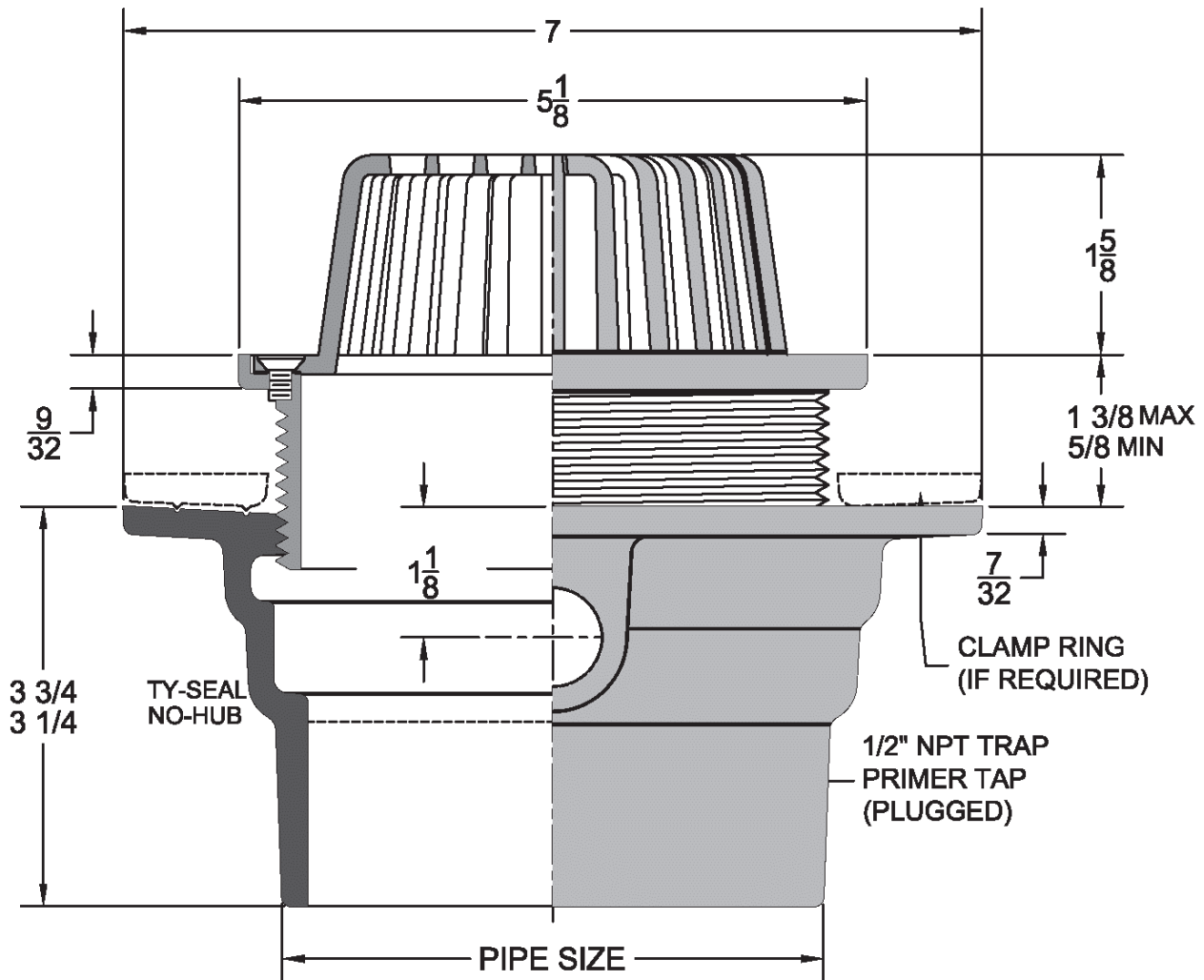


1000-KR Floor Drain Body with Adjustable Top Assembly

Project	Engineer	Mechanical
---------	----------	------------



*Dimensions vary from illustration

1000-KR	-1	Grate Free Area (Sq.In.)
	Cast Iron Body with Satin Finish Nickel Bronze Top	
•		15.0

Regularly Furnished: Painted cast iron floor drain body with flange, seepage openings, 1/2" primer tap with plug, & type "KR" top assembly.

Outlet Variations		
Type	Designation	•
No-Hub	2NH,3NH,4NH	
Push On Gasket	2TY,3TY,4TY	

Suffix Options		
Suffix	Description	•
-DIA	Deck Installation Assembly *	
-SO	90 Degree Side Outlet (2NH,3NH,4NH)	
-TSD	Trap Seal Device (See Model 4405)	
-VP	Vandal Proof Top Assembly	
-26	Clamping Collar for Membrane Floors *	
-26T	Threaded Clamping Collar*	
-27	Sediment Bucket	
-31	Backwater Valve	
-39	Galvanized Cast Iron	
-94	Cast Iron Extension Adapter*	Painted
		-39 Galv