

DRAWING NUMBER
S5517

SIZE
A

SCALE:
NONE

DATE:
10/09/09

APPROVED BY:
AM

CHECKED BY:
AM

DRAWN BY:
JJ

5517

FIGURE NUMBER

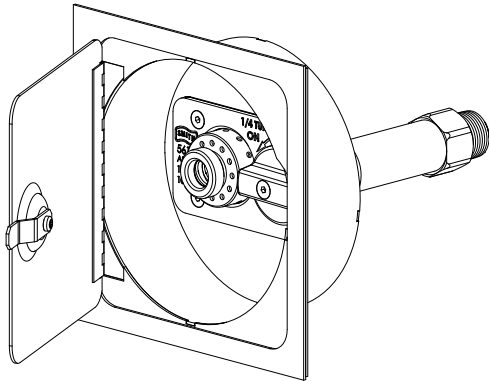
WE CAN ASSUME NO RESPONSIBILITY FOR USE OF SUPERSEDED OR VOID DATA

DIMENSIONS ARE SUBJECT TO MANUFACTURERS TOLERANCE AND CHANGE WITHOUT NOTICE

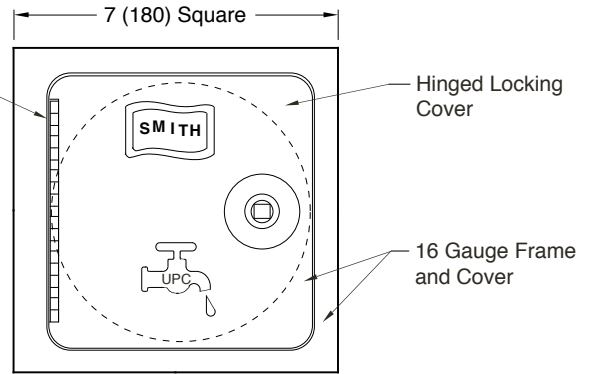
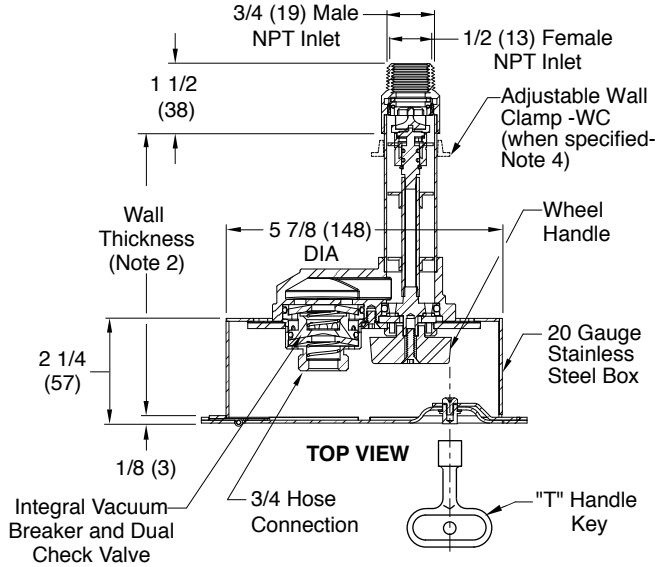
GUARDIAN DUAL CHECK
1/4 TURN NON-FREEZE WALL HYDRANT WITH AUTOMATIC DRAINING
INTEGRAL VACUUM BREAKER, DUAL CHECK VALVE AND STAINLESS STEEL BOX

HYDRANT BOX FOR 6" (150) DIAMETER CORED HOLE IN CONCRETE EXTERIOR WALL

1/4 Turn of the Key or Wheel Handle
Allows Full Flow to Be Obtained



FRONT VIEW
with COVER OPEN



FRONT VIEW

NOTES:

1. Recommended wall opening: 6" (150) DIA.
2. When ordering, specify wall thickness in 1 (25) increments as follows 5,6,7,8,9.....24.
3. All Jay R. Smith hydrants are manufactured with "NO-LEAD" brazing rings and USDA approved lubricants.
4. When wall clamp -WC is desired, increase wall thickness dimension by 2 (51).
5. Add 3/4 (19) to Overall Length When IC1 is Specified.
6. When specifying Fig. 5517 (-SAP) the wall thickness shall be 5 (125).
7. Dimensions shown in parentheses are in millimeters.
8. The AB1953, California Lead Law, and NSF/ANSI Standard 61-2008 - Drinking Water System Components are not applicable to Jay R. Smith hydrants as they do not convey/dispense water for human consumption through drinking or cooking.
9. **FOR IRRIGATION PURPOSES ONLY.**

Installer is responsible for providing a 100% watertight positive seal at the hydrant to box interface and hydrant to wall interface. Seal all interior joints, seams, gasket seams/closures including around the hydrant box flange with an appropriate sealant recommended by a sealant manufacturer. NOTE: Jay R. Smith does not warrant the performance or life expectancy of the sealant material.

Meets ANSI A112.21.3M Specifications Complies w/ ASSE 1019-B, 1052 and 1053. IAPMO Listed- File #2749, Patent No. US 6,752,167

REGULARLY FURNISHED:

Bronze Quarter Turn Non-Freeze Automatic Draining Hydrant with Stainless Steel Face, Hose Connection, Integral Vacuum Breaker and Dual Check Valve, "T" Handle Key, Wheel Handle and Stainless Steel Box with Full 180° Cover Opening.

VARIATIONS:

- Adjustable Wall Clamp -WC (Note 4)
- 1 (25) Hose Connection -HC1
- 1 (25) Male NPT Inlet Connection -IC1 (Note 5)
- Mild Climate -SAP (Note 6)
- Cylinder Lock -CL
- "Water" on cover -W

Seepage of a small amount of water may occur from the vacuum breaker upon the initial opening and closing of this hydrant. This is normal operation.

NOTE: Dimensions shown in parentheses are in millimeters.

REV.	DATE	DESCRIPTION	BY	CKD. BY	WEIGHT POUNDS	VOLUME CUBIC FEET	FIGURE NUMBER
D	9-21-16	Removed Function	TBW	SJM			5517
C	7-20-16	Added Note	TBW	BW			
B	6-3-15	Added Callout	TBW	AM			

A

SMITH® JAY R. SMITH MFG. CO.®
 MEMBER OF MORRIS GROUP INTERNATIONAL
 POST OFFICE BOX 3237
 MONTGOMERY, ALABAMA 36109-0237 (USA)
 TEL: 334-277-8520 FAX: 334-272-7396 www.jrsmith.com

CUSTOMER DRIVEN SINCE 1926



MEMBER OF:

LOCATION

DRAWING NUMBER
S5517BS

SIZE
A

SCALE:
NONE

DATE:
10/12/09

APPROVED BY:
AM

CHECKED BY:
AM

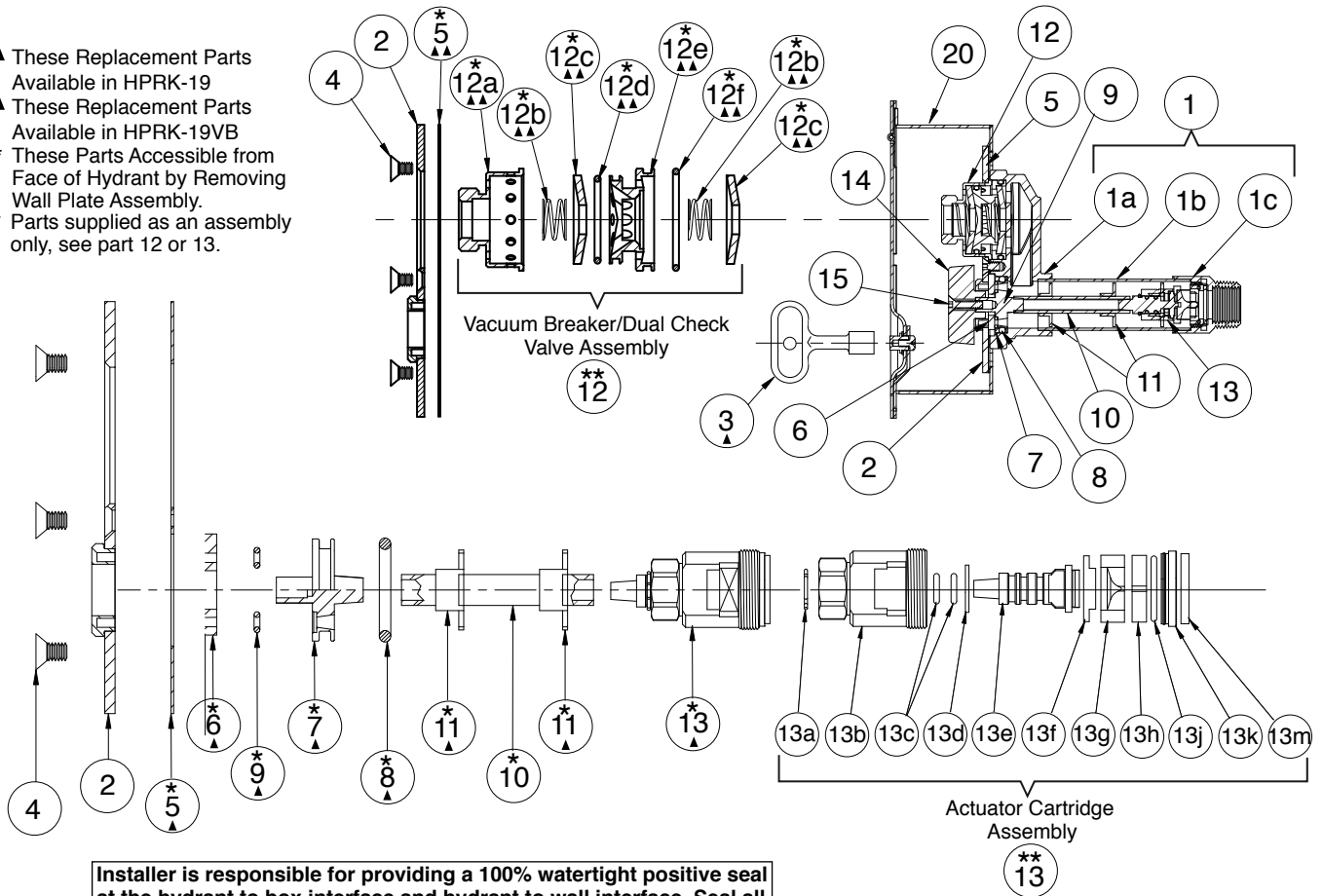
DRAWN BY:
JJ

5517BS

FIGURE NUMBER

GUARDIAN DUAL CHECK HYDRANT PARTS LIST

- ▲ These Replacement Parts Available in HPRK-19
- ▲▲ These Replacement Parts Available in HPRK-19VB
- * These Parts Accessible from Face of Hydrant by Removing Wall Plate Assembly.
- ** Parts supplied as an assembly only, see part 12 or 13.



Installer is responsible for providing a 100% watertight positive seal at the hydrant to box interface and hydrant to wall interface. Seal all interior joints, seams, gasket seams/closures including around the hydrant box flange with an appropriate sealant recommended by a sealant manufacturer. NOTE: Jay R. Smith does not warrant the performance or life expectancy of the sealant material.

HYDRANT PARTS LIST

NO.	DESCRIPTION	NO.	DESCRIPTION	NO.	DESCRIPTION	NO.	DESCRIPTION
1	Casing Assembly	7	Moveable Operator Piece	12d	**Small O-Ring	13f	**Nylon Thrust Washer
1a	Head	8	Moveable Operator O-Ring	12e	**Flow Diverter	13g	**Rotating Ceramic Disc
1b	Casing	9	Drain Hole Seal (2)	12f	**Large O-Ring	13h	**Fixed Ceramic Disc
1c	Valve Housing	10	Operator Rod	13	Actuator Cartridge Assembly	13j	**O-Ring
2	Wall Plate Assembly	11	Operator Rod Guides (2)	13a	**Retaining Ring	13k	**O-Ring Gasket Retainer
3	Key	12	Vacuum Breaker/Dual Check Valve Assembly	13b	**Valve Body	13m	**Rubber Seal
4	Wall Plate Securing Screw (5)	12a	**Vacuum Breaker Housing	13c	**Actuator O-Ring (2)	14	Wheel Handle
5	Wall Plate Gasket	12b	**Spring (2)	13d	**Nylon Thrust Spacer	15	Wheel Handle Screw
6	Stationary Operator Piece	12c	**Cone Washer (2)	13e	**Valve Actuator	20	Box Assembly

REV.	DATE	DESCRIPTION	BY	CKD. BY	WEIGHT POUNDS	VOLUME CUBIC FEET	FIGURE NUMBER 5517BS
A	7-20-16	Added Note	TBW	BW			