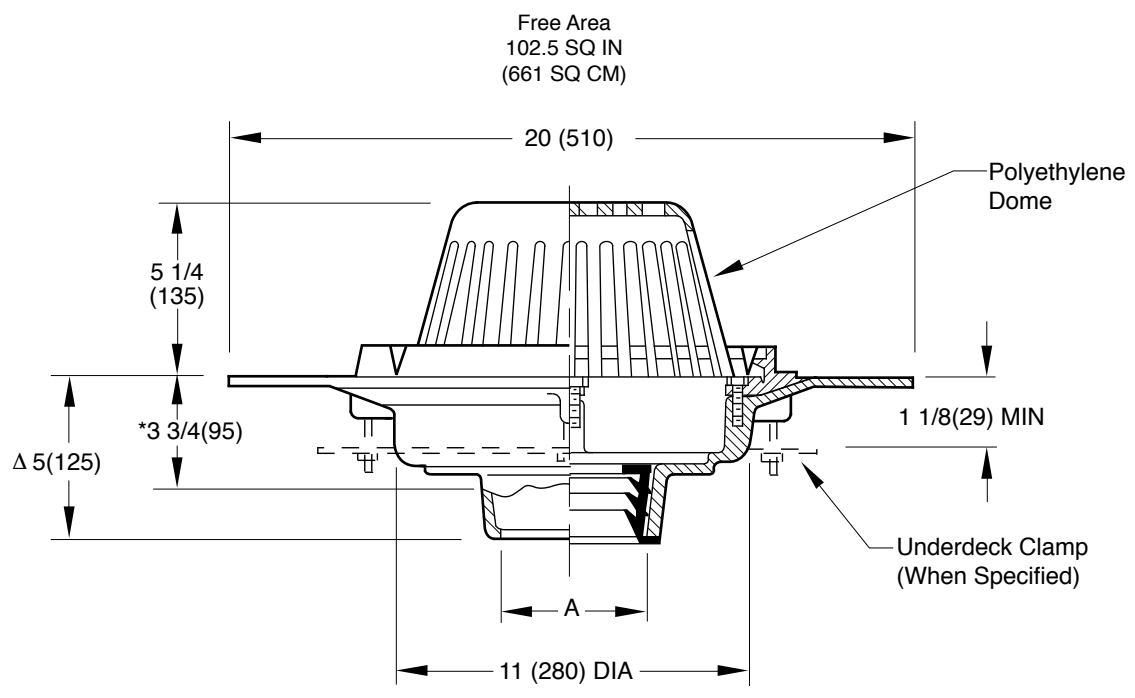


# GENERAL PURPOSE ROOF DRAINS

## WIDE FLANGE BODY WITH SECURED DOME

**FUNCTION:** For use in promenade roof deck and rooftop recreational areas where traffic bearing roof deck covering is to be applied. Drain body sump is protected from leaves, paper and other debris by large secured dome.



\*This Dimension to Internal Stop of Speedi-Set Gasket.

A (Pipe Size) = 02(50),03(75),04(100),05(125) or 06(150)

- Fig. DX1010C . . . . CAULK OUTLET
- Fig. DX1010Y . . . . NO-HUB OUTLET

**NOTE:** Stated flow rates for roof drains are based on particular test piping configurations and dimensions. Installed roof drain flow rates cannot be stated unless the attached piping configuration is known and the effects of the drainage calculated.

**REGULARLY FURNISHED:**  
 Duco Cast Iron Wide Flange Body with Combined Flashing Clamp and Gravel Stop with Polyethylene Dome.

Δ Same for Caulk, NO-HUB and Speedi-Set. 3 3/4(95) for Threaded  
 NOTE: Recommended deck opening 14(355) DIA.

**NOTE:** Dimensions shown in parentheses are in millimeters.

**VARIATIONS:**

- "L" Shaped Underdeck Clamp -CL
- L Speedi-Set Service Weight 02(50), 03(75) & 04"(100) sizes only
- LXH Speedi-Set Extra Heavy 02(50), 03(75) & 04"(100) sizes only
- Securing Holes -SH
- Underdeck Clamp -C
- Vandal Proof Dome -U
- T Threaded Outlet

**OPTIONAL MATERIALS:**

- ▲ Aluminum Dome -AD
- ▲ Cast Iron Dome -CID
- ▲ Galvanized Cast Iron Dome -CIDG
- Galvanized Cast Iron Body and Collar -G
- ▲ Rough Bronze Dome -RBD

▲ **Optional domes' free area are as follows:**  
 Aluminum 98 (632)  
 Cast Iron 80 (516)  
 Bronze 95 (613)

DRAWING NUMBER **SDX1010**  
 SIZE **A**  
 SCALE: **NONE**  
 DATE: **8-10-06**  
 APPROVED BY: **CL**  
 CHECKED BY: **CL**  
 DRAWN BY: **TBW**

WE CAN ASSUME NO RESPONSIBILITY FOR USE OF SUPERSEDED OR VOID DATA  
 DIMENSIONS ARE SUBJECT TO MANUFACTURERS TOLERANCE AND CHANGE WITHOUT NOTICE

**DX1010**

FIGURE NUMBER	<b>B</b>	12-2-15 06/01/09	Added Flow Rate Note Added Optional Dome Notes	TBW JJ	BW CL	WEIGHT POUNDS	VOLUME CUBIC FEET	FIGURE NUMBER
REV.	DATE	DESCRIPTION	BY	CKD. BY				<b>DX1010</b>