

SPECIFICATION:

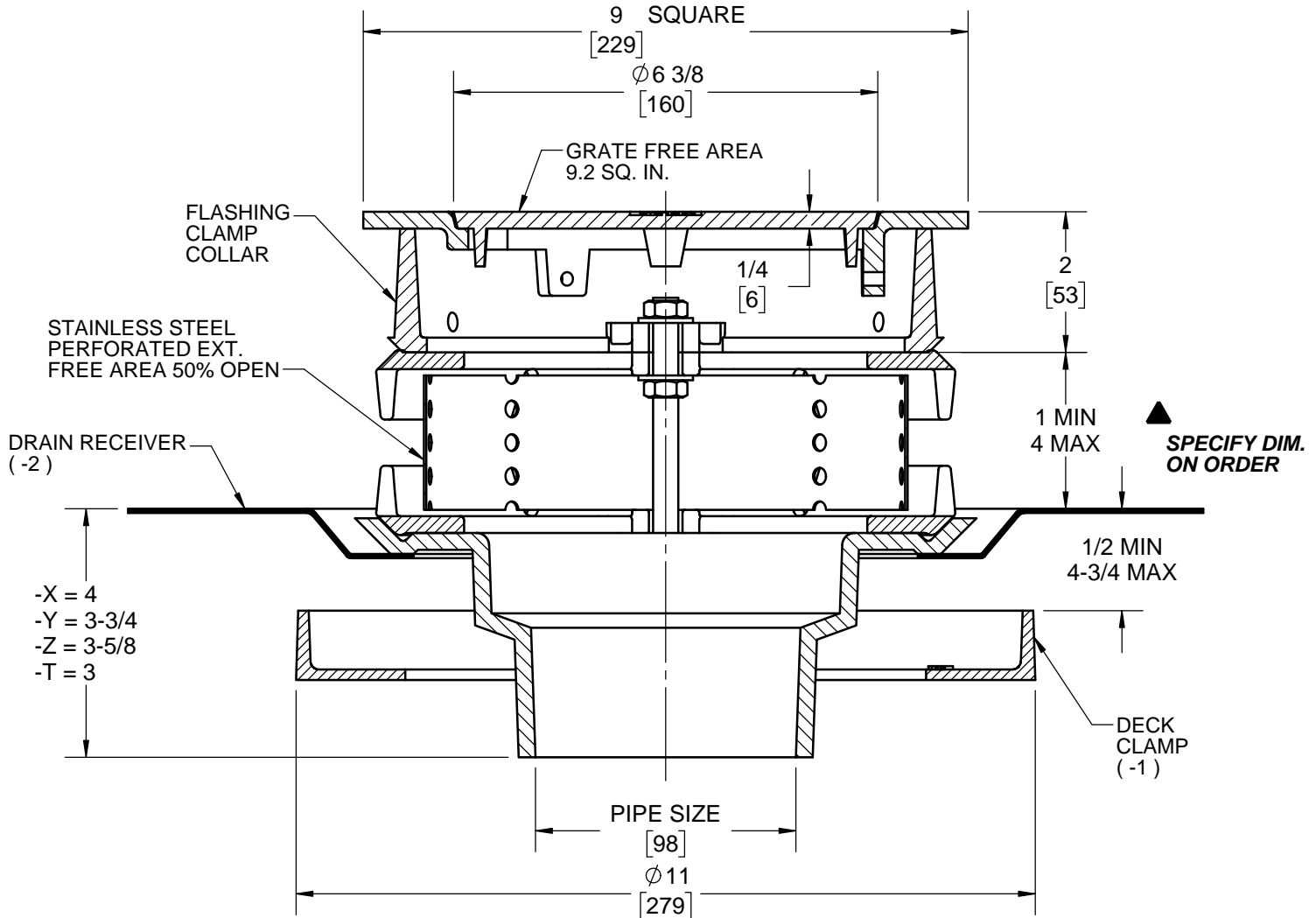
JOSAM SERIES 23730-IRMA COATED CAST IRON ROOF DRAIN, ROUND PEDESTRIAN GRATE SET IN SQUARE FRAME, PERFORATED STAINLESS STEEL EXTENSION FILTER, WEJLOC® NON-PUNCTURING FLASHING COLLAR WITH WEEP HOLES, SMALL SUMP WITH WIDE ROOF FLANGE AND BOTTOM OUTLET.

**ROOF DRAINS
PROMENADE TOP**

SERIES **23730-IRMA**

CONFORMS WITH ASTM - C564

SLOT WIDTH 1/4"
MEETS ADA AND HEEL-PROOF REQUIREMENTS



	2"	PIPE SIZE
	3"	PIPE SIZE
	4"	PIPE SIZE
	-50	SATIN FINISH NIKALOY TOP

	-T	THREADED OUTLET
	-X	INSIDE CAULK OUTLET
	-Y	HUB OUTLET WITH GASKET
	-Z	NO-HUB SPIGOT OUTLET

(SEE 23730 FOR ALL OTHER OPTIONS)

DATE OF LAST CHANGE: 6/27/18

DIMENSIONS ARE SUBJECT TO MANUFACTURERS TOLERANCES AND CHANGE WITHOUT NOTICE. WE CAN ASSUME NO RESPONSIBILITY FOR USE OF SUPERSEDED OR VOID DATA.

JOSAM
MICHIGAN CITY, INDIANA

NOTES

WARNING: Cancer and Reproductive Harm - www.P65Warnings.ca.gov