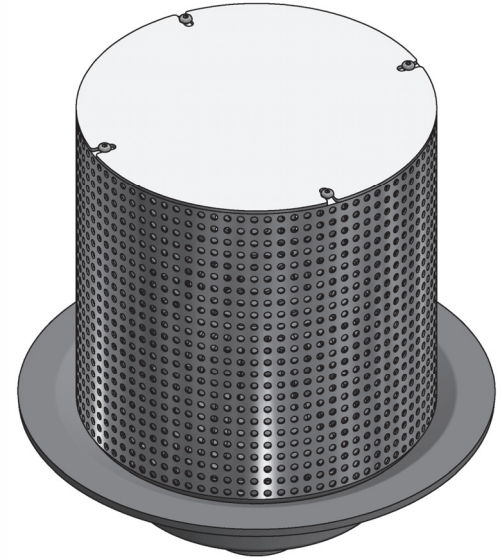
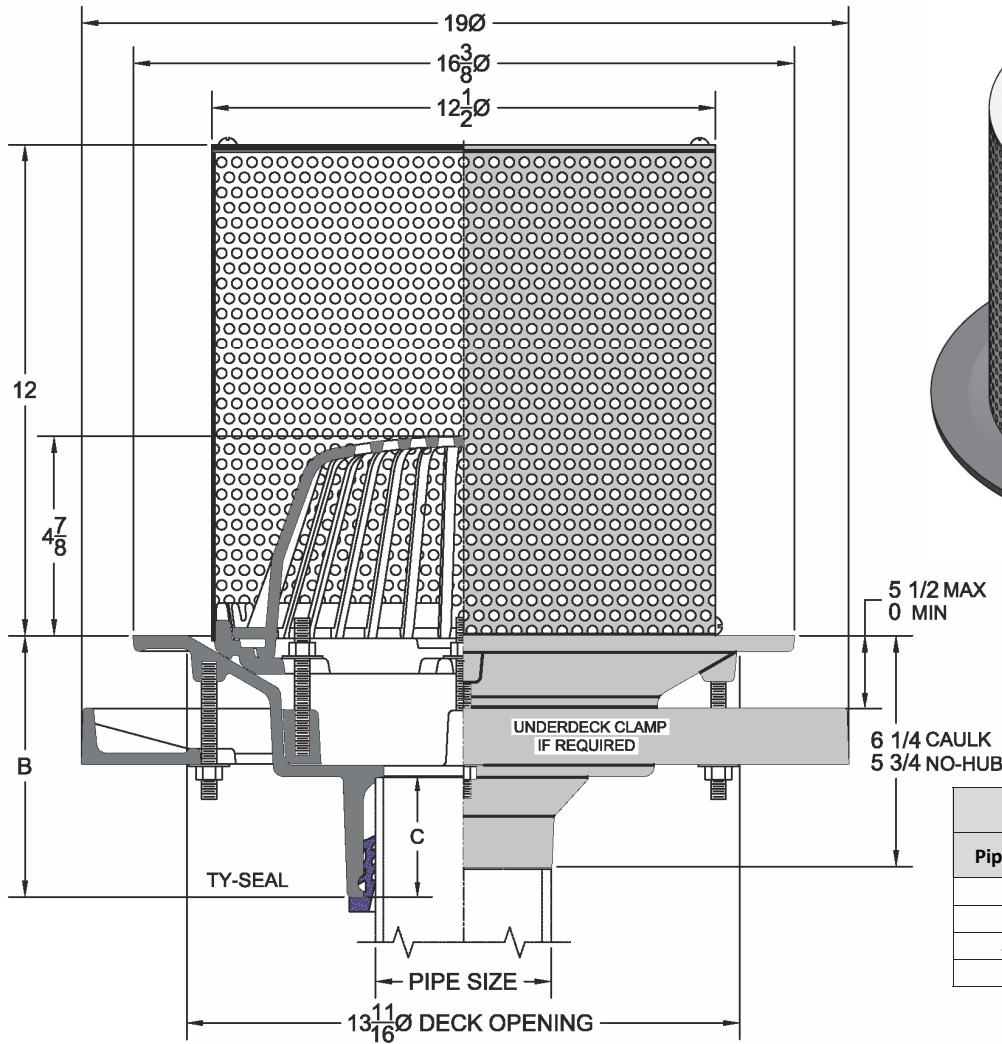


3350 16-3/8" Diameter Primary Planting Area Green Roof Drain

Project	Engineer	Mechanical
---------	----------	------------



3350-32-3NH

Dimensions (In.)		
Pipe Size	B	C
2"	6 3/8	2 1/2
3"	6 5/8	2 3/4
4"	6 7/8	3
6"	6 3/8	3

3350	-3	-32	-40	-42	-46
	Cast Iron Body with Rough Bronze Dome	Cast Iron Body with Poly Dome	Cast Iron Body with Galv. Cast Iron Dome	Cast Iron Body with Cast Iron Dome	Cast Iron Body with Aluminum Dome
•					

Regularly Furnished: Cast iron roof drain with flange, flashing ring, locking dome, stainless steel perforated extension with solid cover, mushroom dome and bottom outlet.

Suffix Options		
Suffix	Description	•
-ARC	Acid Resistant Coating	
-E	Elastomeric Flange*	
-SO	90 Degree Side Outlet (3NH,4NH,6NH*)	
-39	Galvanized Cast Iron	
-48	Flush Grate in Lieu of Dome*	
-52	Sump Receiver*	
-53	Under-Deck Clamp*	
-189	Bearing Pan w/ Clips & Securing Hardware*	

Optional Extensions			
Suffix	Description		•
-ADF	Adjustable Extension*	Painted	
		-39 Galvanized	
-AE	Adjustable Deck Riser*	Painted	
		-39 Galvanized	
-DF	Fixed Extension (1",2",3" or 4") *	Painted	
		-39 Galvanized	
-EB	Adjustable Drain Extension Pan*		

Outlet Variations		
Type	Designation	•
Inside Caulk	2IC,3IC,4IC,5IC,6IC	
No-Hub	2NH,3NH,4NH,5NH,6NH,8NH	
Push On Gasket	2TY,3TY,4TY,6TY(CI),6TX(PVC)	
Threaded	2IPS,3IPS,4IPS,5IPS,6IPS,8IPS	

*Dimensions vary from illustration