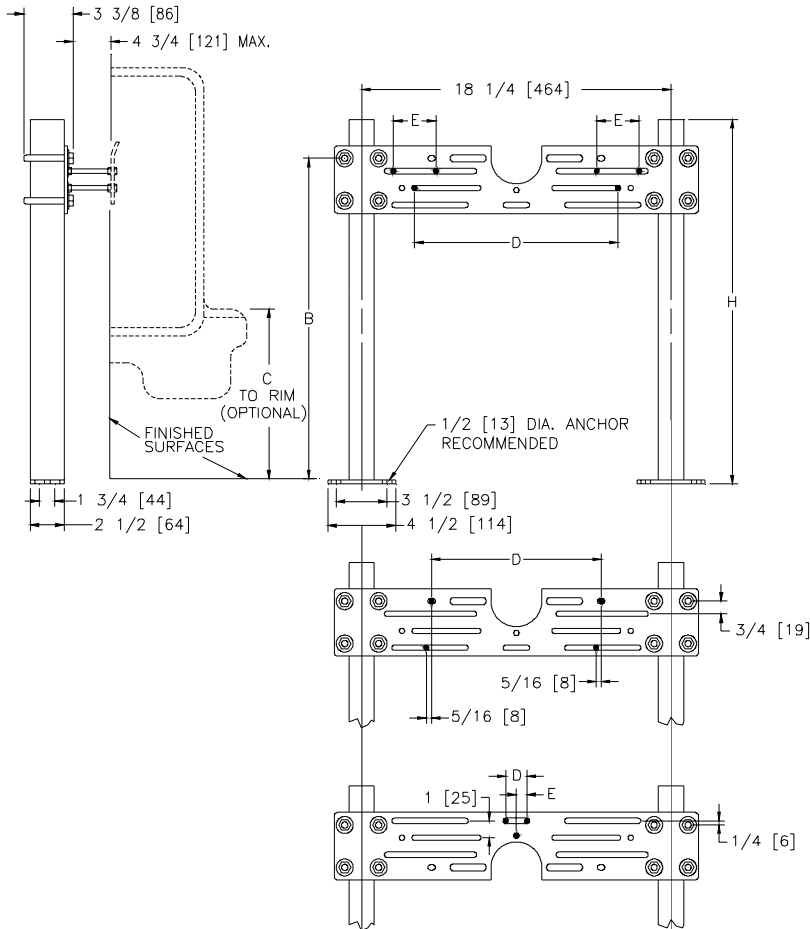




# Z1221 Universal Installation Sheet

Dimensional Data [ inches and [ mm ] ] are Subject to Manufacturing Tolerances and Change Without Notice



## PARTS LIST

- (1) #221 HARDWARE BAG (66955-221)  
CONTAINS:  
(1) UNIVERSAL PLATE  
55846-001  
(1) #240 HARDWARE BAG  
66955-240

FIX. NAME	FIX. NO.	B	C	D	E	DETAIL	H
<b>AMERICAN STANDARD</b>							
WASHBROOK	6501.010	39 3/4 [1010]	24 [610]	13 1/2 [343]	1 3/16 [30]	1	42
	6506.011	39 3/4 [1010]	24 [610]	13 1/2 [343]	1 3/16 [30]	1	42
	6515.125	39 1/2 [1003]	24 [610]	13 1/2 [343]	1 3/16 [30]	1	42
	6590.125	39 1/2 [1003]	24 [610]	13 1/2 [343]	1 3/16 [30]	1	42
	6590.525	39 1/2 [1003]	24 [610]	13 1/2 [343]	1 3/16 [30]	1	42
ALLBROOK	6541.132	31 3/4 [806]	24 [610]	1 3/16 [30]	1 9/32 [15]	3	36
TRIMBROOK	6561.017	38 3/8 [975]	24 [610]	11 [279]	1 3/16 [30]	1	42
<b>ELJER</b>							
CORRECTO	161-1030	40 1/8 [1019]	24 [610]	12 [305]	1 [25]	1	48
	161-1035	40 1/8 [1019]	24 [610]	12 [305]	1 [25]	1	48
	161-1045	40 1/8 [1019]	24 [610]	12 [305]	1 [25]	1	48
	161-1050	40 1/8 [1019]	24 [610]	12 [305]	1 [25]	1	48
	161-1060	40 1/8 [1019]	24 [610]	12 [305]	1 [25]	1	48
	161-1065	40 1/8 [1019]	24 [610]	12 [305]	1 [25]	1	48
	161-1075	40 1/8 [1019]	24 [610]	12 [305]	1 [25]	1	48
	161-1080	40 1/8 [1019]	24 [610]	12 [305]	1 [25]	1	48
	161-2030	40 1/8 [1019]	24 [610]	12 [305]	1 [25]	1	48
	161-2045	40 1/8 [1019]	24 [610]	12 [305]	1 [25]	1	48
SAVON	161-1090	36 1/2 [927]	24 [610]	11 [279]	1 [25]	1	42
	161-1095	36 1/2 [927]	24 [610]	11 [279]	1 [25]	1	42
TERMINAL	161-1100	34 5/8 [879]	25 1/2 [648]	9 1/2 [241]	1 [25]	1	42
DOVER	161-1150	33 1/8 [841]	24 [610]	6 [152]	1 [25]	1	36
	161-1155	33 1/8 [841]	24 [610]	6 [152]	1 [25]	1	36
BEDFORDSHIRE	161-1190	32 1/8 [816]	24 [610]	6 [152]	1 [25]	1	36
SIGNATURE	161-2090	36 1/2 [927]	24 [610]	11 [279]	1 [25]	1	42
	161-2095	36 1/2 [927]	24 [610]	11 [279]	1 [25]	1	42
<b>KOHLER</b>							
BARDON	K-4904-ET	41 1/4 [1048]	24 [610]	12 [305]	1 [25]	1	48
BARDON	K-4960	41 1/4 [1048]	24 [610]	12 [305]	1 [25]	1	48
<b>ZURN</b>							
URINAL	Z5730	31 3/4 [806]	24 [610]	1 [25]	1/2 [13]	3	36
SMALL PINT	Z5738	32 [813]	24 [610]	1 [25]	1/2 [13]	3	36
URINAL	Z5740	31 3/4 [806]	24 [610]	1 [25]	1/2 [13]	3	36
URINAL	Z5750	38 3/4 [984]	24 [610]	14 [356]	1 [25]	1	42
RETROPINT	Z5758	41 1/8 [1046]	24 [610]	14 [356]	1 [25]	1	48
RETROPINT	Z5759	41 1/8 [1046]	24 [610]	14 [356]	1 [25]	1	48
URINAL	Z5760	38 3/4 [984]	24 [610]	14 [356]	1 [25]	1	42
WATERLESS SMALL	Z5795	39 3/4 [1010]	24 [610]	14 [356]	1 [25]	1	42
WATERLESS	Z5796	30 7/8 [784]	24 [610]	1 [25]	1/2 [13]	3	36
"THE PINT"	Z5798	38 3/4 [984]	24 [610]	14 [356]	1 [25]	1	42
"THE PINT"	Z5799	38 3/4 [984]	24 [610]	14 [356]	1 [25]	1	42

Form # C1

Date: 5/14/10

C.N. No. 111122

Rev. K

ZURN INDUSTRIES, LLC. ♦ SPECIFICATION DRAINAGE OPERATION ♦ 1801 Pittsburgh Ave. ♦ Erie, PA 16514

Phone: 814/455-0921 ♦ Fax: 814/454-7929 ♦ World Wide Web: www.zurn.com

In Canada: ZURN INDUSTRIES LIMITED ♦ 3544 Nashua Drive ♦ Mississauga, Ontario L4V1L2 ♦ Phone: 905/405-8272 Fax: 905/405-1292