

# RETROFIT RING & DOME

## VERSATILE, EASY & QUICK REPLACEMENT FOR BROKEN OR MISSING ROOF DRAIN DOMES & RINGS

Ring is suitable to most standard four bolt pattern styles.

- Maximum drainage
- Strong, cast aluminum
- Low profile
- Bolt down security

### KEY FEATURE:

Aligning "Open V" channels of the Retrofit Base Ring to the scallop openings of the Retrofit Dome creates optimum drainage.

### RING FEATURES:



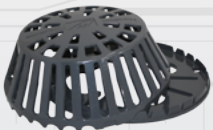
Strong Cast Aluminum with four pairs of bolt-down fins to align with most old drain bolt patterns that range from 6-1/2" to 11-3/4"



Shallow thickness of the ring creates a low profile fit to the deck to reduce barriers of drainage



Two opposite, slotted channels on the Dome that align with the Ring openings for "Twist-in-Place" attachment.



Tapped, extra strength lugs to accept the 2 hold-down bolts of the dome, allowing it to be firmly fixed in place to secure attachment



26 "V" channels cut into the ring perimeter to facilitate drainage

### DOMES FEATURES:



Broad 12" diameter dome for maximum drainage area



Low profile 5" overall height designed for stability, strength and handsome profile



Multiple openings matched to the base ring "V" grooves to maximize drainage



Twist-n-lock attachment, plus 2 bolts to secure to



### BEST DESIGN AVAILABLE!

OPTION #3 - (New Installation)  
FLEX COUPLING & CLAMPS

OPTION #1 - (Retrofit)  
NEW APPLICATION

COMPOSITE  
CLAMPING RING  
(Six bolt locations)

SINGLE-PLY  
FLASHING  
SINGLE-PLY  
MEMBRANE

VAPOR  
BARRIER  
METAL  
DECK

Cast Iron model available via special order

# RETROFIT RING & DOME

## BROKEN DRAIN RINGS? MISSING OR BROKEN STRAINER DOMES?

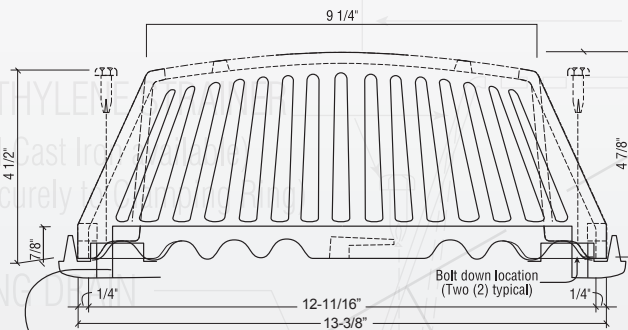
*It's always hard to find replacement units that fit properly on old roof drain openings...*

**Now you can replace old or broken drain rings & domes with Marathon's Retrofit Ring & Dome System!**

- The Retrofit Ring & Dome will match up to most old style existing drains.
- Designed for re-roofing applications when a clamping ring is important to secure single-ply and two ply membranes in waterproof roof systems.
- By aligning Marathon's Retrofit Ring over the existing bolt holes in the old drain body & installing the new hold-down bolts with washers, the difficult problem of replacing matching domes is resolved.
- Ring and Dome may be purchased separately or in combination. Together they offer a positive fit with locked in and bolt-down features.

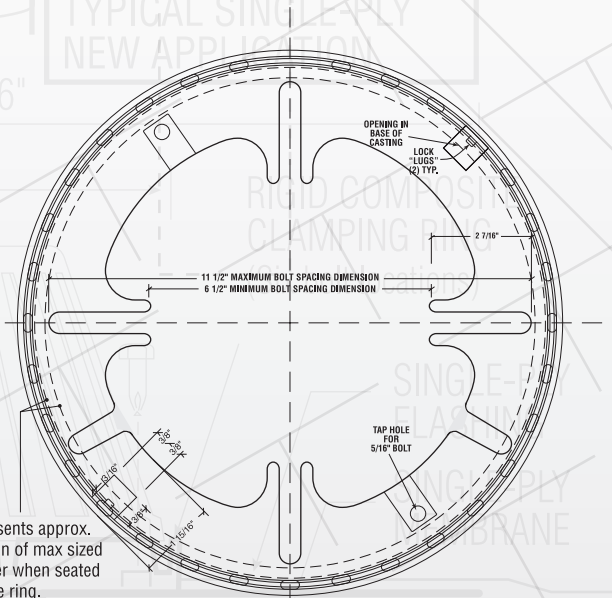
### SPECIFICATIONS:

#### Strainer Elevation



Line represents section of base ring showing location of 5/16" tapped hole for bolt down of strainer.

#### Bolt Down Base Ring



Represents approx. location of max sized strainer when seated in base ring.



**Additional wide selection of strainers available in aluminum, cast iron and plastic. Sizes range from 2" to 14" diameter. Many styles can be outfitted with expandable scissors to make positive attachment to drain pipe.**