

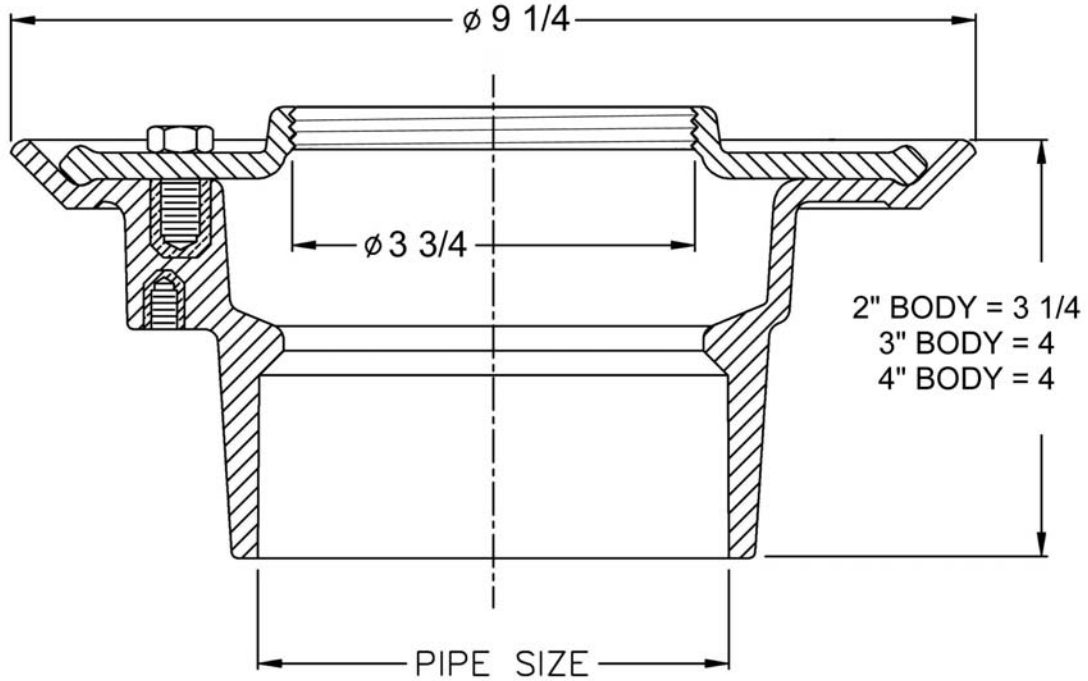
SPECIFICATION:

JOSAM 30000-PVC SERIES PVC FLOOR DRAIN, TWO-PIECE BODY WITH DOUBLE DRAINAGE FLANGE, 1/2" PRIMER TAP WITH PLUG, WEJLOC INVERTIBLE NON-PUNCTURING FLASHING COLLAR WITH WEEPHOLES, SOLVENT WELD BOTTOM OUTLET FOR SCHEDULE 40 PVC PIPE, AND THREADED TO RECEIVE ALL JOSAM ADJUSTABLE STRAINERS.

FLOOR DRAIN

PVC

SERIES **30000-PVC**



OPTIONS:

2"	PIPE SIZE - 30002-PVC
3"	PIPE SIZE - 30003-PVC
4"	PIPE SIZE - 30004-PVC
-MD	PVC CLAMP COLLAR WITH 3" SOCKET
-49	3/4" PRIMER TAP

WARNING: Cancer and Reproductive Harm - www.P65Warnings.ca.gov

DATE OF LAST CHANGE: 7/03/18

DIMENSIONS ARE SUBJECT TO MANUFACTURERS TOLERANCES AND CHANGE WITHOUT NOTICE. WE CAN ASSUME NO RESPONSIBILITY FOR USE OF SUPERSEDED OR VOID DATA.



MICHIGAN CITY, INDIANA

NOTES