

## PERFECT SEAL® TOILET WAX RING WITH BOLTS

### SPECIFICATION

Perfect Seal® toilet wax ring works on any floor-mounted toilet in any installation with no mess! It obsoletes traditional wax rings and allows for easy installation.

### DESIGN FEATURES

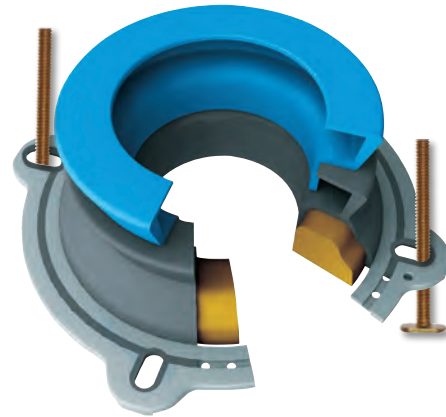
- No mess
- Creates a permanent gas, odor and watertight seal
- Guaranteed to work with any toilet installation
- Creates the Perfect Seal® for any flange height (1/2" above floor to 1-1/2" below floor)
- Seals if there is movement in the toilet or floor
- Works with any drain size
- Increased sealing surface creates 3X stronger seal than wax rings
- Toilet can be repositioned as needed
- Stabilizes bolts
- TOILET BOLTS INCLUDED: Complete toilet install kit includes (2) stabilizing toilet bolts, washers and nuts

### CAUTION

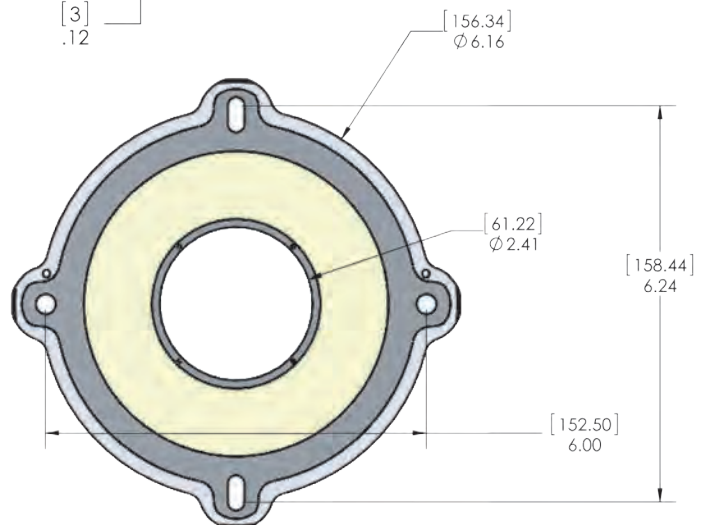
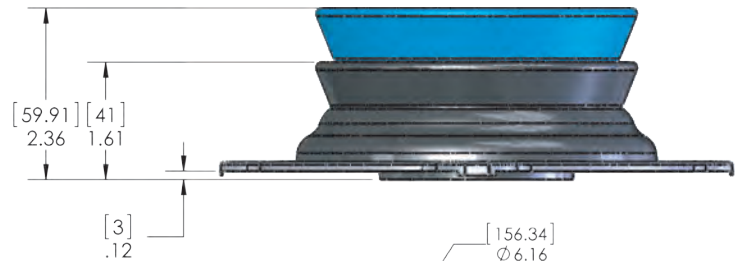
- Melting point: 160°F

### OPERATING SPECIFICATION

- Temperature: 40-150°F
- Pressure: 10 PSI max



PART NUMBER	DESCRIPTION
9D0010826X	Perfect Seal® Toilet Wax Ring with Bolts

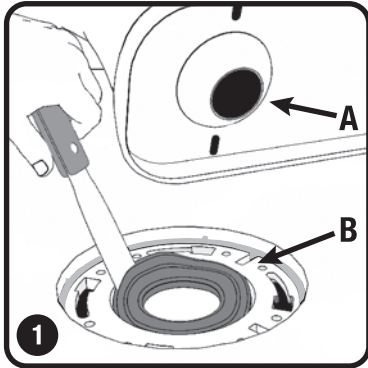


Product Submittal	
Job Name:	Date:
Part Number:	Quantity:
Architect:	
Contractor:	

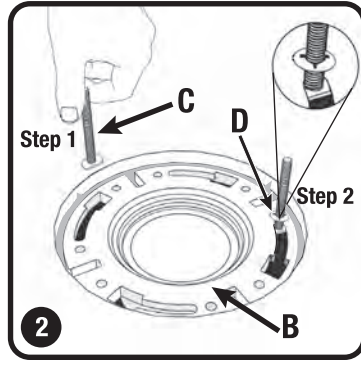
Content matter is subject to change at any time. It is the user's responsibility to ensure the most updated revisions are obtained. 4/2022

## PERFECT SEAL® INSTALLATION INSTRUCTIONS

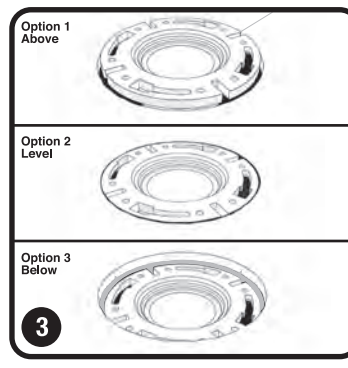
Needed	Included	
Putty Knife	C: Bolts (2)	E: Blue Adapter (1)
Saw	D: Plastic Washers (2)	F: Perfect Seal® (1)
Wrench		G: Plastic Insert (1)
		H: Hex Nuts (2)
		I: Metal Washers (2)



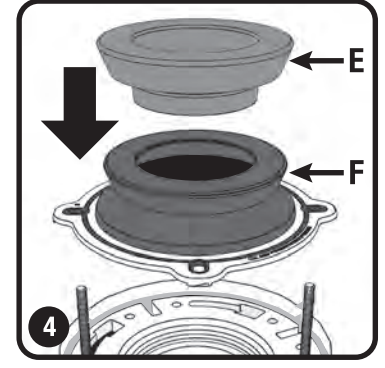
1 Clean toilet horn (A) and floor flange (B) of all wax residue.



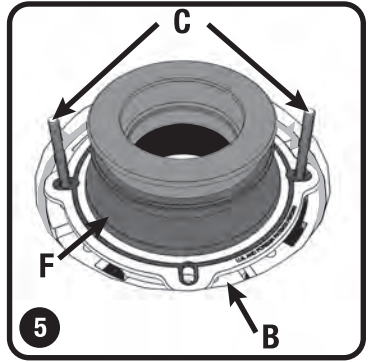
2 Step 1: Insert bolts (C) into flange (B).  
Step 2: To stabilize bolts, place plastic washers (D) to base of bolts.



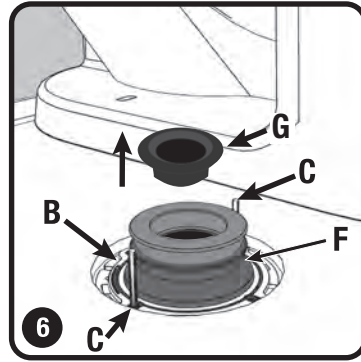
3 Select the image above that looks most like your flange.



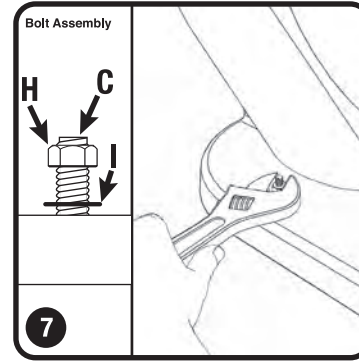
4 If Option 1 or 2 (flange Above or Level with the floor), blue adapter (E) is not required.  
If Option 3 (flange Below floor), use blue adapter (E).  
**Note:** Remove the waxed paper from base.



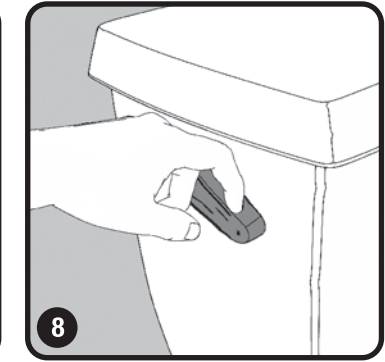
5 Install Perfect Seal® (F) piece(s) over bolts (C) onto flange (B).




6 Align toilet over bolts (C) and press toilet firmly onto floor. The wax inside the product will adhere to the floor flange (B).  
**Note:** Toilet can be repositioned on seal, if needed, unlike with traditional wax rings. If the toilet doesn't sit flush on the floor, remove the black round plastic insert (G) from inside the Perfect Seal® (F) and reset.



7 Place metal washers (I) over bolts (C) and tighten nuts (H) (careful not to overtighten). Trim toilet bolts flush to the top of bolt. Cover with toilet bolt caps. **Do not overtighten: Bowl or closet flange may crack.**



8 Install supply line and turn on water. Flush toilet and inspect for leaks.

**Warning**  Note: if closet flange, is cracked or damaged, flange must be repaired before installing product. Do not use sealants.