

M

DRAWING NUMBER  
S4031

SIZE  
A

SCALE:  
NONE

DATE:  
2-16-70

APPROVED BY:  
JM

CHECKED BY:  
BH

DRAWN BY:  
RK

4031 SERIES

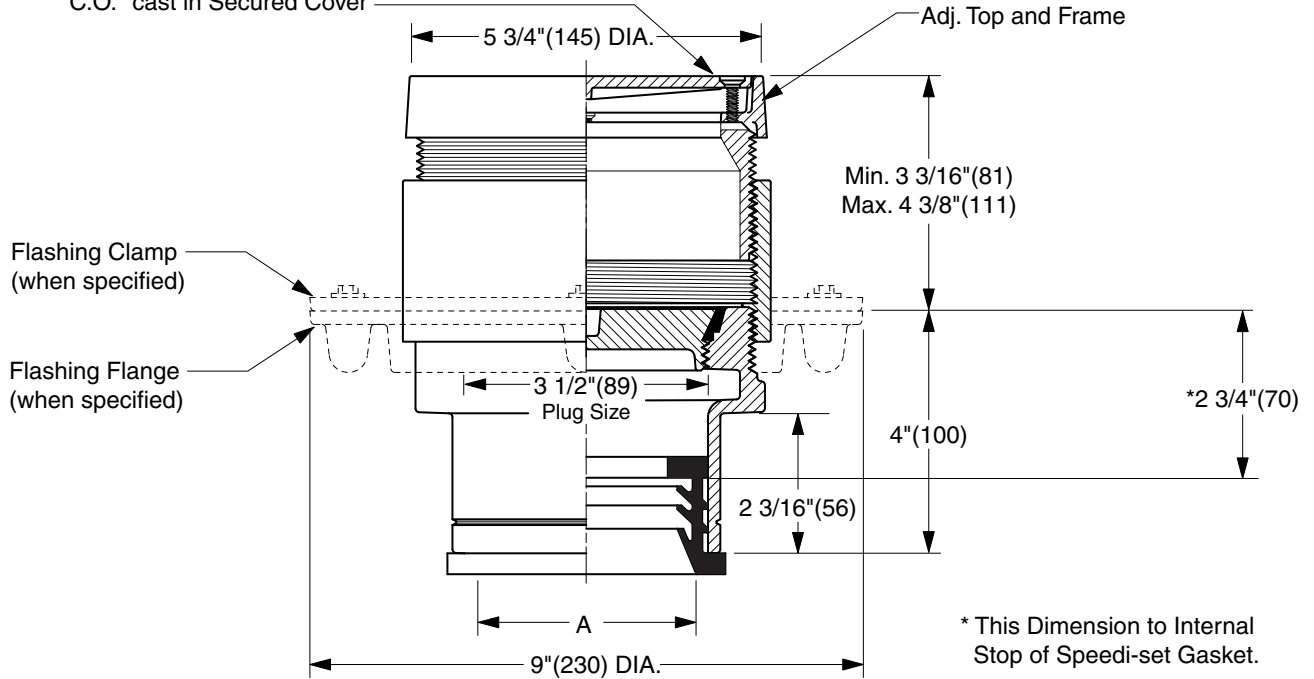
WE CAN ASSUME NO RESPONSIBILITY FOR USE OF SUPERSEDED OR VOID DATA

DIMENSIONS ARE SUBJECT TO MANUFACTURERS TOLERANCE AND CHANGE WITHOUT NOTICE

# FINISHED FLOOR CLEANOUTS WITH "TWIS-TO-FLOOR®" ADJUSTABLE TOPS

## ROUND NICKEL BRONZE TOP

**FUNCTION:** For use in finished floors bearing foot and medium load wheeled traffic. Allows for easy floor level adjustment.  
 "C.O." cast in Secured Cover



\* This Dimension to Internal Stop of Speedi-set Gasket.

**NOTE:** For applications using core drilling, the largest diameter of the cleanout assembly is 6 5/16" (160).

"A" (Pipe Size) = 02(50), 03(75) or 04(100)

- Fig. 4031L.....Gasket Seal - ABS Plug
- Fig. 4032L.....Gasket Seal - Bronze Plug
- Fig. 4033L.....Taper Thread - Bronze Plug
- Fig. 4034L.....Taper Thread - ABS Plug

(Twis-to-Floor® design shown with gasketed plug.)

**NOTE:** Dimensions shown in parentheses are in millimeters.

**REGULARLY FURNISHED:**

Duco Cast Iron Cleanout with Round Adjustable Scoriated Secured Nickel Bronze Top. Closure Plug Type as Indicated By Figure Number Selected.

▲ Available in Extra Heavy, Service Weight or NO-HUB.

**VARIATIONS:**

- Flashing Flange -F
- Flange with Flashing Clamp -F-C
- Carpet Clamping Type -X
- Carpet Marker Type -Y
- Vandal Proof Top -U
- Wide Flange (DX)
- SMITH+GARD® Protective Cover for Round Cleanout Covers up to 7"- 9912

**OPTIONAL MATERIALS:**

- Galvanized Cast Iron -G
- Polished Bronze Top -PB

REV.	DATE	DESCRIPTION	BY	CKD. BY	WEIGHT POUNDS	VOLUME CUBIC FEET	FIGURE NUMBER
M	12-18-08	Revised Variations	RN	BW			<b>4031 SERIES</b>
L	12/17/04	Added Core-Drilling Note	JJ	CL			
K	07/26/02	Corrected Clamp & Flange view	JJ	JJ			
J	04/12/01	Added dimension and note	JJ	CL			



**JAY R. SMITH MFG. CO.**  
 DIVISION OF SMITH INDUSTRIES, INC.  
 POST OFFICE BOX 3237  
 MONTGOMERY, ALABAMA 36109-0237 (USA)  
 TEL: 334-277-8520 FAX: 334-272-7396 www.jrsmith.com

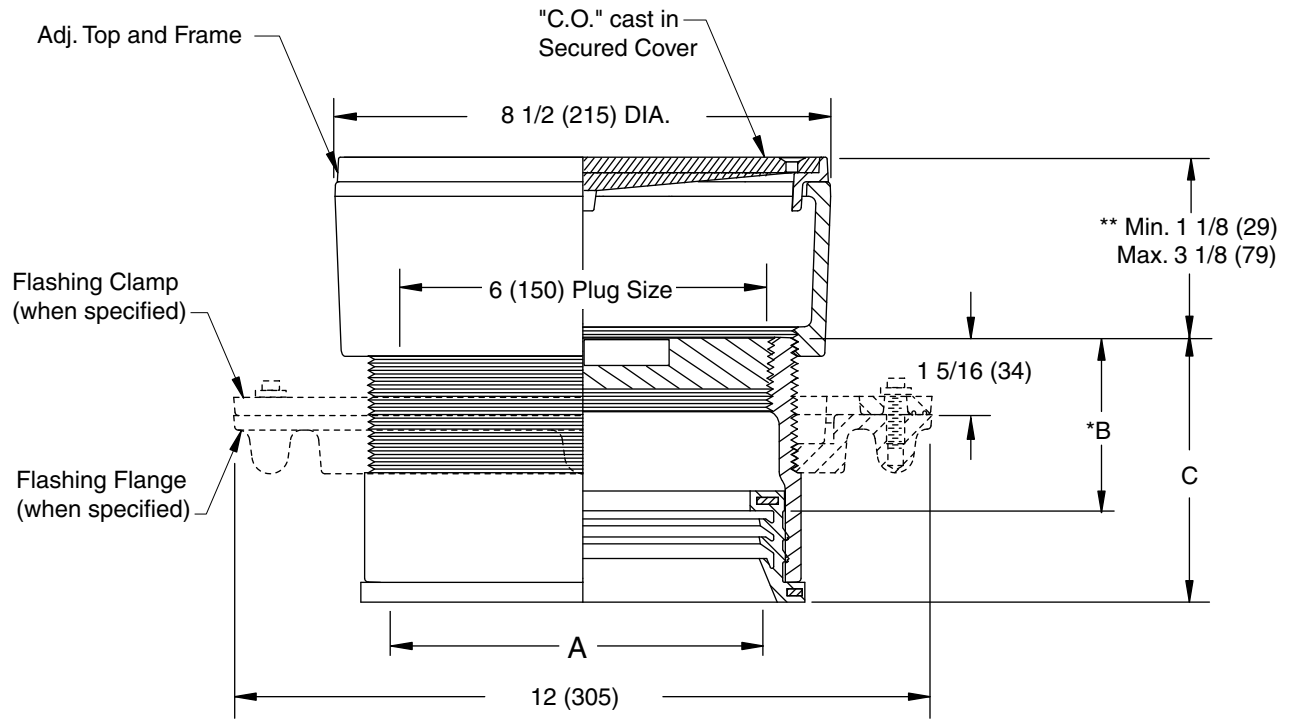


LOCATION

# FINISHED FLOOR CLEANOUTS WITH "TWIS-TO-FLOOR" ADJUSTABLE TOPS

## ROUND NICKEL BRONZE TOP

**FUNCTION:** For use in finished floors bearing foot and medium load wheeled traffic. Allows for easy floor level adjustment.



### SPEEDI-SET OUTLET ▲

"A" (Pipe Size) = 06(150) & 08(200)

A SIZE	B	C
06(150)	*3(76)	4 9/16(117)
08(200)	*3 1/4(83)	4 13/16(121)

- ▲ Available in "L" Service Weight, "LXH" Extra Heavy or "LPVC" PVC or ABS. "LPVC" applicable to 06(150) Pipe Size only.
- \* This Dimension to Internal Stop of Speedi-Set Gasket.
- \*\* When Flange-F is specified Min. 1 1/8 (29) becomes 1 5/8 (41)

### "TWIS-TO-FLOOR" ADJUSTMENT

#### SPEEDI-SET OUTLET ▲

Fig. 4033L.....Taper Thread - Bronze Plug

#### REGULARLY FURNISHED:

Duco Cast Iron Cleanout with Taper Thread Bronze Plug and Round Adjustable Scoriated Secured Nickel Bronze Top.

#### VARIATIONS:

- Flashing Flange -F
- Flange with Flashing Clamp -F-C
- Carpet Clamping Type -X
- Carpet Marker Type -Y
- Vandal Proof Top -U
- Wide Flange (DX)

#### OPTIONAL MATERIALS:

- Galvanized Cast Iron -G
- Polished Bronze Top -PB

**NOTE:** Dimensions shown in parentheses are in millimeters.

DRAWING NUMBER  
S4031BS

SIZE  
A

SCALE:  
NONE

DATE:  
5-5-06

APPROVED BY:  
CEL

CHECKED BY:  
CL

DRAWN BY:  
RN

FIGURE NUMBER  
4033

WE CAN ASSUME NO RESPONSIBILITY FOR USE OF SUPERSEDED OR VOID DATA

REV.	DATE	DESCRIPTION	BY	CKD. BY

WEIGHT POUNDS	VOLUME CUBIC FEET

**FIGURE NUMBER**  
4033