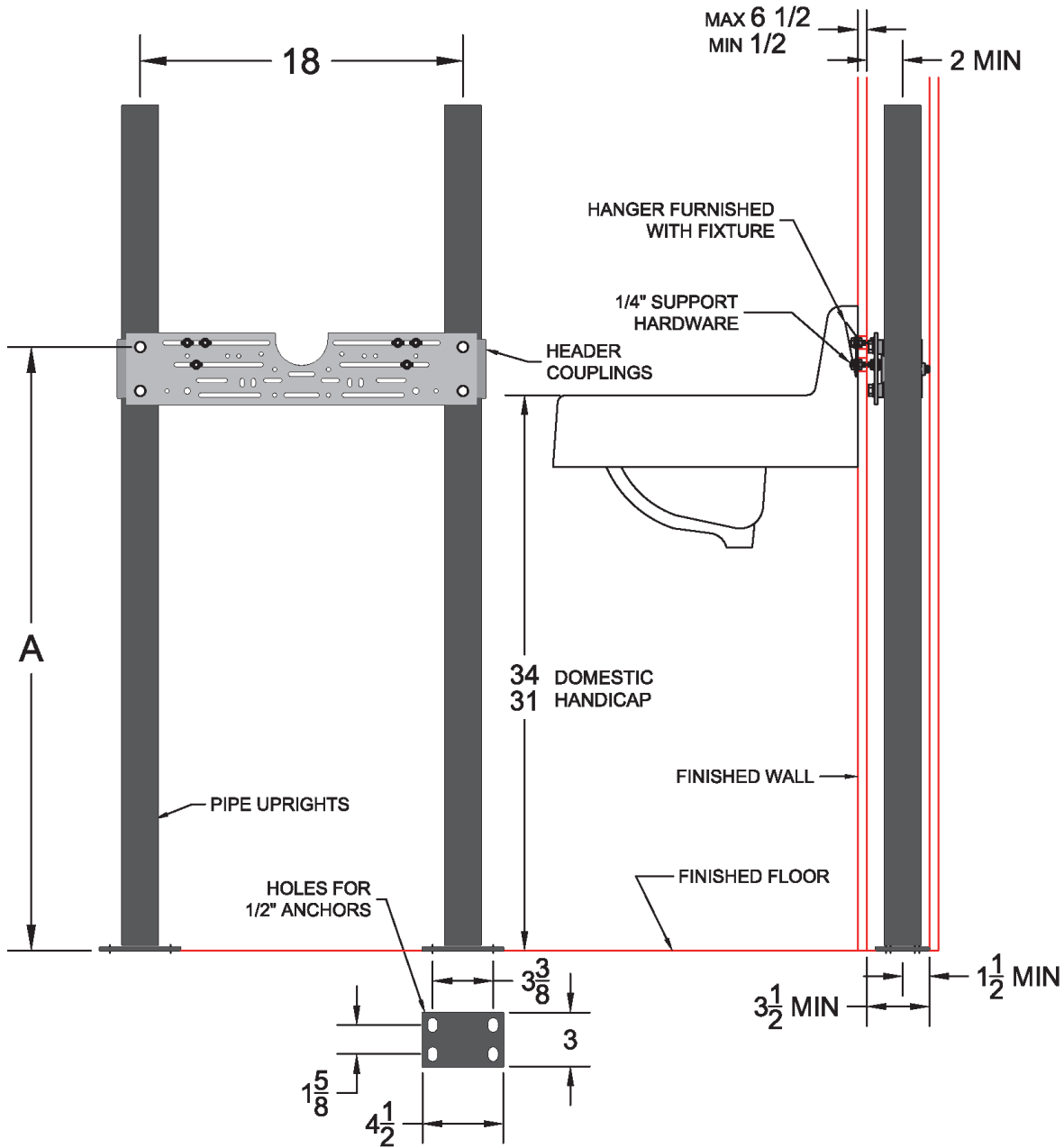


404 Lavatory Carrier

Project	Engineer	Mechanical
---------	----------	------------

Conforms to ASME A112.6.1M Type III Lavatory Carrier—Max Load Test 200 Lbs.



Model	Configuration	•
404	Single	
404-CL	Single (Corner Lavatory)	
404-D	Double (Back to Back)	
405	Single w/ Lower Support Plate	
405-D	Double w/ Lower Support Plate	

Suffix Options		
Suffix	Description	•
-AM27	Valve Support*	
-M3	Vandal Proof Finish Hardware	
-M4	Longer Hardware for Thicker Walls (Per Inch)	
-M18	Extra Long Uprights*	
-M36	Rectangular Uprights	

Regularly Furnished: Plate type lavatory carrier with round, steel uprights, single bearing plate and rectangular base feet.

*Dimensions vary from illustration