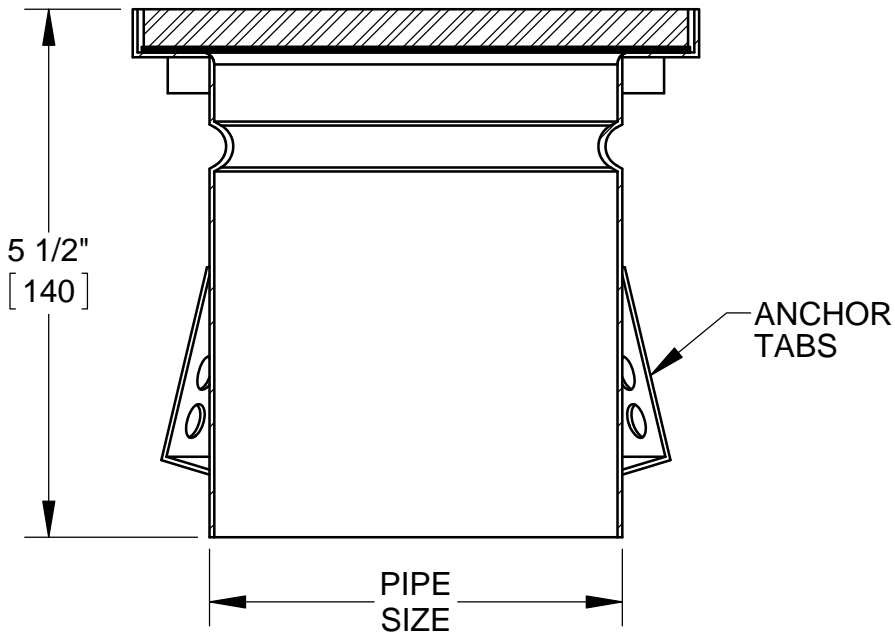
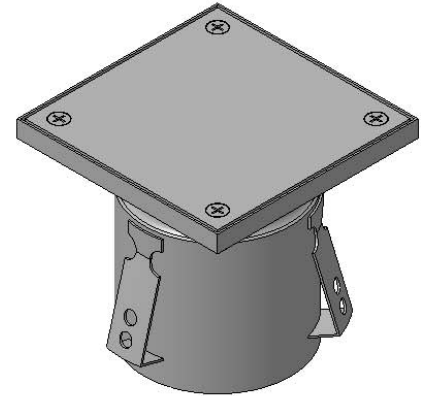
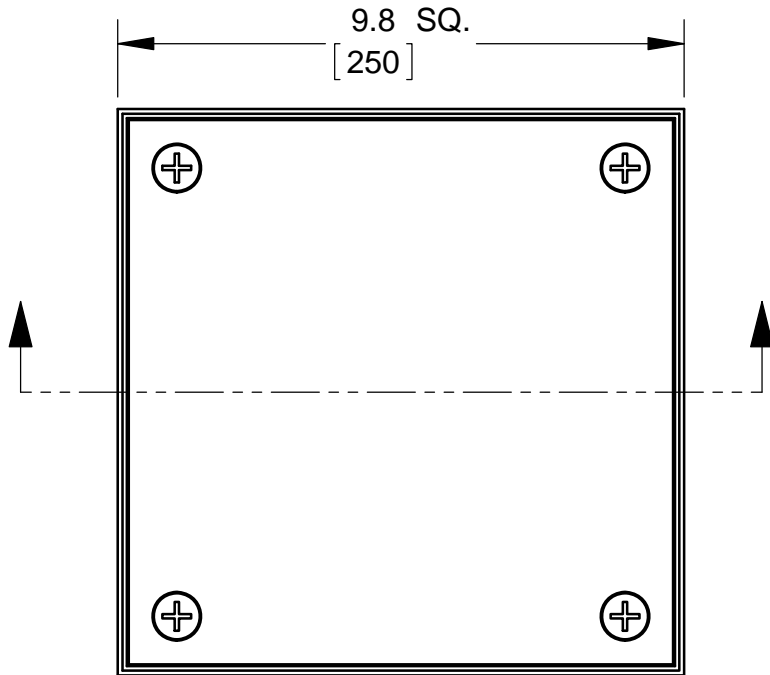


**SPECIFICATION:**

JOSAM SERIES 41500 FABRICATED STAINLESS STEEL (TYPE 304),  
 10" SQUARE TOP, NO-HUB BOTTOM OUTLET, AND SMOOTH  
 SECURED COVER WITH GASKET.

**SS CLEANOUT  
 SQUARE TOP**

SERIES **41500**



**OPTIONS:**

-DP	DIAMOND PLATE COVER
-IP	INTERNAL PLUG, GASKETED
-BW	BUTT-WELD OUTLET
-PFO	PUSH-FIT OUTLET SIZE

MODEL	PIPE SIZE
41504	4"
41506	6"
41508	8"

DATE OF LAST CHANGE: 02/04/14

DIMENSIONS ARE SUBJECT TO MANUFACTURERS  
 TOLERANCES AND CHANGE WITHOUT NOTICE.  
 WE CAN ASSUME NO RESPONSIBILITY FOR  
 USE OF SUPERSEDED OR VOID DATA.

**JOSAM COMPANY**  
 MICHIGAN CITY, INDIANA

NOTES