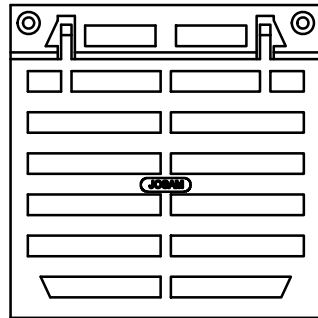


**SPECIFICATION:**

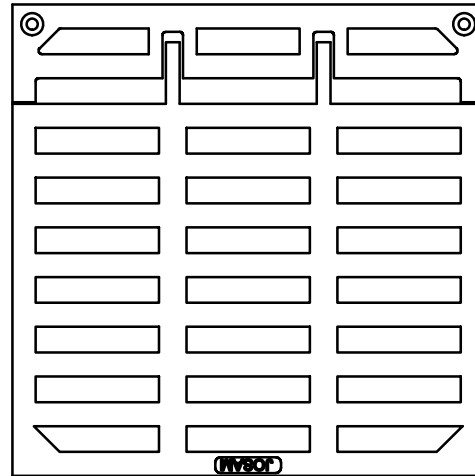
JOSAM SERIES "T" ADJUSTABLE SATIN FINISH NIKALOY SQUARE STRAINER WITH HINGED GRATE, THREADED WITH JOSAM ADJUSTABLE STRAINER THREAD. GRATE MEETS ADA REQUIREMENTS.

**FLOOR DRAIN  
ADJUSTABLE STRAINER**

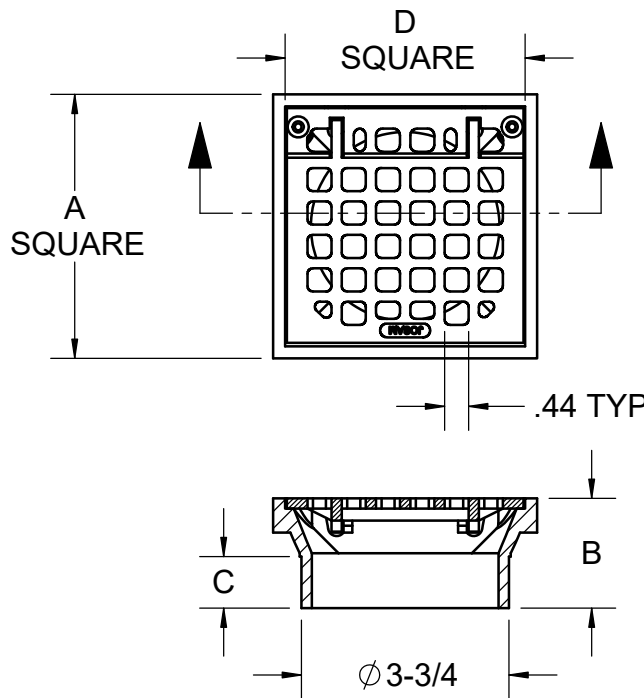
SERIES **T**



**6T GRATE  
(3/8" SLOT WIDTH)**



**9T GRATE  
(1/2" SLOT WIDTH)**



**5T GRATE  
(7/16" SLOT WIDTH)**

**OPTIONS:**

				<b>STRAINER</b>	<b>A</b>	<b>B</b>	<b>C</b>	<b>D</b>	<b>FREE AREA</b>
-2	BRONZE ADJUSTABLE STRAINER								
-80	PERFORATED STAINLESS STEEL BASKET			-5T	4-13/16	2	7/8	4-3/8	6.5
-J	BACKWATER VALVE			-6T	6	2	3/4	5-5/8	8.3
-SC	SOLID COVER ( 6T ONLY ) (WAS -Q166)			-9T	9	2-7/16	1	8-5/8	28.6
-VP	SECURED GRATE, VANDAL-PROOF SCREWS								
-SS	STAINLESS STEEL (6T-SC ONLY)								
-TSI	TRAP SEAL INSERT								

DATE OF LAST CHANGE: 03/13/19

DIMENSIONS ARE SUBJECT TO MANUFACTURERS TOLERANCES AND CHANGE WITHOUT NOTICE. WE CAN ASSUME NO RESPONSIBILITY FOR USE OF SUPERSEDED OR VOID DATA.



MICHIGAN CITY, INDIANA

NOTES