

Location: \_\_\_\_\_

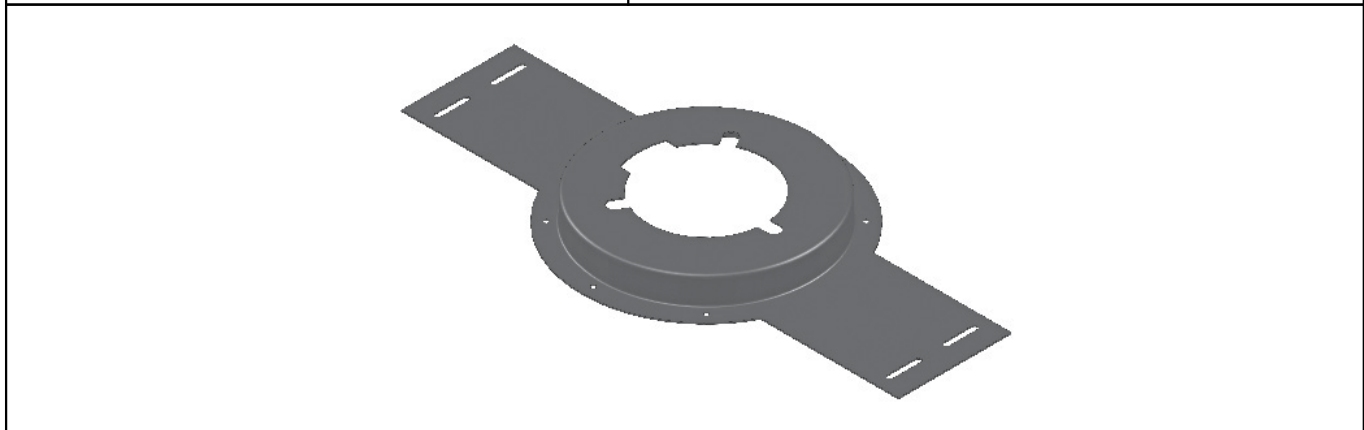
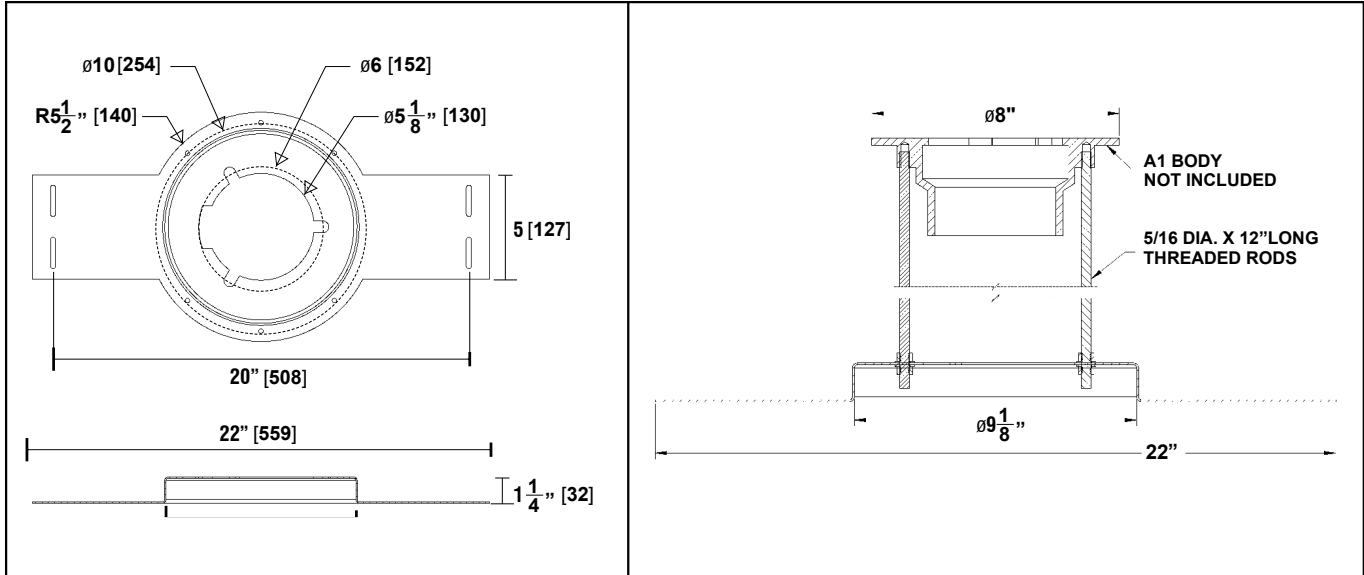


# F1910

## FLOOR DRAIN INSTALLATION STABILIZING PLATE WITH FLANGE - FOR A1 BODIES

**Specification:** MIFAB® F1910 floor drain stabilization plate manufactured out of 16 gauge galvanized, acid resistant, epoxy coated steel. The plate is 8" in diameter by 1 1/2" high with a variable pipe opening, three support stud holes, three nail holes, three pieces of 5/16" diameter x 12" long threaded support rods and a 20" wide flange.

**Function:** To support MIFAB's A1 Series of 2", 3" and / or 4" outlet connection modular floor drain, area drain, cleanout and small roof drain body off the slab or deck. The 20" wide flange provides additional support to secure the plate to the deck.



MODEL NUMBER	PIPE SIZE	PIPE OPENING DIAMETER
F1912	2"	2 9/16"
F1913	3"	3 11/16"
F1914	4"	4 11/16"

CALIFORNIA PROPOSITION 65 WARNING. This product contains chemicals known to the State of California to cause cancer and birth defects or other reproductive harm.

Job Name: \_\_\_\_\_ Page No: \_\_\_\_\_  
 Section No: \_\_\_\_\_ Contractor: \_\_\_\_\_  
 Schedule No: \_\_\_\_\_ Purchase Order No: \_\_\_\_\_