

Sentinel Mark II® Trim, Shower and Tub Combination (Valve not included)

FEATURES:

- CPT-3001: Shower Valve Trim
- S-2272-E2: Shower Head 2.0 GPM (7.6 L/min) flow rate
- S-2500: Shower Arm & Flange
- S-1556: Diverter Tub Spout

VALVE OPTIONS:

- CPV-PB: Pressure Balance Valve
Sweat & Thread Connections
- CPV-PB-PXC: Pressure Balance Valve
PEX F1807 Crimp Inlet Connections
- CPV-PB-PXE: Pressure Balance Valve
PEX F1960 Cold-Expansion Inlet Connections
- CPV-T2: Thermostatic Valve
Sweat & Thread Connections
- CPV-T2-PXC: Thermostatic Valve
PEX F1807 Crimp Inlet Connections
- CPV-T2-PXE: Thermostatic Valve
PEX F1960 Cold-Expansion Inlet Connections

STOCK FINISHES:



PC

STANDARDS:

- ASME A112.18.1/CSA B125.1 certified
- WaterSense certified shower head
- ADA compliant

WARRANTY:

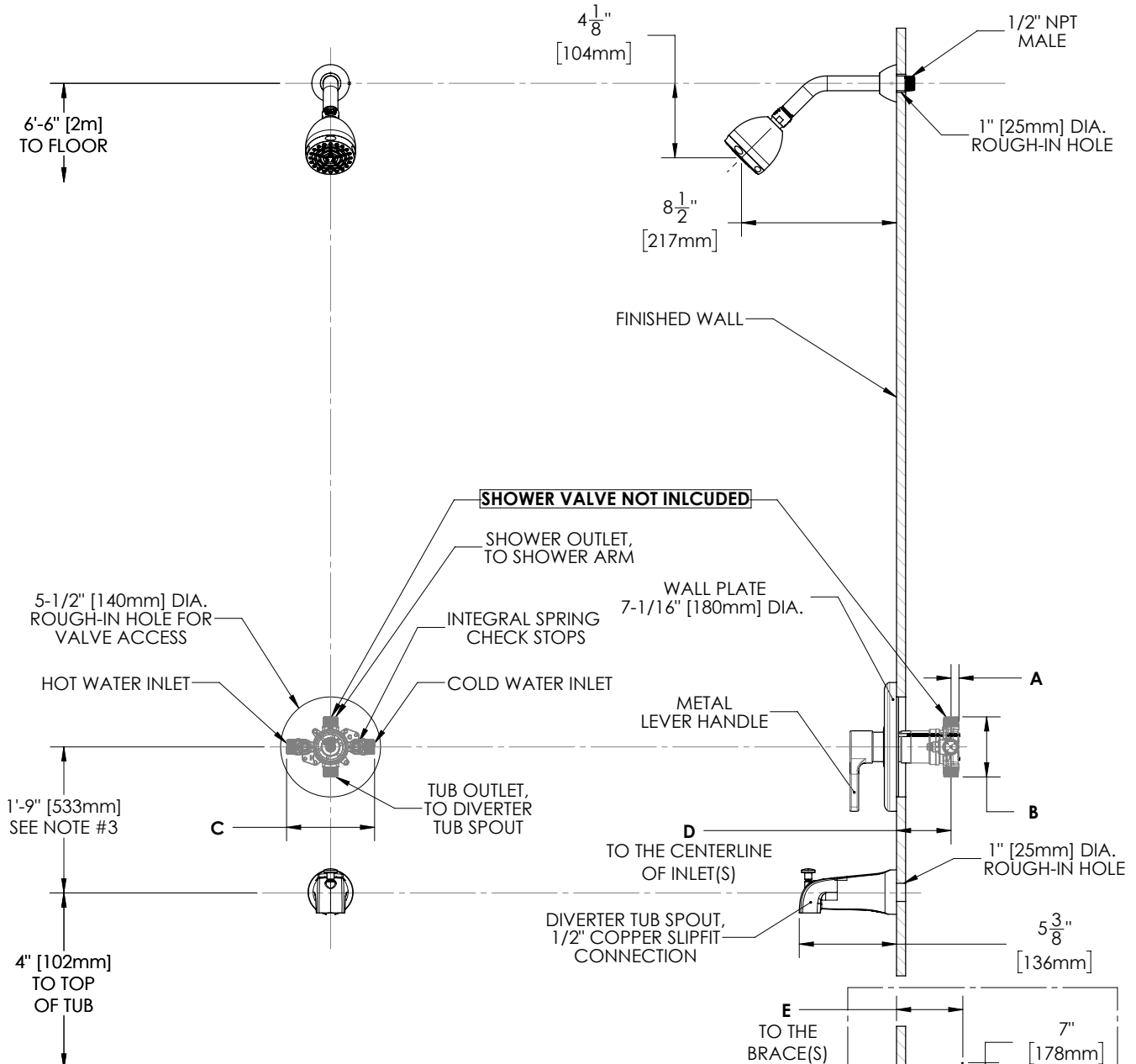
Visit www.speakman.com for full product warranty information

- See Speakman.com For Warranty Information



Information continues on next page

Sentinel Mark II® Trim, Shower and Tub Combination (Valve not included)



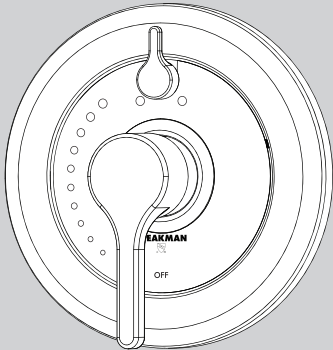
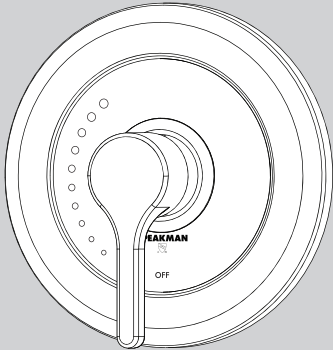
NOTES:

1. ALL DIMENSIONS ARE IN INCHES [MILLIMETERS] UNLESS OTHERWISE SPECIFIED AND ARE SUBJECT TO CHANGE WITHOUT NOTICE.
2. FOR ADA MOUNTING LOCATIONS CONSULT ADAAG, ANSI A117.1, OR STATE REGULATIONS.

DIMENSION	CPV-PB	CPV-T2	CPV-PB-PXC	CPV-PB-PXE	CPV-T2-PXC	CPV-T2-PXE
A	7/16" (11mm)	1/2" (12mm)	7/16" (11mm)	7/16" (11mm)	1/2" (12mm)	1/2" (12mm)
B	3-5/16" (84mm)	3-1/2" (89mm)	3-5/16" (84mm)	3-5/16" (84mm)	3-1/2" (89mm)	3-1/2" (89mm)
C	4-13/16" (123mm)	5-7/8" (150mm)	4-13/16" (123mm)	4-13/16" (123mm)	5-7/8" (150mm)	5-7/8" (150mm)
D	2-1/2" (63mm) MIN TO 3-1/2" (89mm) MAX					
E			3-1/8" (79mm) MIN TO 4-1/8" (105mm) MAX		3-3/16" (81mm) MIN TO 4-3/16" (106mm) MAX	

INSTRUCTIONS FOR MODELS

CPT-3001
CPT-3401



NEED HELP?

For additional assistance or service please contact:

SPEAKMAN®

800-537-2107

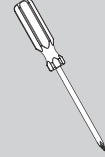
customerservice@speakman.com

www.speakman.com

92-CPT-3001-01

TOOLS AND SUPPLIES

Phillips
Screwdriver



Hex Key Wrench
(included)



IMPORTANT



- Be sure to read instructions thoroughly before beginning installation.
- Be sure to have properly adjusted the Temperature Limiting Stop (TLS) as outlined in the Valve Installation Manual.
- Cover your drain to prevent loss of parts. Be sure to wear eye protection while cutting pipe.

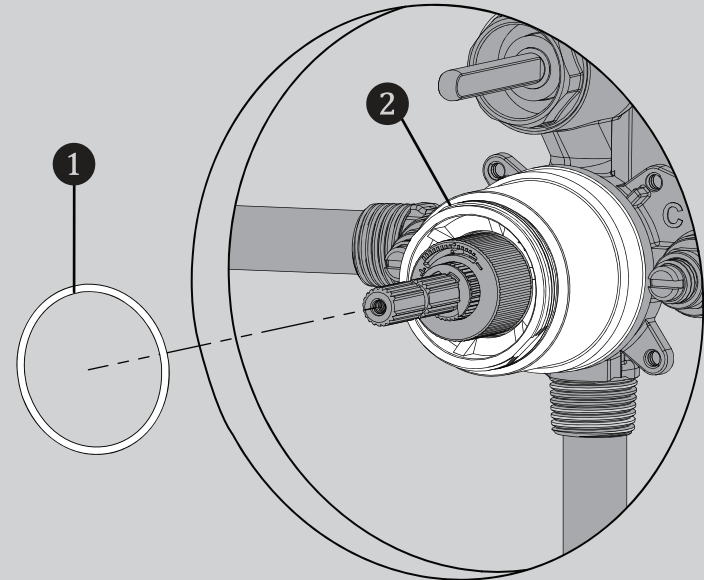
MAINTENANCE

Your new Valve Trim is designed for years of trouble-free performance. Keep it looking new by cleaning it periodically with a soft cloth. The use of harsh chemicals and abrasives on any of the Speakman custom finish products may damage the finish and void the product warranty. Please be sure to only use approved cleaners. Please contact Speakman for any clarification of acceptable cleaners.

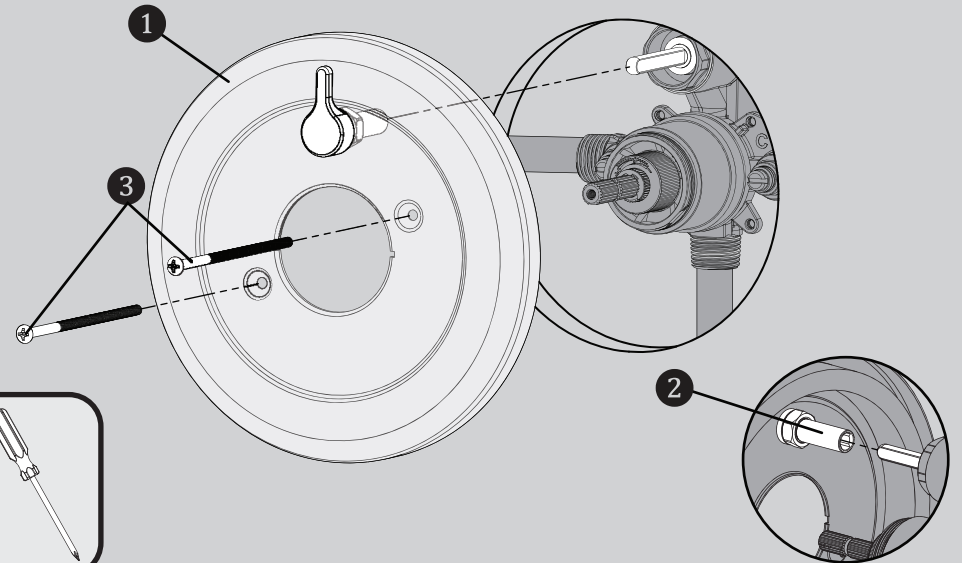
WARRANTY

Warranty information can be found at:
www.speakman.com

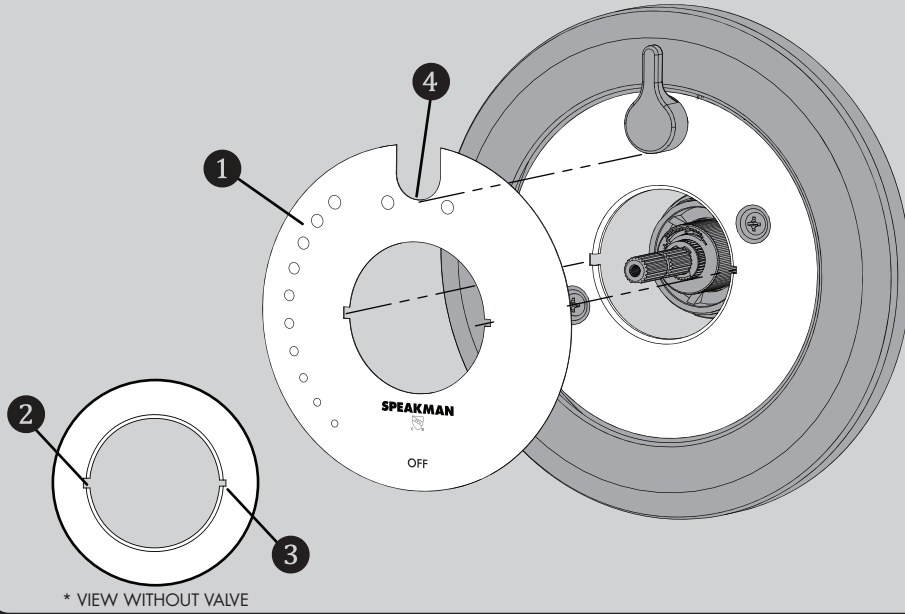
1 **OPTIONAL:** If a firm fit is required, insert the O-Ring **1** onto the Bonnet **2** of the Shower Valve.



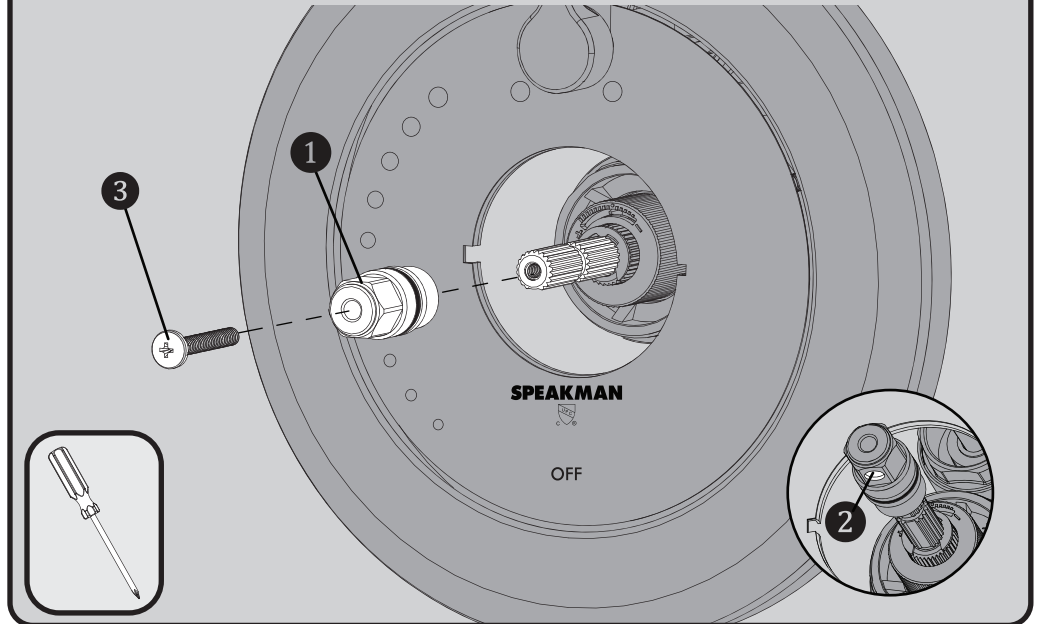
2 Verify that the Valve is in the "OFF" position. Install the Wall Plate **1** to the Valve. If installing a Diverter model of Trim, align the Diverter Handle to the 12 o'clock position and position the Diverter Drive Tube **2** over the Diverter Spindle of the Valve. Secure with the included Mounting Screws **3**.



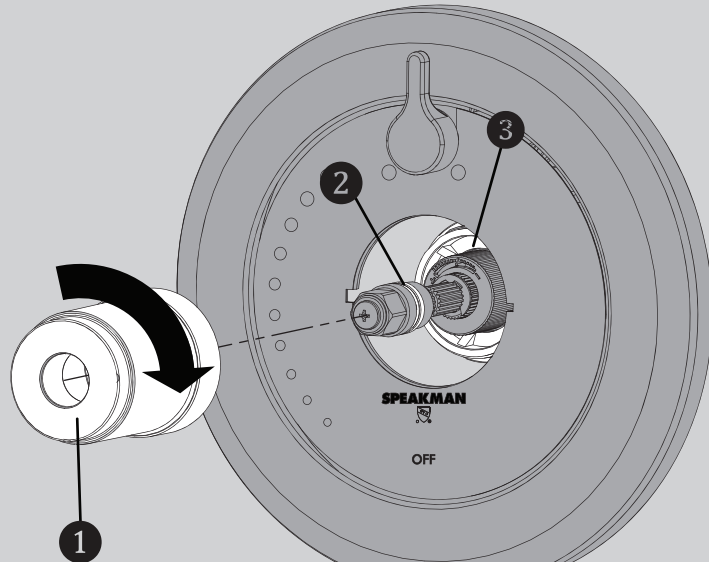
3 Align the Index Plate **1** with the Large Slot **2** and Small Slot **3** on the Wall Plate. If installing onto a Diverter Model, align the U shape **4** under the Diverter Handle and then align to the slots.



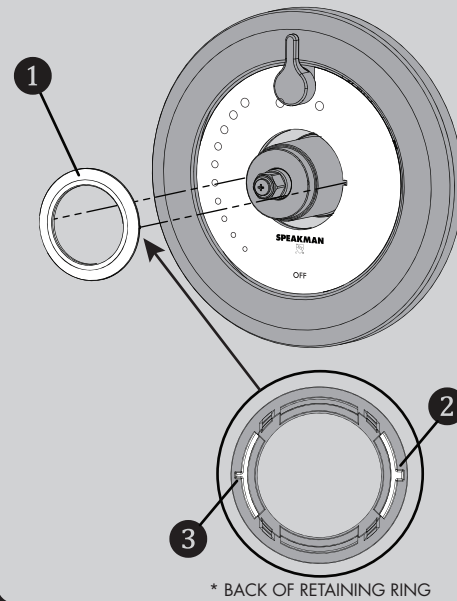
4 Install the Spindle Adapter **1** (with appropriate O-ring in its place) onto the Spindle so that the Circular Indent **2** is pointing downward and is horizontal as shown below. Secure the Spindle Adapter with the included Screw **3**.



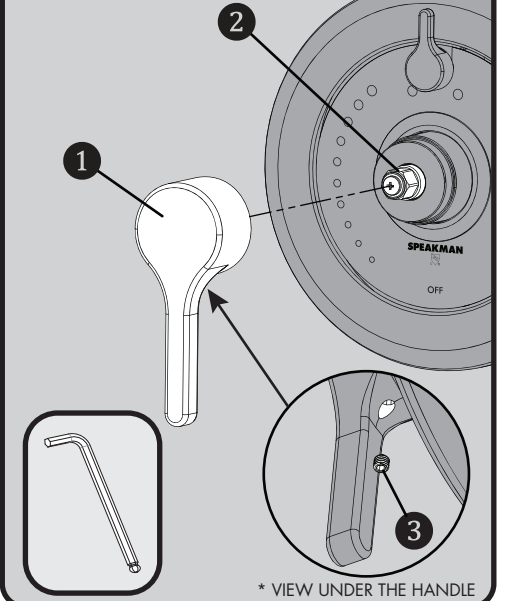
5 Push the Escutcheon **1** gently over the O-ring **2** of Spindle Adapter. Thread the Escutcheon onto the Bonnet **3** of the Valve. Hand tighten into position.



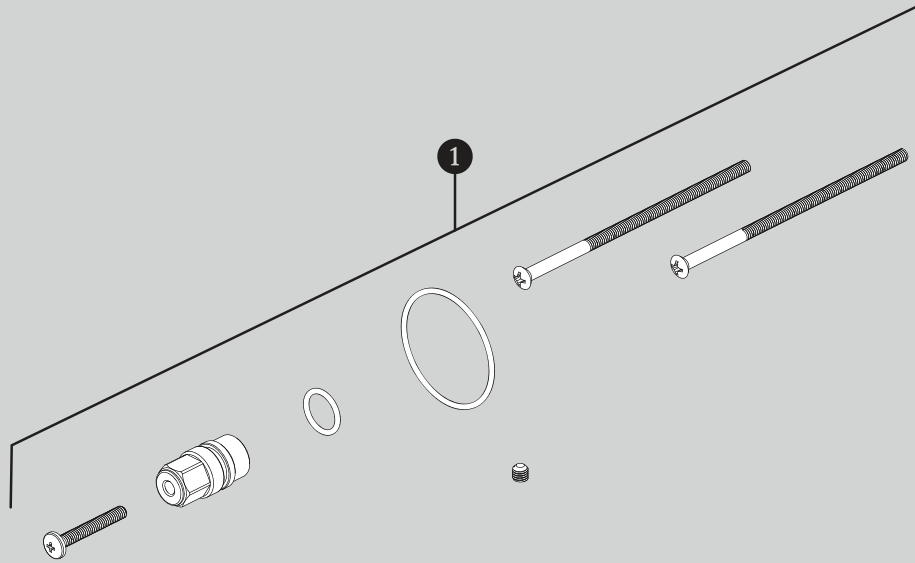
6 Install Retaining Ring **1**. Align the Retaining Ring with the Large Slot **2** and Small Slot **3** on the Wall Plate. Snap in place.



7 Orient the Handle **1** as shown below and position over the Spindle Adapter **2**. Secure with the included Set Screw **3**.



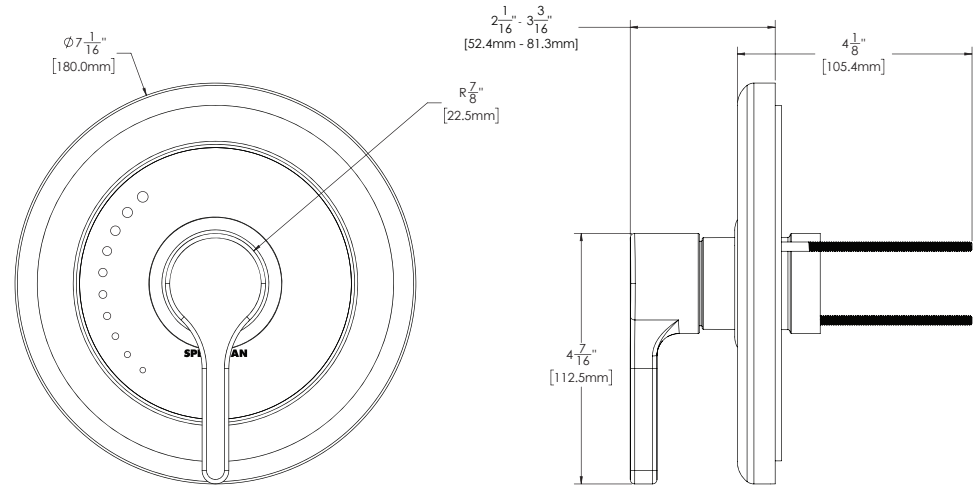
CPT-3001/3401 REPAIR PARTS



ITEM NO.	PART NO.	DESCRIPTION
1	RPG05-1126	REPAIR PARTS GROUP FOR CPT-3X01 TRIMS

CPT-3001 ROUGH-IN DIAGRAM

SPEAKMAN®

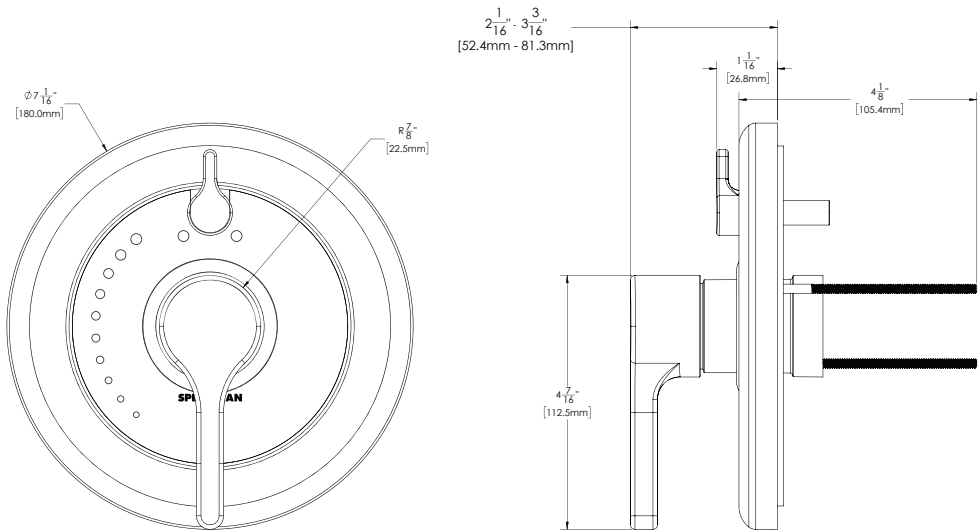


TRIM IS SHOWN AT A ROUGH-IN DEPTH OF 3.0in

DIMENSIONS SUBJECT TO CHANGE WITHOUT NOTICE.

CPT-3401 ROUGH-IN DIAGRAM

SPEAKMAN®

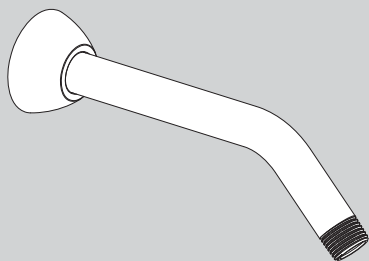


TRIM IS SHOWN AT A ROUGH-IN DEPTH OF 3.0in

DIMENSIONS SUBJECT TO CHANGE WITHOUT NOTICE.

INSTRUCTIONS FOR MODELS

S-2500



NEED HELP?

For additional assistance or service please contact:

SPEAKMAN® Company
400 Anchor Mill Road
New Castle, DE 19720

800-537-2107

customerservice@speakman.com

www.speakman.com

92-S-2500-R5

TOOLS AND SUPPLIES

Thread Seal
Tape



IMPORTANT



Be sure to read instructions thoroughly before beginning installation. Do not overtighten any connections or damage may occur.

SAFETY TIPS

Cover your drain to prevent loss of parts.

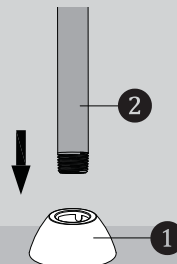
MAINTENANCE

Your new Shower Arm is designed for years of trouble-free performance. Keep it looking new by cleaning it periodically with a soft cloth. Avoid abrasive cleaners, steel wool and harsh chemicals as these will dull the finish and void your warranty.

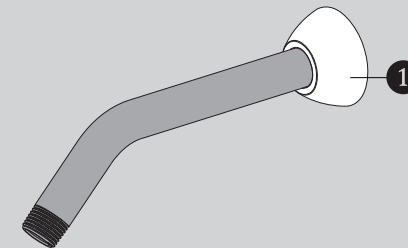
WARRANTY

Additional warranty information can be found at:
www.speakman.com

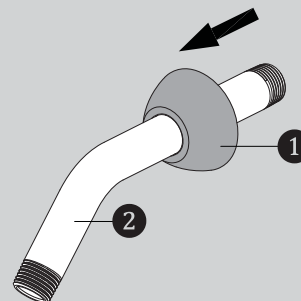
- 1** Place the Escutcheon Plate (1) on a flat surface. Push the long end of the Shower Arm (2) down into the plate. This will help the teeth of the plate slide over the arm easier.



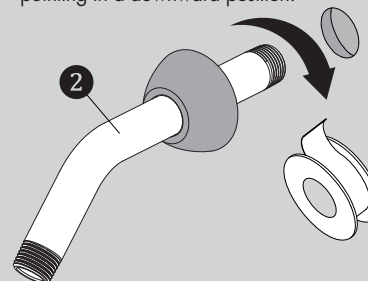
- 4** Position Escutcheon Plate (1) flat against wall.



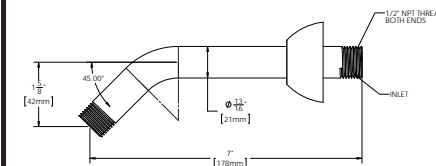
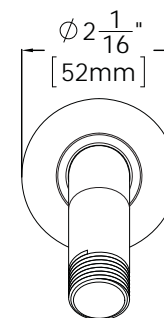
- 2** Once the Escutcheon Plate (1) is on the shower arm, slide the plate over the Shower Arm (2).



- 3** Apply Teflon Tape to inlet side of Shower Arm (2). Thread Shower Arm (2) into Female Pipe Fitting within the wall. Firmly tighten, and make sure Shower Arm (2) Outlet is pointing in a downward position.



ROUGH IN DIMENSIONS



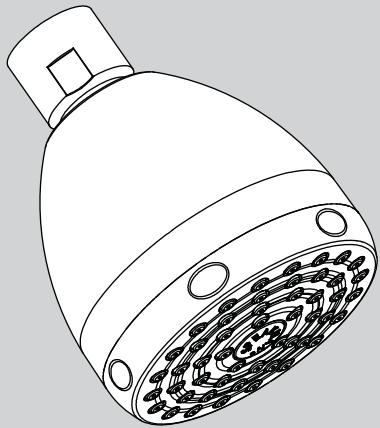
Specifications:

Supply Inlet: 1/2" NPT MALE

Outlet: 1/2" NPT MALE

INSTRUCTIONS FOR MODELS


S-2272-E2
S-2272-E15



NEED HELP?

For additional assistance or service please contact:

SPEAKMAN® Company
400 Anchor Mill Road
New Castle, DE 19720

 800-537-2107

 customerservice@speakman.com

 www.speakman.com

92-S-2272-01

TOOLS AND SUPPLIES

Thread Seal
Tape



Adjustable
Wrench



IMPORTANT



Be sure to read instructions thoroughly before beginning installation. Do not overtighten any connections or damage may occur.

SAFETY TIPS



Cover your drain to prevent loss of parts.

MAINTENANCE



Periodic cleaning using a mild soap and warm water will help keep your Showerhead's appearance in its original condition.

For best results, dry immediately with a soft, clean cloth. **DO NOT USE** harsh and/or abrasive cleaners.

To help restore the finish, occasionally apply a non-abrasive wax to your showerhead body (follow manufacturers' instructions).

On **CHROME PLATED SHOWER HEADS**, a two (2) part white vinegar, one (1) part water solution can be used to break down excessive mineral deposits on the sprays. Let the showerhead soak in the solution for about ½ hour then rinse thoroughly. Brush off any remaining mineral deposits if necessary.

DO NOT USE the vinegar/water treatment on any finish other than Chrome.

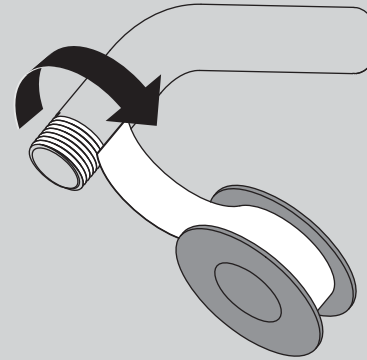
WARRANTY



Additional warranty information can be found at:
www.speakman.com

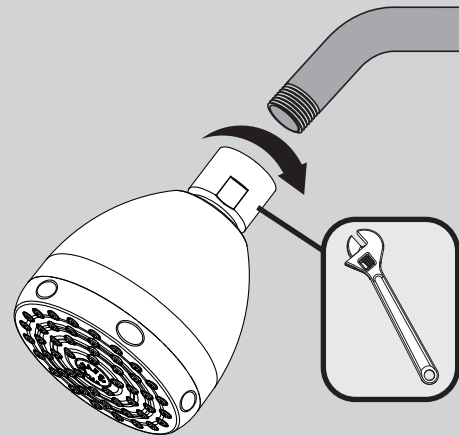
1

Apply Teflon Tape to the outlet side of shower arm in a clockwise direction.

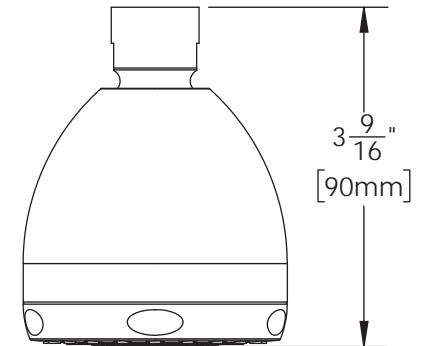
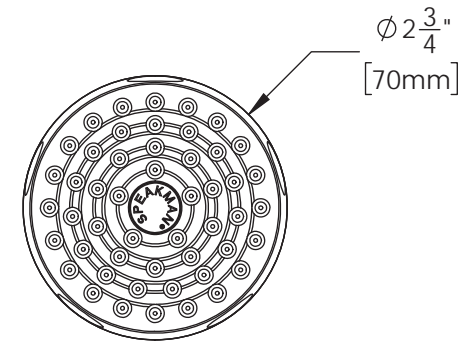


2

Thread Shower head onto shower arm by turning it in a clockwise direction. Tighten with adjustable wrench. Turn water supply on and check for leaks.



ROUGH IN DIMENSIONS



Model: S-2272-E2

Max. Flow Rate: 2.0 gpm (7.6 L/min)

Min. Flow Rate: 1.5 gpm (5.7 L/min) @ 45psi

FOR USE WITH AUTOMATIC COMPENSATING VALVES RATED AT 6.6 L/MIN (1.75 GPM) OR LESS.

Model: S-2272-E15

Max. Flow Rate: 1.5 gpm (5.7 L/min)

Min. Flow Rate: 1.1 gpm (4.2 L/min) @ 45psi

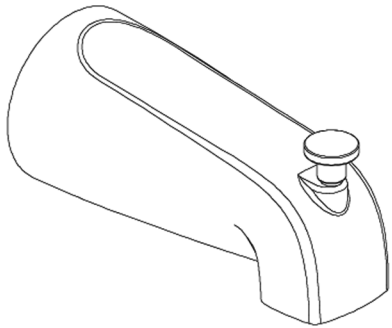
FOR USE WITH AUTOMATIC COMPENSATING VALVES RATED AT 5.2 L/MIN (1.37 GPM) OR LESS.

Specifications:

Inlet: 1/2" NPSM FEMALE

Instructions for Models:

S-1556
S-1556-BN
S-1556-PN



Need Help?

For additional assistance or service call:

SPEAKMAN Company
400 Anchor Mill Road
New Castle, DE 19720

PHONE: 800-537-2107
EMAIL: customerservice@speakmancompany.com
WEB: www.speakmancompany.com

92-3277-R2

What You Need To Know:

Tools:

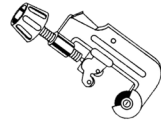
Required:

*Allen Wrench (Included)

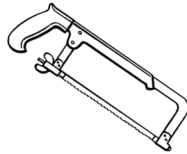


Helpful:

* Tubing Cutter



*Hacksaw



*Protective Eye Wear



Important Notes:

Be sure to read instructions thoroughly before beginning installation. Do not overtighten any connections or damage may occur.

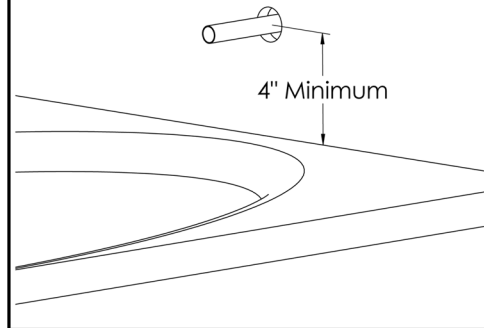
Safety Tips:

Cover your drain to prevent loss of parts.
Be sure to wear eye protection while cutting pipe.

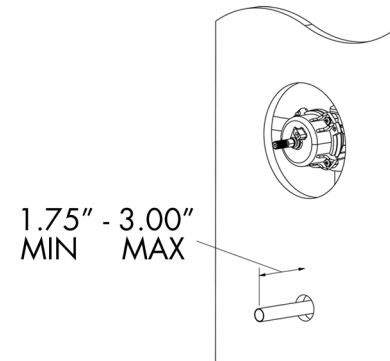
Maintenance:

Your new Tub Spout is designed for years of trouble-free performance. Keep it looking new by cleaning it periodically with a soft cloth. Avoid abrasive cleaners, steel wool, and harsh chemicals as these will dull the finish and void your warranty.

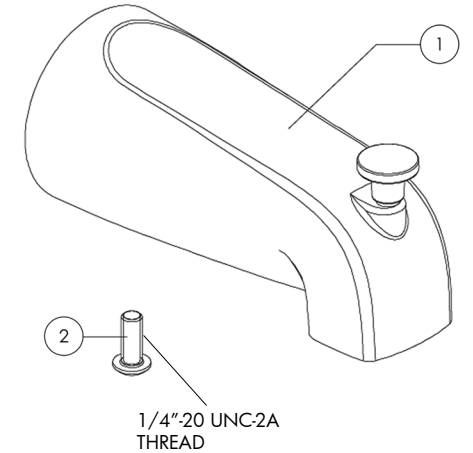
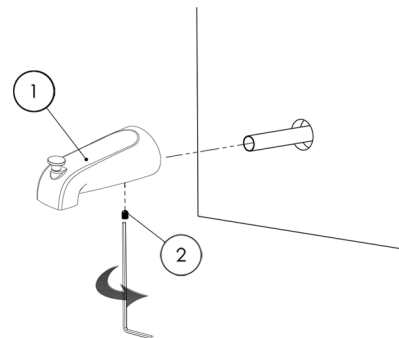
① The minimum distance between the center off the tub spout and the rim of the tub should be no less than 4".



② The stub out for the 1/2" pipe should extend a minimum of 1.75" from the wall, but not to exceed 3" from wall. Remove all burrs and sharp edges from the stub out 1/2" pipe.



③ Slide spout (1) over exposed stub out pipe until flush to wall. Center the spout (1) on the wall and tighten set screw (2) from underneath with Allen wrench.



1/4"-20 UNC-2A
THREAD

