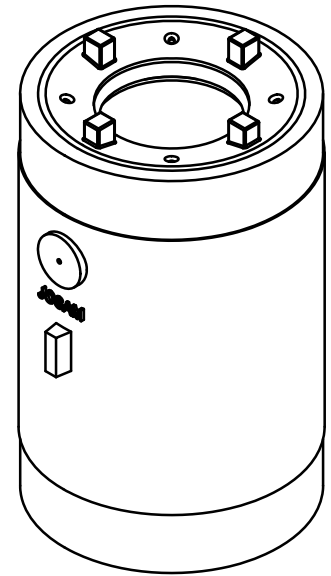
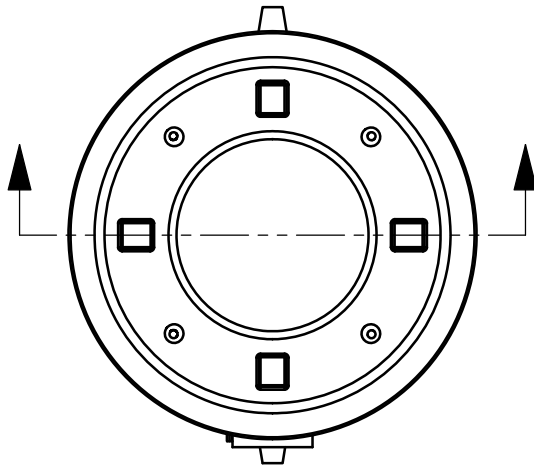


**SPECIFICATION:**

JOSAM 67100A SERIES COATED CAST IRON BACKWATER VALVE, PLASTIC BALL-FLOAT, ELASTOMER SEAT, BRONZE CAGE AND BOTTOM OUTLET SPIGOT CONNECTION.

**BACKWATER VALVE  
BALL-FLOAT ADAPTER**

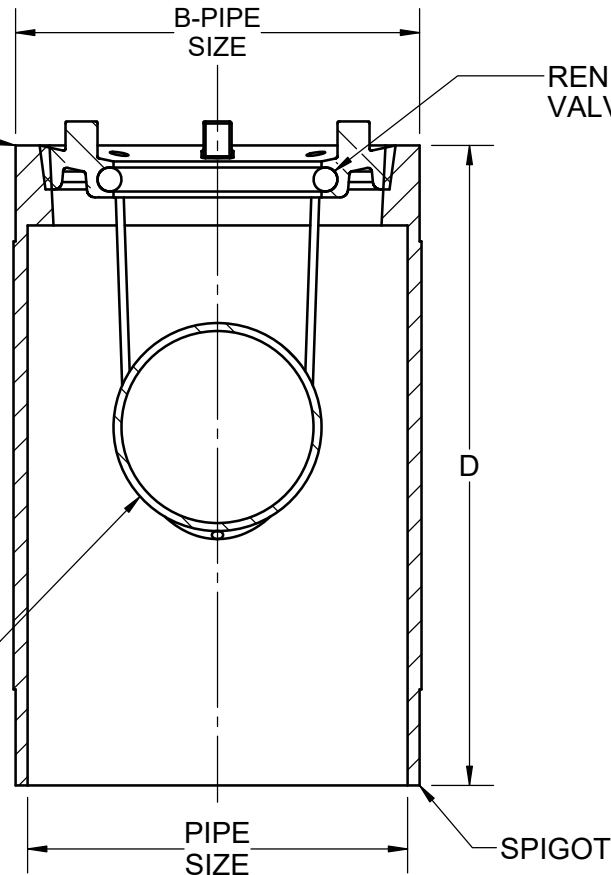
SERIES **67100A**



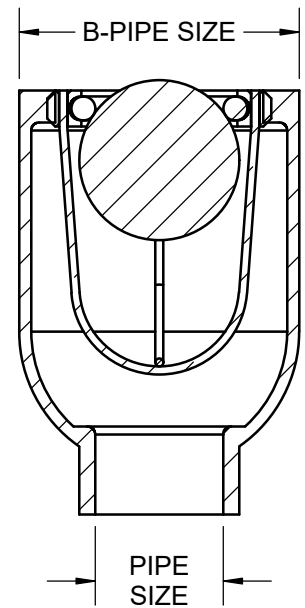
ATTACH ANY 4" OR 6" NO-HUB  
BOTTOM OUTLET  
FLOOR DRAIN

RENEWABLE  
VALVE SEAT

BALL-FLOAT  
VALVE



67104 & 67106



67102 & 67103

PIPE SIZE	B	D
2"	4	6-5/8
3"	4	7-7/8
4"	4	6-1/8
6"	6	10

-5	GALVANIZED CAST IRON PARTS
-35	1/2" PRIMER TAP

DATE OF LAST CHANGE: 05/22/18

DIMENSIONS ARE SUBJECT TO MANUFACTURERS TOLERANCES AND CHANGE WITHOUT NOTICE. WE CAN ASSUME NO RESPONSIBILITY FOR USE OF SUPERSEDED OR VOID DATA.



MICHIGAN CITY, INDIANA

NOTES

WARNING: Cancer and Reproductive Harm - www.P65Warnings.ca.gov