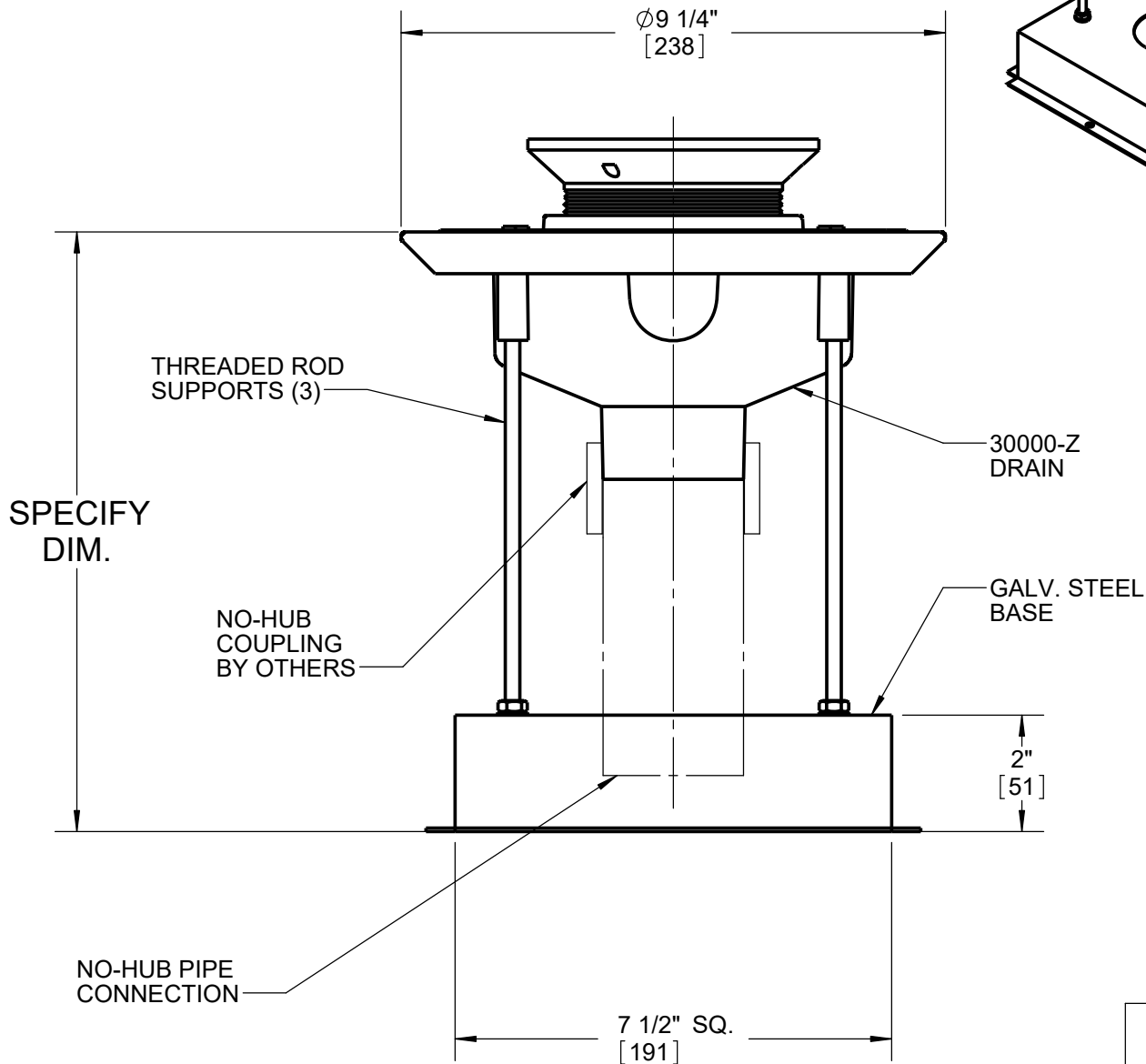
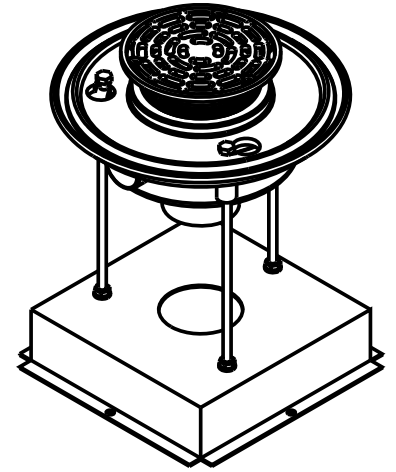


SPECIFICATION:

30000-PFB SERIES FLOOR DRAIN ASSEMBLY, GALVANIZED STEEL DRAIN BASE AND 2-PIECE COATED CAST IRON BODY, DOUBLE DRAINAGE FLANGE, WEJLOC FLASHING COLLAR WITH WEEPHOLES THREADED TO RECEIVE ADJUSTABLE STRAINER, NO-HUB BOTTOM OUTLET AND THREADED ROD AND HARDWARE FOR HEIGHT ADJUSTMENT.

**FLOOR DRAIN
ADJUSTABLE BASE**

SERIES **30000-PFB**



	PIPE SIZE
	2"
	3"
	4"

WARNING: Cancer and Reproductive Harm - www.P65Warnings.ca.gov

DATE OF LAST CHANGE: 07/24/18

DIMENSIONS ARE SUBJECT TO MANUFACTURERS TOLERANCES AND CHANGE WITHOUT NOTICE. WE CAN ASSUME NO RESPONSIBILITY FOR USE OF SUPERSEDED OR VOID DATA.

JOSAM

MICHIGAN CITY, INDIANA

NOTES