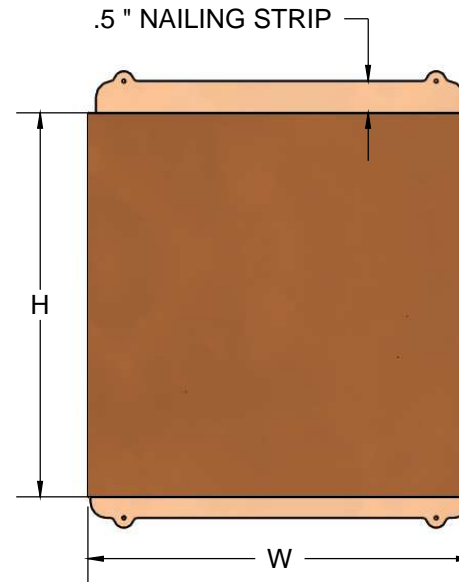
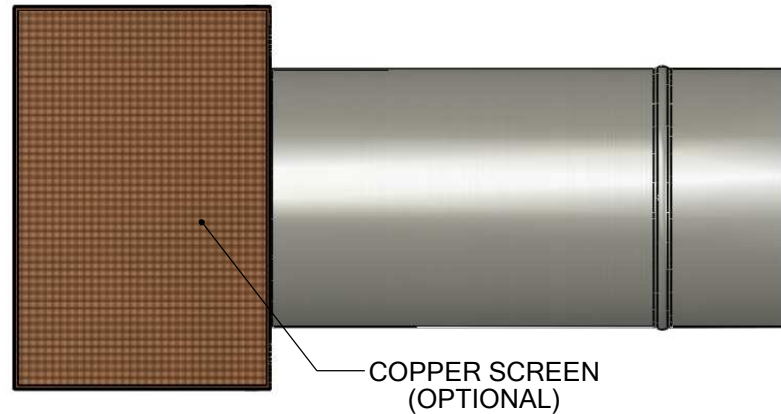
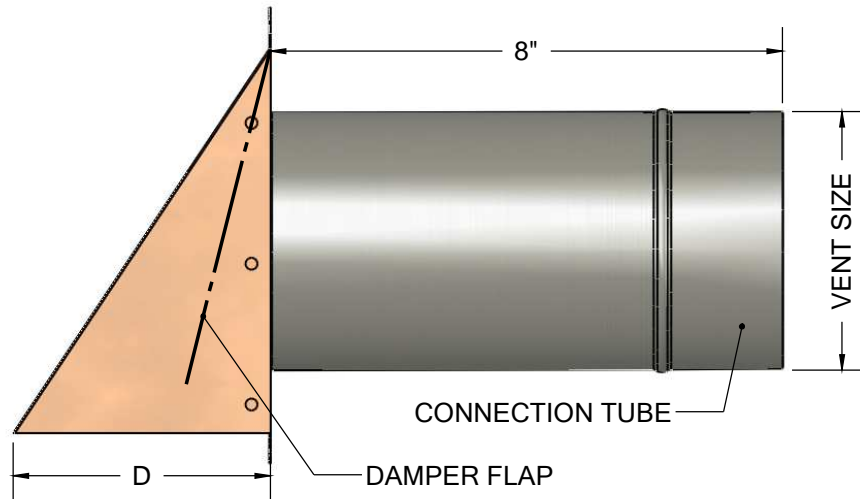
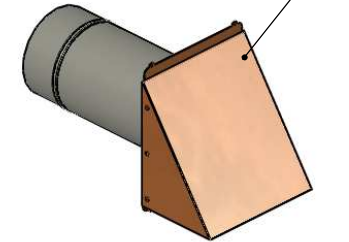


# DRYER VENT

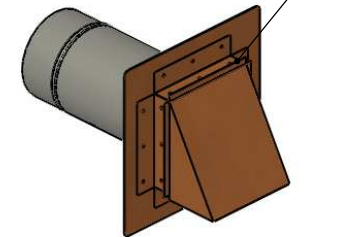
## FLUSH MOUNT



FLUSH MOUNT FOR BRICK APPLICATION



ALSO AVAILABLE:  
J-MOLD FOR STUCCO APPLICATION



**MATERIAL** 16 oz copper or stainless steel

PART #	VENT SIZE	W x H x D	FREE AREA
WDV4-F	4"	6" x 6" x 4"	24 in <sup>2</sup>
WDV6-F	6"	9.2" x 9.2" x 6.2"	57 in <sup>2</sup>
WDV8-F	8"	10.2" x 10.2" x 7"	71 in <sup>2</sup>
WDV10-F	10"	11.5" x 11.5" x 7.7"	88 in <sup>2</sup>
WDV12-F	12"	14" x 14" x 9.2"	128 in <sup>2</sup>

**THUNDERBIRD PRODUCTS**  
 1895 Gillespie Way  
 El Cajon, CA 92020  
 Tel: (800) 658-2473  
 Fax: (619) 448-9072