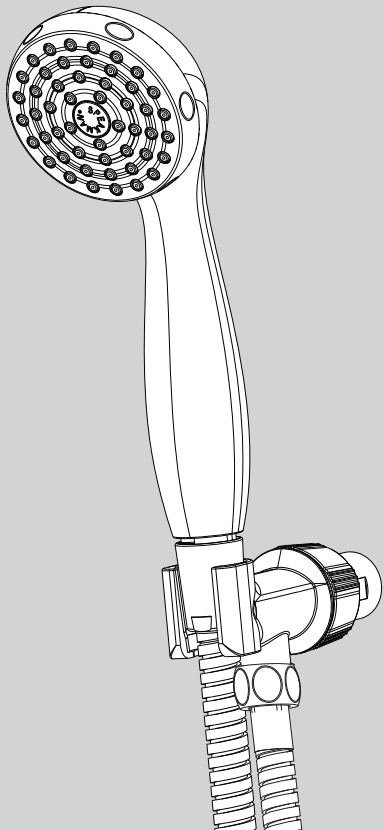


INSTRUCTIONS FOR MODELS


VS-2272-E15



NEED HELP?

For additional assistance or service please contact:

SPEAKMAN® Company
400 Anchor Mill Road
New Castle, DE 19720

 800-537-2107

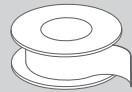
 customerservice@speakman.com

 www.speakman.com

92-VS-2272-E15-R2

TOOLS AND SUPPLIES

Thread Seal
Tape



Adjustable
Wrench



IMPORTANT



Be sure to read instructions thoroughly before beginning installation. Do not overtighten any connections or damage may occur. This hand shower has an optimal operating range of 20-80 psi.

SAFETY TIPS



Cover your drain to prevent loss of parts.

MAINTENANCE



Periodic cleaning using a mild soap and warm water will help keep your Hand Shower's appearance in its original condition.

For best results, dry immediately with a soft, clean cloth. **DO NOT USE** harsh and/or abrasive cleaners.

On **CHROME PLATED HAND SHOWERS**, a two (2) part white vinegar, one (1) part water solution can be used to break down excessive mineral deposits on the sprays. Let the showerhead soak in the solution for about ½ hour then rinse thoroughly. Brush off any remaining mineral deposits if necessary.

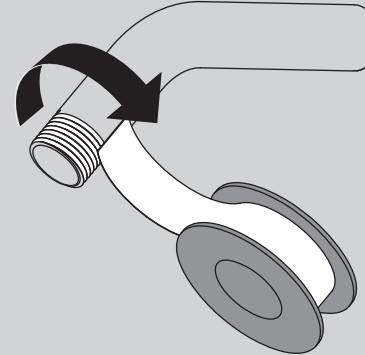
DO NOT USE the vinegar/water treatment on any finish other than Chrome.

WARRANTY

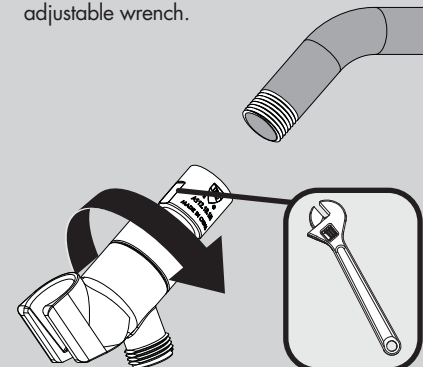


Additional warranty information can be found at:
www.speakman.com

- 1** Apply Thread Seal Tape to the outlet side of shower arm in a clockwise direction.



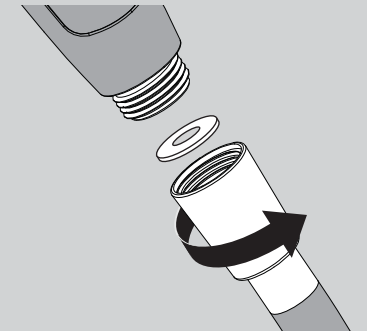
- 2** Thread Bracket onto shower arm by turning it in a clockwise direction. Tighten with adjustable wrench.



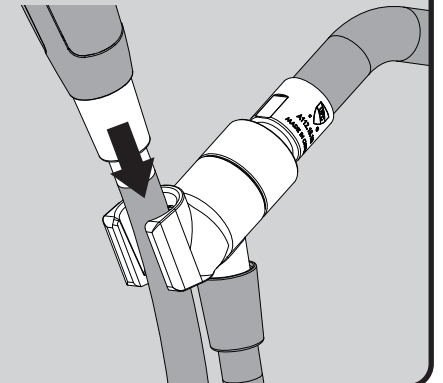
- 3** Verify that rubber sealing washer is present in hose coupling. Thread one end of hose to the outlet port of Bracket. Hand tighten.



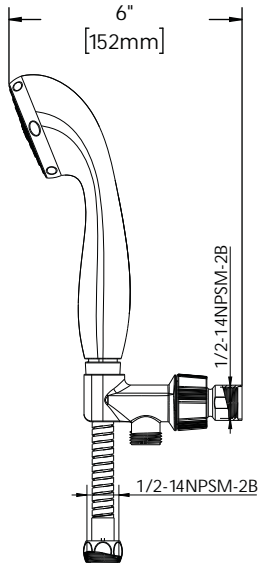
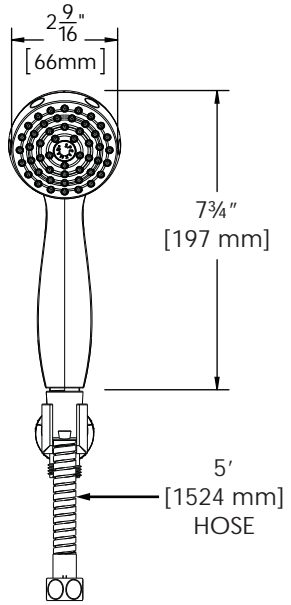
- 4** Verify that a rubber sealing washer is present in the remaining hose coupling. Thread remaining end of Hose to base of Hand Shower. Hand tighten.



- 5** Place Hand Shower into Bracket. Turn on water supplies and check for leaks.



ROUGH IN DIMENSIONS



Specifications:
Inlet: 1/2" NPT FEMALE