

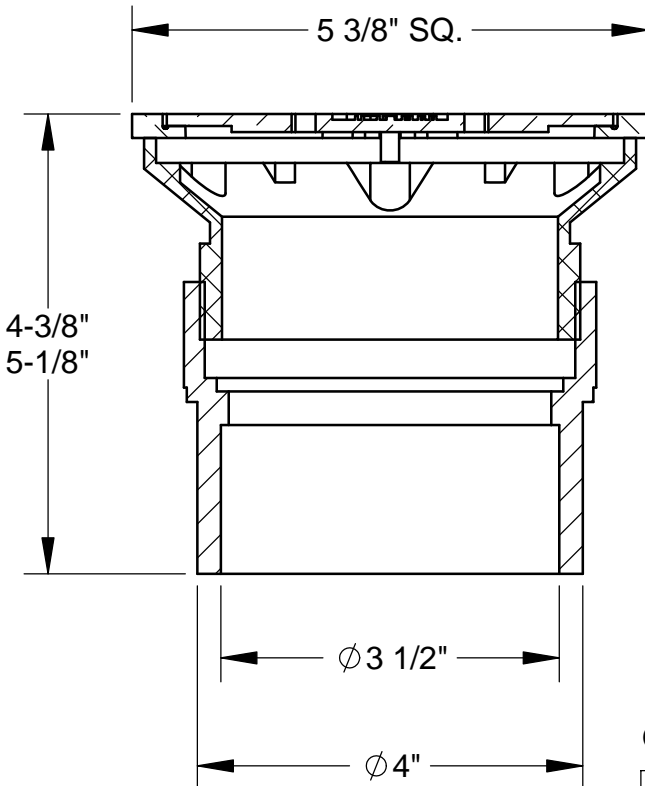
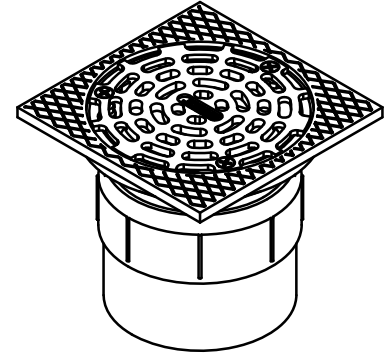
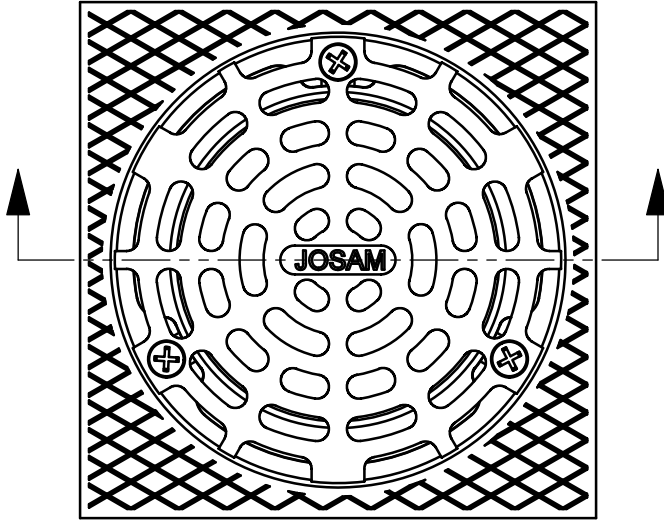
SPECIFICATION:

JOSAM FD-450-SQ SERIES PVC FLOOR DRAIN WITH SQUARE ADJUSTABLE TOP AND METAL RIM AND GRATE.

FLOOR DRAIN

PVC

SERIES **FD-450-SQ**



PVC OUTLET FITS OVER 3" AND INSIDE 4" SCHED 40 DWV

OPTIONS:

-5NBRG	ROUND NICKEL-BRONZE RIM AND GRATE
-5PBRG	ROUND POLISHED BRONZE RIM AND GRATE
-5SCRG	ROUND SCORIATED GASKETED SOLID COVER

DATE OF LAST CHANGE: 02/28/14

DIMENSIONS ARE SUBJECT TO MANUFACTURERS TOLERANCES AND CHANGE WITHOUT NOTICE. WE CAN ASSUME NO RESPONSIBILITY FOR USE OF SUPERSEDED OR VOID DATA.

JOSAM COMPANY
MICHIGAN CITY, INDIANA

NOTES