

# SPEAKMAN®

SLV-8011

## Installation, Operation & Maintenance Instructions

RAINIER™ COLLECTION COMBINATION SERIES

### DESCRIPTION

Speakman Rainier™ Collection Combination Series, SLV-8011 includes: Shower Valve Trim (CPT-8001), Shower Arm with Wall Flange (S-2550), and Multi Function Shower Head (S-3018). This combination does not include the Shower Valve.

**PB**

This combination should be installed with one of the following Speakman Sentinel Mark II® Pressure Balance Shower Valves

- CPV-PB:** Thermostatic Shower Valve  
Sweat & Thread Connections
- CPV-PB-PXC:** Thermostatic Shower Valve  
PEX F1807 Crimp Inlet Connections
- CPV-PB-PXE:** Thermostatic Shower Valve  
PEX F1960 Cold-Expansion Inlet Connections

**T**

This combination should be installed with one of the following Speakman Sentinel Mark II® Thermostatic Shower Valves

- CPV-T:** Thermostatic Shower Valve  
Sweat & Thread Connections
- CPV-T-PXC:** Thermostatic Shower Valve  
PEX F1807 Crimp Inlet Connections
- CPV-T-PXE:** Thermostatic Shower Valve  
PEX F1960 Cold-Expansion Inlet Connections

### SPECIFICATIONS

#### CPT-8001 RAINIER™ COLLECTION SHOWER VALVE TRIM:

COMPLIANCE: ASME A112.18.1 / CSA B125.1 Standard

#### S-2550 RAINIER™ COLLECTION SHOWER ARM WITH WALL FLANGE:

CONNECTIONS: ½" NPT Male Inlet & Outlet

#### S-3018 RAINIER™ COLLECTION MULTI FUNCTION SHOWER HEAD:

CONNECTIONS: ½" NPT Female Inlet

FLOW RATE: 2.5 gpm (9.5 L/min)

COMPLIANCE: ASME A112.18.1 / CSA B125.1 Standard

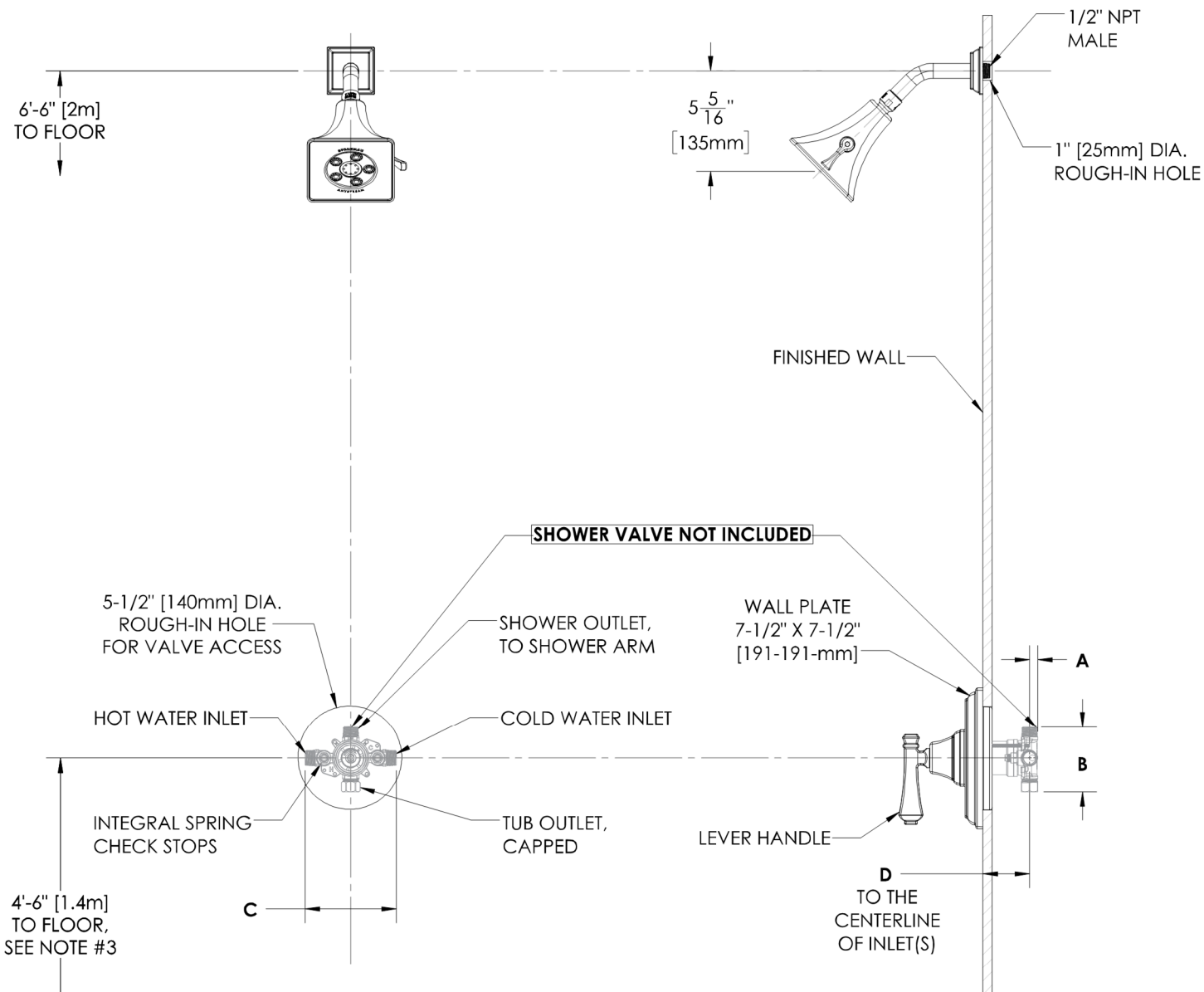
### INSTRUCTIONS

See individual products for installation of the components and warranty information.

**SPEAKMAN®**

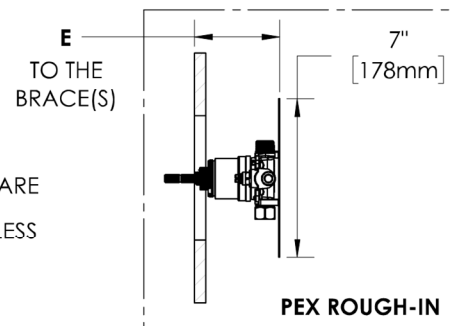
Phone: 800-537-2107 Fax: 800-977-2747  
12/18/18 www.speakman.com 92C-SLV-8011-01

# ROUGH-IN



**NOTES:**

1. ALL DIMENSIONS ARE IN INCHES [MILLIMETERS] UNLESS OTHERWISE SPECIFIED AND ARE SUBJECT TO CHANGE WITHOUT NOTICE.
2. ALL INLETS AND OUTLETS ARE 1/2" FEMALE COPPER SWEAT AND 1/2" MALE NPT UNLESS OTHERWISE SPECIFIED.
3. FOR ADA MOUNTING LOCATIONS CONSULT ADAAG, ANSI A117.1, OR STATE REGULATIONS.



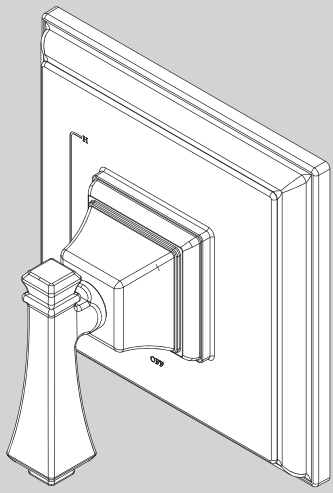
DIMENSION	CPV-PB	CPV-T	CPV-PB-PXC	CPV-PB-PXE	CPV-T-PXC	CPV-T-PXE
A	7/16" (11mm)	1/2" (12mm)	7/16" (11mm)		1/2" (12mm)	
B	3-5/16" (84mm)	3-1/2" (89mm)	3-5/16" (84mm)		3-1/2" (89mm)	
C	4-13/16" (123mm)	5-7/8" (150mm)	4-13/16" (123mm)		5-7/8" (150mm)	
D	2-1/2" (63mm) MIN TO 3-1/2" (89mm) MAX					
E			3-1/8" (79mm) MIN TO 4-1/8" (105mm) MAX		3-3/16" (81mm) MIN TO 4-3/16" (106mm) MAX	

**SPEAKMAN®**

Phone: 800-537-2107 Fax: 800-977-2747  
 12/18/18 www.speakman.com 92C-SLV-8011-01

## INSTRUCTIONS FOR MODELS

CPT-8001-P



### NEED HELP?

For additional assistance or service please contact:

**SPEAKMAN**® Company  
400 Anchor Mill Road  
New Castle, DE 19720

800-537-2107

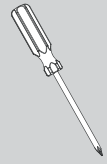
customerservice@speakman.com

www.speakman.com

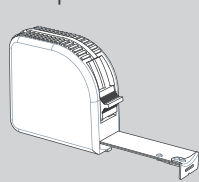
92-CPT-8001-P-01

## TOOLS AND SUPPLIES

Phillips  
Screwdriver



Measuring  
Tape



### IMPORTANT

- Do not over-tighten any connections or damage may occur.
- Be sure to read instructions thoroughly before beginning installation.
- Be sure to have properly adjusted the Temperature Limiting Stop (TLS) as per the Valve Installation Instructions before installing Valve Trim.

### SAFETY TIPS

Cover your drain to prevent loss of parts.

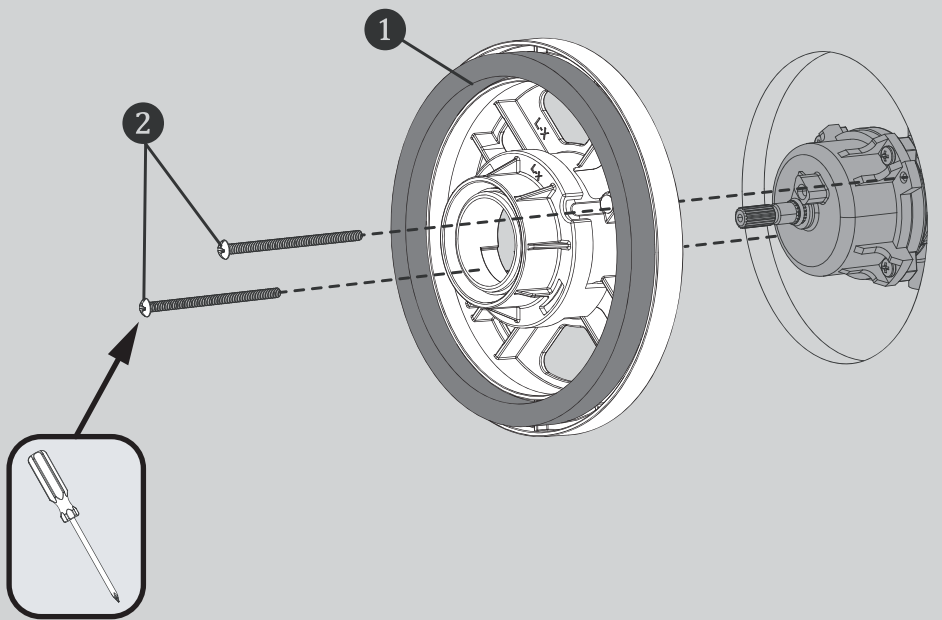
### MAINTENANCE

Your new Speakman Product is designed for years of trouble-free performance. Keep it looking new by cleaning it periodically with a soft cloth. The use of harsh chemicals and abrasives on any of the Speakman custom finish products may damage the finish and void the product warranty. Please be sure to only use approved cleaners. Please contact Speakman for any clarification of acceptable cleaners.

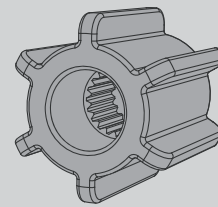
### WARRANTY

Additional warranty information can be found at:  
www.speakman.com

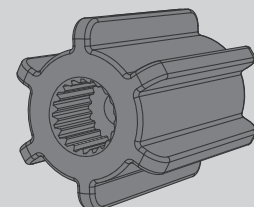
**1** Clean wall surface. Place Mounting Base (1) onto the valve, align mounting holes, and secure with supplied screws (2).



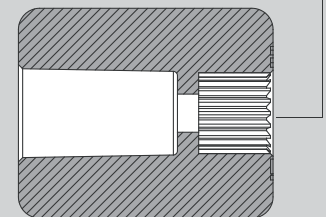
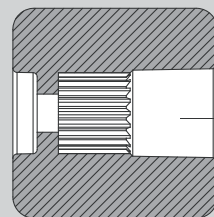
**2** There are two connectors included to allow for both Shallow Mount (Valve Centerline is 2.5"-3.0" from finished wall surface) and Deep Mount (Valve Centerline is 3.0"-3.5" from finished wall surface) applications. Please select Connector appropriate for your installation.



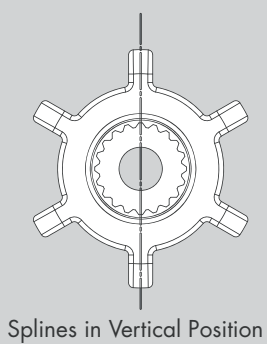
For Shallow Mount Application



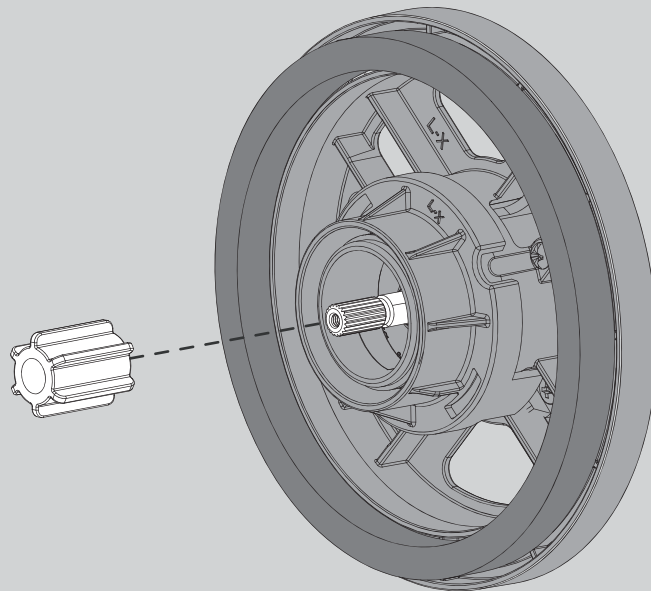
For Deep Mount Application



**3** Confirm that Valve is in the "Off" position. Place appropriate Connector on to the Spindle of the Valve, making sure to orient the Connector so that one set of Splines are in a perfectly vertical position.

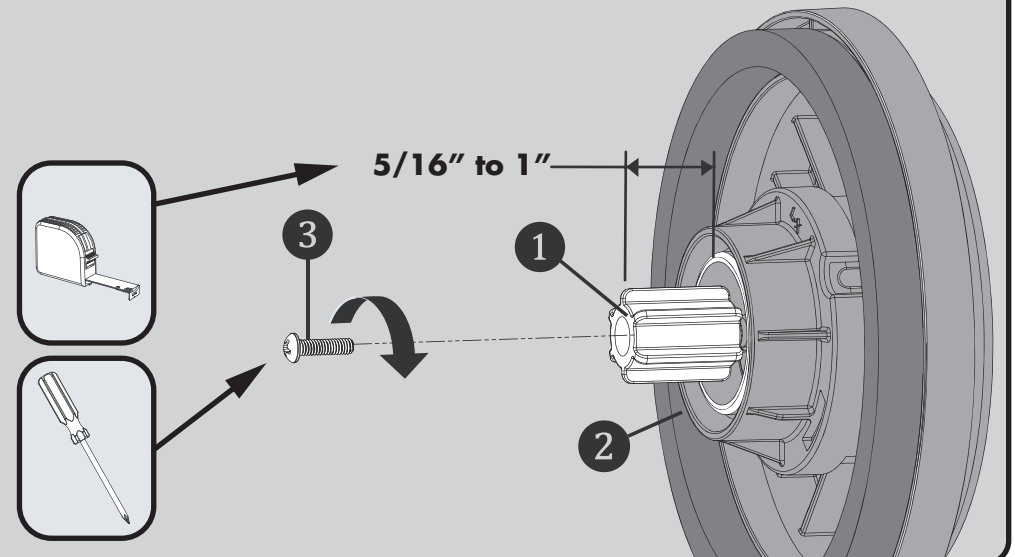


Splines in Vertical Position

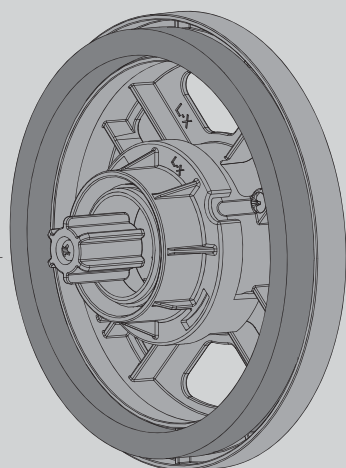
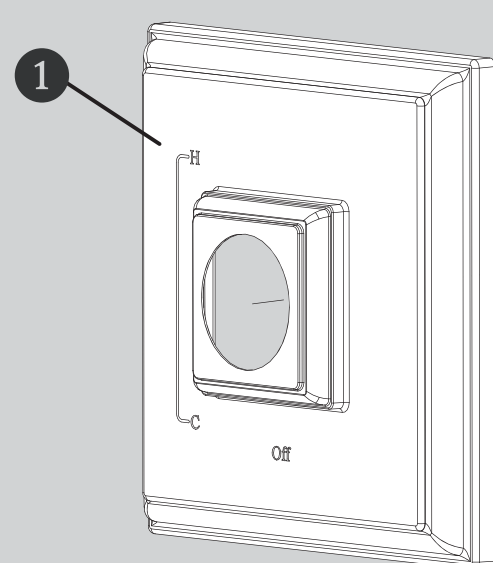


**4** **IMPORTANT**

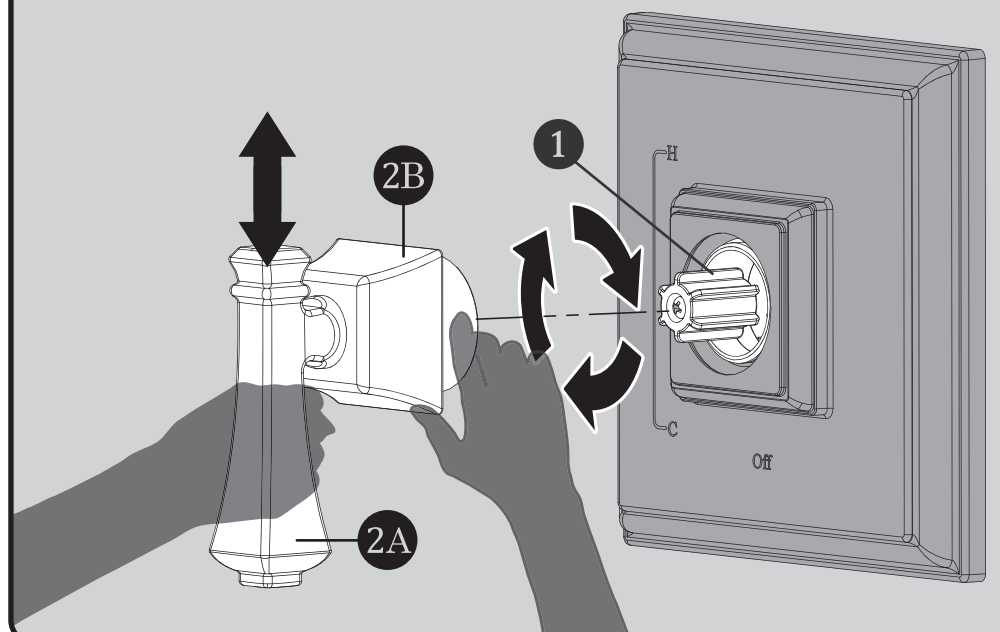
When installed correctly, the Connector (1) should protrude from the Mounting Base (2) in-between 5/16" and 1". Secure Connector with 8-32 screw provided (3). If your installation does not fall within this range, try swapping Connectors.

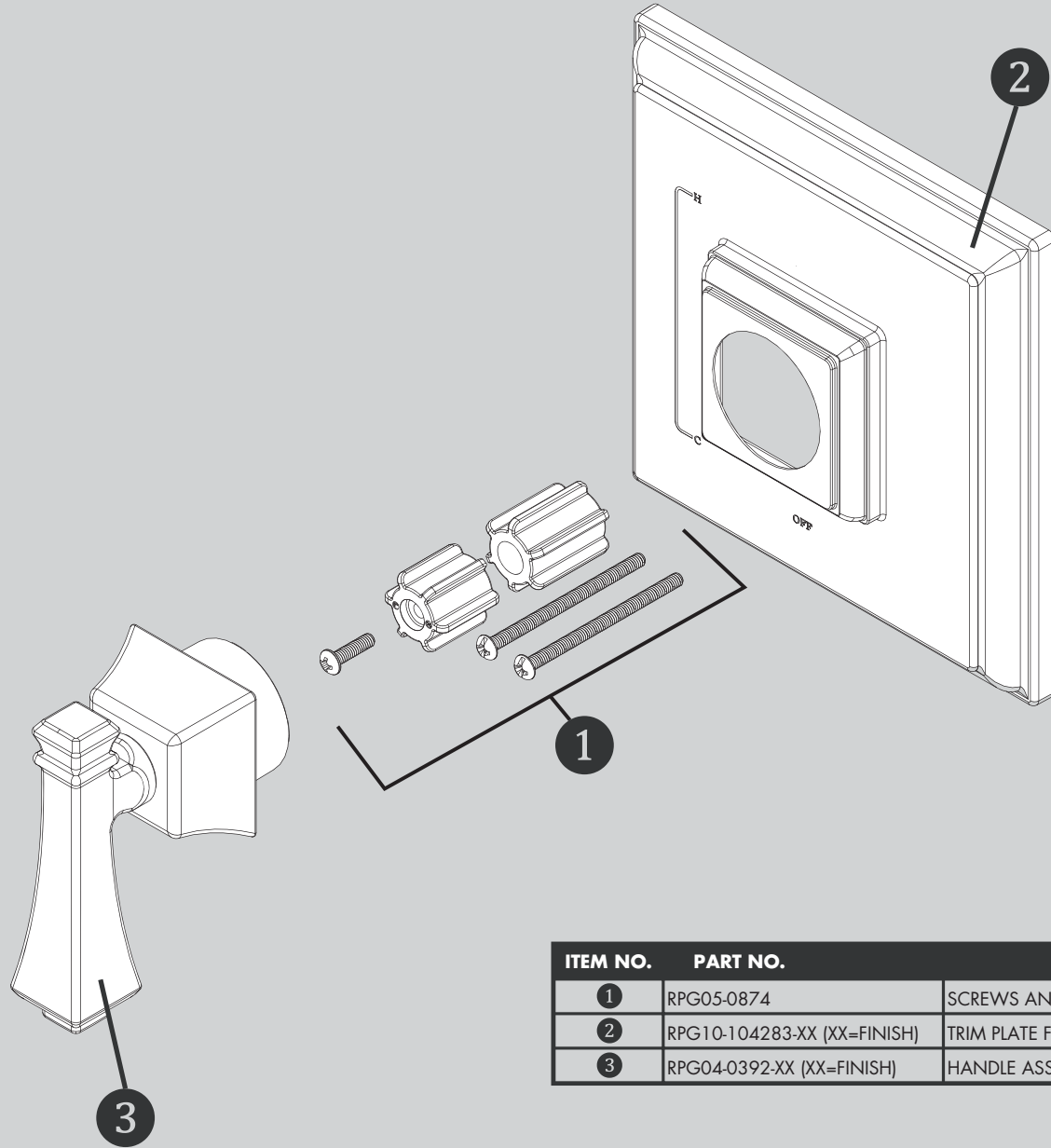


**5** Place Escutcheon (1) on Mounting Base. Take care to orient the Escutcheon as shown below.



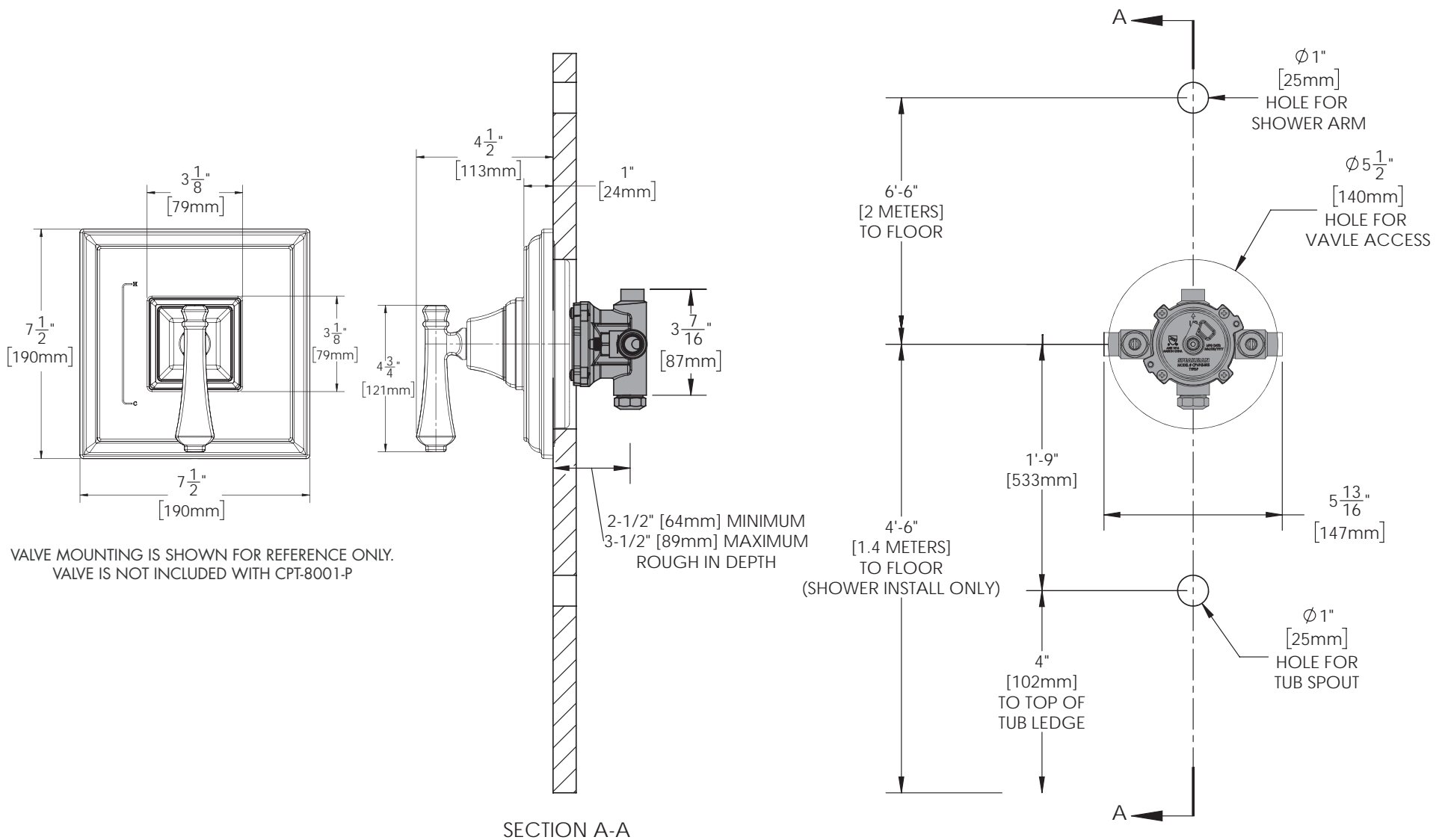
**6** Align Handle Assembly with Connector (1) and Escutcheon. Keep Handle (2A) in a stationary vertical position as you thread Handle Hub (2B) onto the Mounting Base. Tighten until snug.





ITEM NO.	PART NO.	DESCRIPTION
1	RPG05-0874	SCREWS AND SPLINE ADAPTERS
2	RPG10-104283-XX (XX=FINISH)	TRIM PLATE FOR CPT-8001-P
3	RPG04-0392-XX (XX=FINISH)	HANDLE ASSEMBLY FOR CPT-8001-P

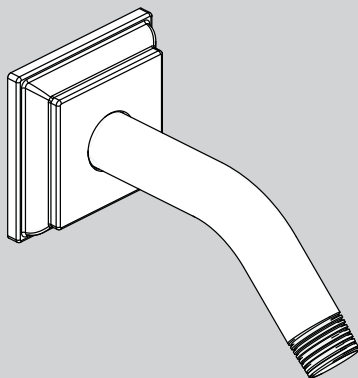
CPT-8001-P ROUGH-IN DIAGRAM



DIMENSIONS SUBJECT TO CHANGE WITHOUT NOTICE.

## INSTRUCTIONS FOR MODELS

# S-2550



### NEED HELP?

For additional assistance or service please contact:

**SPEAKMAN**® Company  
400 Anchor Mill Road  
New Castle, DE 19720

800-537-2107

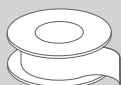
customerservice@speakman.com

www.speakman.com

92-S-2550-R3

## TOOLS AND SUPPLIES

Thread Seal  
Tape



Allen Wrench  
(Included)



### IMPORTANT



Be sure to read instructions thoroughly before beginning installation. Do not overtighten any connections or damage may occur.

### SAFETY TIPS

Cover your drain to prevent loss of parts.

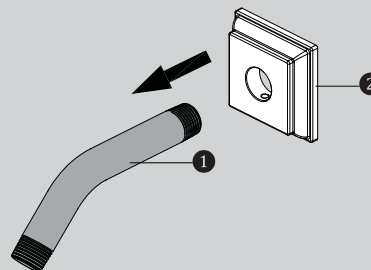
### MAINTENANCE

Your new Shower Arm is designed for years of trouble-free performance. Keep it looking new by cleaning it periodically with a soft cloth. Avoid abrasive cleaners, steel wool and harsh chemicals as these will dull the finish and void your warranty.

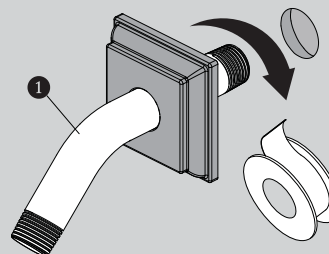
### WARRANTY

Additional warranty information can be found at:  
[www.speakman.com](http://www.speakman.com)

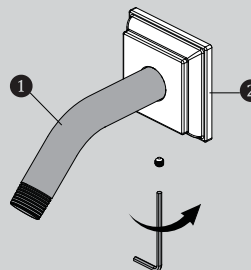
- 1 Slide Escutcheon Plate (2) over the long end of the Shower Arm (1).



- 2 Apply Teflon Tape to inlet side of Shower Arm (1). Thread Shower Arm (1) into Female Pipe Fitting within the wall. Firmly tighten, and make sure Shower Arm (1) Outlet is pointing in a downward position.

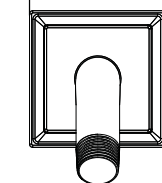


- 3 Position Escutcheon Plate (2) flat against wall. Secure Escutcheon Plate (2) to Shower Arm (1) by tightening set screw with allen wrench (Hex: 2.5mm) provided.

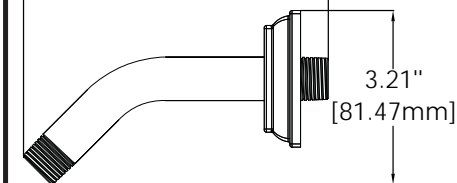


## ROUGH IN DIMENSIONS

2.52"  
[64.00mm]



5.62"  
[142.76mm]



M5X0.8-6g

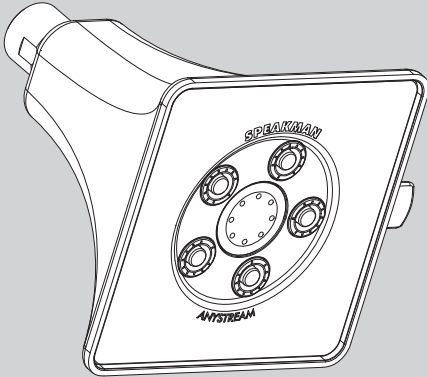
### Specifications:

Supply Inlet: 1/2" NPT MALE

Outlet: 1/2" NPT MALE

## INSTRUCTIONS FOR MODELS


S-3018  
S-3018-E2  
S-3018-E175





### NEED HELP?

For additional assistance or service please contact:

**SPEAKMAN**® Company  
400 Anchor Mill Road  
New Castle, DE 19720

 800-537-2107

 customerservice@speakman.com

 www.speakman.com

92-S-3018-04

## TOOLS AND SUPPLIES

Thread Seal  
Tape  
(included)



Adjustable  
Wrench



### IMPORTANT



Be sure to read instructions thoroughly before beginning installation. Do not overtighten any connections or damage may occur.

### SAFETY TIPS

Cover your drain to prevent loss of parts.

### MAINTENANCE

Periodic cleaning using a mild soap and warm water will help keep your Shower Head's appearance in its original condition.

For best results, dry immediately with a soft, clean cloth. **DO NOT USE** harsh and/or abrasive cleaners.

To help restore the finish, occasionally apply a non-abrasive wax to your shower head body (follow manufacturers' instructions).

On **CHROME PLATED SHOWER HEADS**, a two (2) part white vinegar, one (1) part water solution can be used to break down excessive mineral deposits on the sprays. Let the shower head soak in the solution for about ½ hour then rinse thoroughly. Brush off any remaining mineral deposits if necessary.

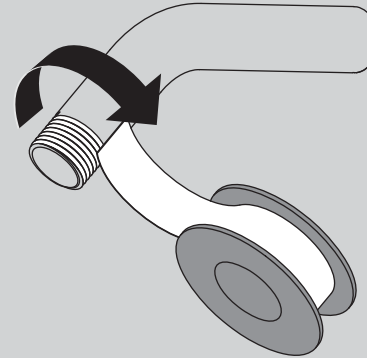
**DO NOT USE** the vinegar/water treatment on any finish other than Chrome.

To reduce mineral build-up, turn the handle to **FLOOD** position to let the water drain out after every use.

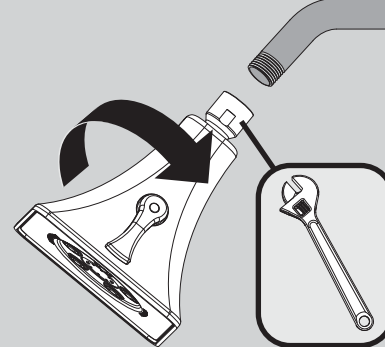
### WARRANTY

Additional warranty information can be found at:  
[www.speakman.com](http://www.speakman.com)

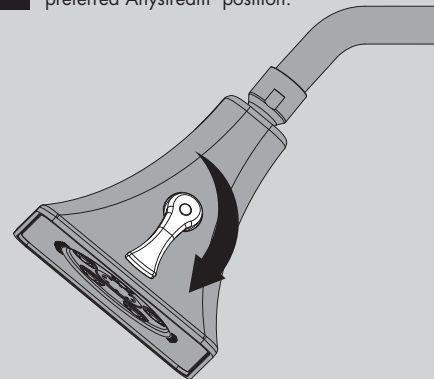
**1** Apply Thread Seal Tape to the outlet side of shower arm in a clockwise direction.



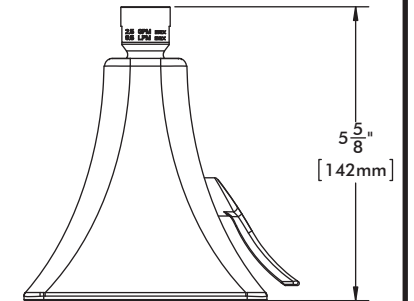
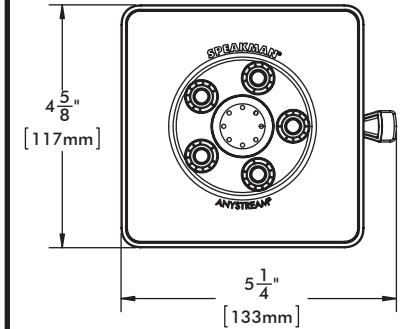
**2** Thread Shower head onto shower arm by turning it in a clockwise direction. Tighten with adjustable wrench. Turn water supply on and check for leaks.



**3** Adjust spray pattern by rotating side handle to preferred Anystream® position.



## ROUGH IN DIMENSIONS



Model: S-3018

Max. Flow Rate: 2.5 gpm (9.5L/min)

Min. Flow Rate: 2.0 gpm (7.6 L/min) @ 45psi

FOR USE WITH AUTOMATIC COMPENSATING VALVES RATED AT 7.6 L/MIN (2.0 GPM) OR LESS.

Model: S-3018-E2

Max. Flow Rate: 2.0 gpm (7.6 L/min)

Min. Flow Rate: 1.5 gpm (5.7 L/min) @ 45psi

FOR USE WITH AUTOMATIC COMPENSATING VALVES RATED AT 6.6 L/MIN (1.75 GPM) OR LESS.

Model: S-3018-E175

Max. Flow Rate: 1.75 gpm (6.6 L/min)

Min. Flow Rate: 1.3 gpm (4.9 L/min) @ 45psi

FOR USE WITH AUTOMATIC COMPENSATING VALVES RATED AT 5.7 L/MIN (1.5 GPM) OR LESS.

### Specifications:

Inlet: 1/2" NPT FEMALE