

## Neo™ Pressure Balance Valve Trim

### FEATURES:

- Metal lever handle
- Metal trim plate
- Includes mounting plate and hardware

### VALVE OPTIONS:

- CPV-PB: Pressure Balance Valve  
Sweat & Thread Connections
- CPV-PB-PXC: Pressure Balance Valve  
PEX F1807 Crimp Inlet Connections
- CPV-PB-PXE: Pressure Balance Valve  
PEX F1960 Cold-Expansion Inlet  
Connections
- CPV-T: Thermostatic Valve  
Sweat & Thread Connections
- CPV-T-PXC: Thermostatic Valve  
PEX F1807 Crimp Inlet Connections
- CPV-T-PXE: Thermostatic Valve  
PEX F1960 Cold-Expansion Inlet  
Connections

### STOCK FINISH:



PC BN MB BBZ

### SPECIALTY FINISHES:



ORB PB PN

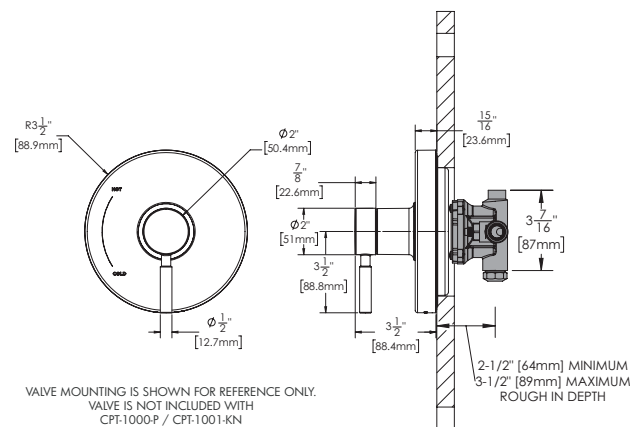
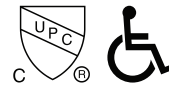
### STANDARDS:

- ASME A112.18.1/CSA B125.1 certified
- ADA compliant

### WARRANTY:

Visit [www.speakman.com](http://www.speakman.com) for full product warranty information

- Limited Lifetime Warranty (consumer)
- 5 Year Limited Warranty (commercial)



All dimensions are in inches (millimeters) unless otherwise specified and are subject to change without notice.

Architect/Engineer Approval Space:

P: 800-537-2107  
F: 800-977-2747  
W: [WWW.SPEAKMAN.COM](http://WWW.SPEAKMAN.COM)  
R: 05-AUGUST 2021