



# HYDRANTS

## Post Hydrant

### MODEL M-100

1" FREEZE RESISTANT,  
COMPRESSION-TYPE POST HYDRANT

#### STANDARD FEATURES

Model M-100 delivers year-round service outside or in unheated buildings. To provide freeze resistant functionality, the control valve is located below the frost line. Turning the handle raises or lowers the internal supply-line assembly, controlling the valve. Constructed of heavy red brass, premium-quality gray iron and steel, the M-100 is designed for trouble-free reliability and easy maintenance.

#### SUGGESTED SPECIFICATIONS

Hydrant shall be Murdock-Super Secur model M-100. Unit shall be capable of year-round use in freezing weather.

Unit shall extend below grade level so that centerline of supply inlet is positioned at or below frost line. Inlet shall have 1" NPT connection.

Water shall be gravity-evacuated from inner supply column when valve is shut off.

Valve shall be turn-handle operated. Handle shall be fabricated of one-piece iron casting finished with a heavy grade of oil-based green enamel. Stock, top, and base shall be fabricated of heavy, one-piece iron castings finished with a heavy grade of oil-based green enamel.

Inner supply assembly shall incorporate solid-brass castings. All solid brass castings shall conform to ASTM standards B61 and B62. Lead-free castings are used in all waterways.

Outer casing shall be black iron pipe, finished with a heavy grade of oil-based green enamel.

Nozzle shall be solid brass casting, threaded for one-inch hose connection.



Standard Model: M-100

#### DEPTH OF BURY (additional costs may be incurred)

- |   |   |
|---|---|
| <input type="checkbox"/> 2 ft. (61 cm)    | <input type="checkbox"/> 5 ft. (152.4 cm) |
| <input type="checkbox"/> 3 ft. (91.4 cm)  | <input type="checkbox"/> 6 ft. (182.9 cm) |
| <input type="checkbox"/> 4 ft. (121.9 cm) | <input type="checkbox"/> Other _____      |

#### OPTIONS (additional costs may be incurred)

- |                                |   |
|--------------------------------|---|
| <input type="checkbox"/> - BFH | Double ball check valve and vacuum breaker* |
| <input type="checkbox"/> - VB  | Vacuum breaker                              |
| <input type="checkbox"/> - LC1 | Locking cover, less padlock*                |
| <input type="checkbox"/> - R01 | Shut off valve with plate*                  |
| <input type="checkbox"/>       | Plain end spout                             |
| <input type="checkbox"/>       | Sewer drain connection                      |

\* See separate option sheets

WARNING: Cancer and Reproductive Harm - [www.P65Warnings.ca.gov](http://www.P65Warnings.ca.gov)

MURDOCK MFG. • 15125 Proctor Avenue • City of Industry, CA 91746 USA  
Phone 800-453-7465 or 626-333-2543 • Fax 626-855-4860 • [www.murdockmfg.com](http://www.murdockmfg.com)

Member of  
  
MORRIS GROUP  
INTERNATIONAL

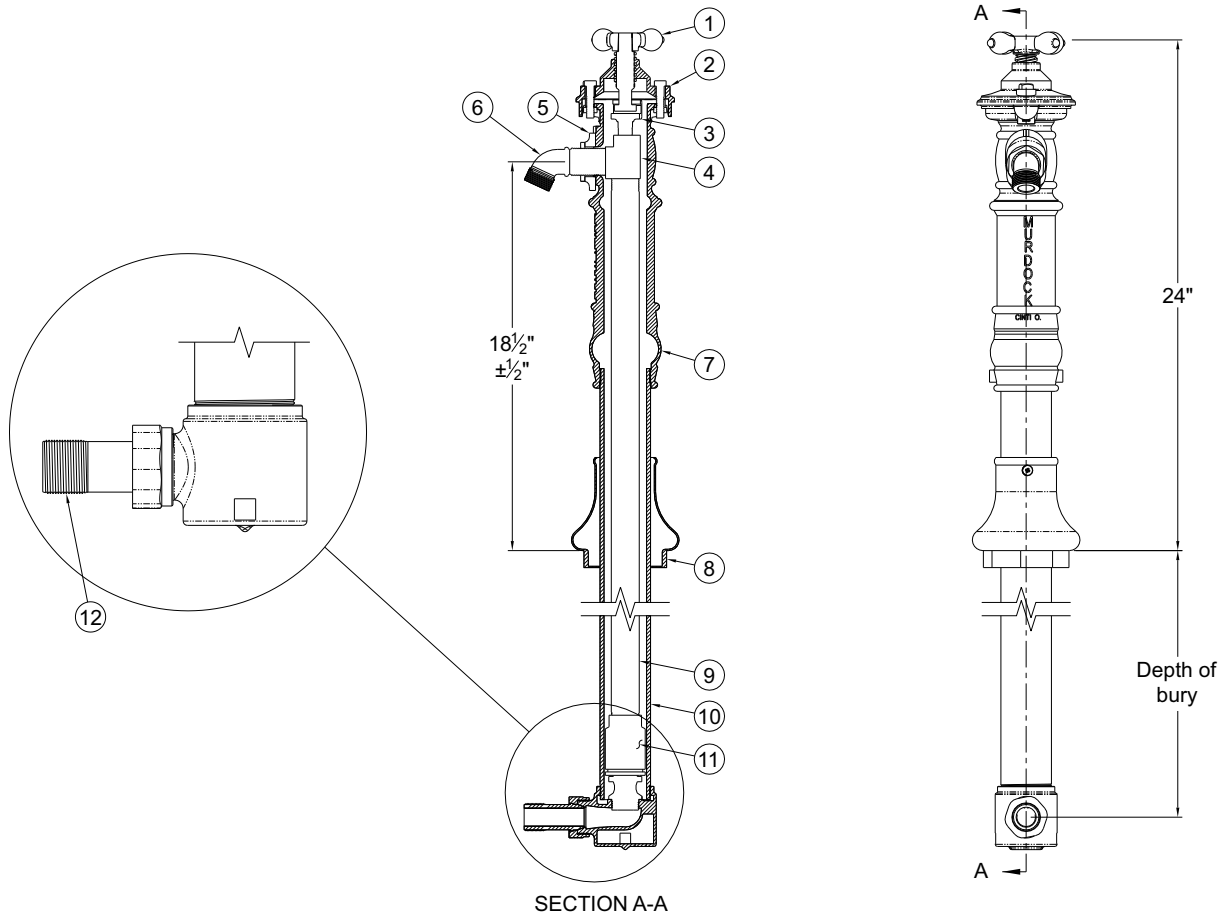


# HYDRANTS

## Post Hydrant

### MODEL M-100

1" FREEZE RESISTANT,  
COMPRESSION-TYPE POST HYDRANT



- |                  |                                  |                     |                                   |
|------------------|----------------------------------|---------------------|-----------------------------------|
| ① Handle & screw | ④ Tee                            | ⑦ Stock             | ⑩ Outer casing                    |
| ② Top            | ⑤ Slide                          | ⑧ Base              | ⑪ Valve                           |
| ③ Stirrup        | ⑥ 1" Hose thread<br>brass nozzle | ⑨ Inner supply pipe | ⑫ 1" male NPT brass<br>connection |

Murdock Mfg.™ warrants that its products are free from defects in material or workmanship under normal use and service for a period of one year from date of shipment. Murdock's liability under this warranty shall be discharged solely by replacement or repair of defective material, provided Murdock™ is notified in writing within one year from date of shipment, F.O.B. Industry, California.

SELECTION SUMMARY & APPROVAL FOR MANUFACTURING	Model Number & Options _____	Quantity _____	All dimensions are subject to manufactures tolerance of plus or minus 1/2" nominal and subject to change without notice. Murdock assumes no responsibility for use of void or superseded data. Dimensions may change with the addition of optional accessories. Murdock Mfg.™, Member of Morris Group International™. Please visit <a href="http://www.murdockmfg.com">www.murdockmfg.com</a> for most current specifications.
	Company _____		
	Contact _____	Title _____	
	Signature (Approval for Manufacturing) _____	Date _____	

MURDOCK MFG. • 15125 Proctor Avenue • City of Industry, CA 91746 USA  
Phone 800-453-7465 or 626-333-2543 • Fax 626-855-4860 • [www.murdockmfg.com](http://www.murdockmfg.com)

Member of  
MORRIS GROUP  
INTERNATIONAL