

SPECIFICATION:

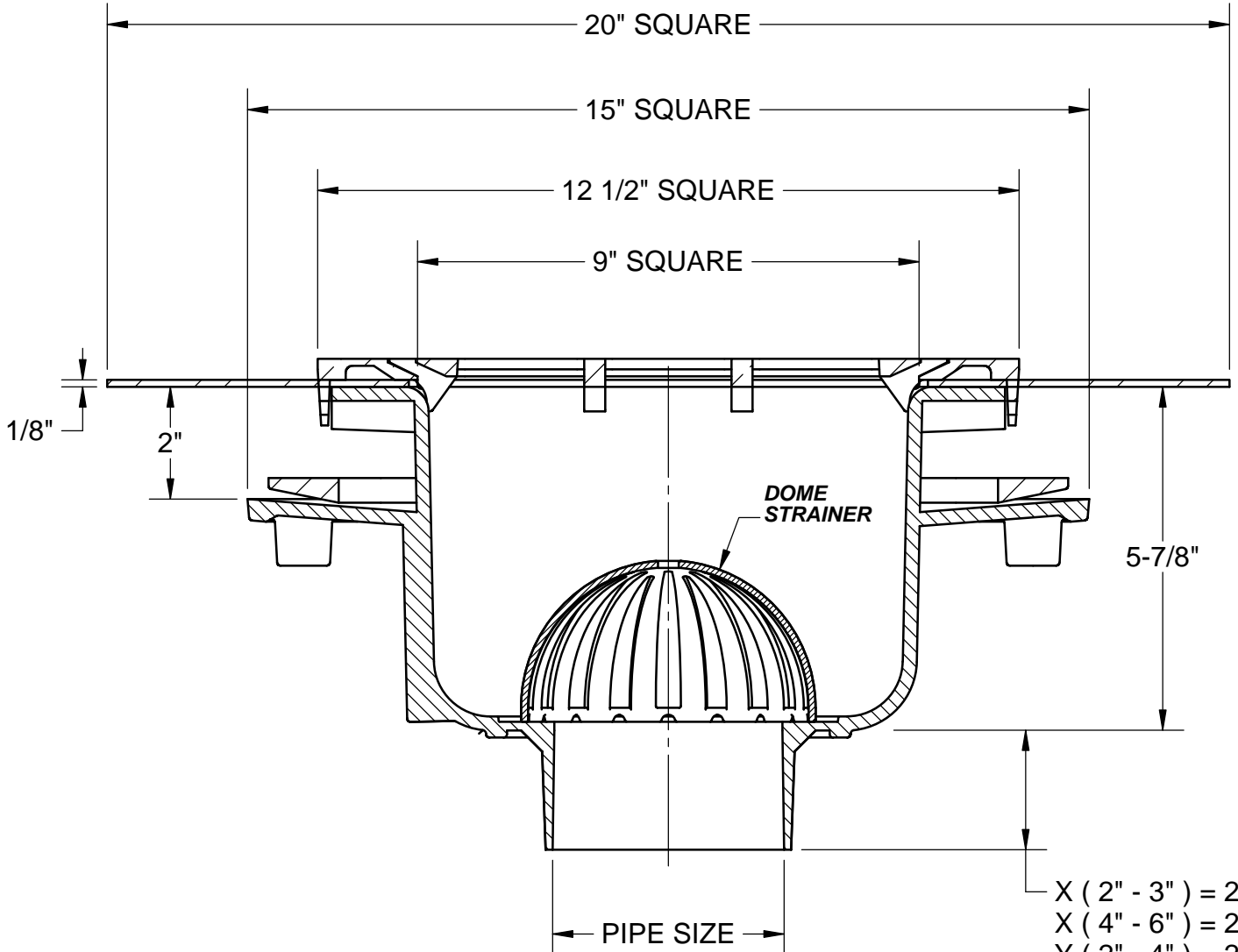
JOSAM SERIES 49320A-NB-6 SQUARE CAST IRON 5-7/8" DEEP SUPER-FLO® FLOOR SINK WITH ACID RESISTING INTERIOR, DOUBLE DRAINAGE FLANGE WITH WEEP HOLES, BOTTOM OUTLET, ALUMINUM INTERNAL DOME STRAINER, CLAMP RING HALVES, NICKEL BRONZE GRATE, AND WIDE FLANGE.

SANITARY FLOOR SINK

12" SQUARE TOP, 6" DEEP

SERIES **49320A-NB-6**

SLOT WIDTH 1/2"



- X (2" - 3") = 2-1/2"
- X (4" - 6") = 2-3/4"
- Y (2" - 4") = 2"
- Z (2" - 4") = 2-1/16"

2"	PIPE SIZE
3"	PIPE SIZE
4"	PIPE SIZE
5"	PIPE SIZE
6"	PIPE SIZE

DATE OF LAST CHANGE: 02/08/2013

DIMENSIONS ARE SUBJECT TO MANUFACTURERS TOLERANCES AND CHANGE WITHOUT NOTICE. WE CAN ASSUME NO RESPONSIBILITY FOR USE OF SUPERSEDED OR VOID DATA.

JOSAM COMPANY
MICHIGAN CITY, INDIANA

NOTES