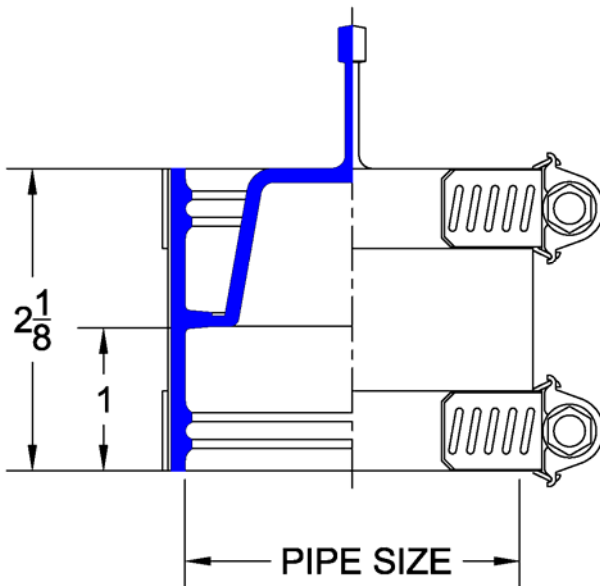
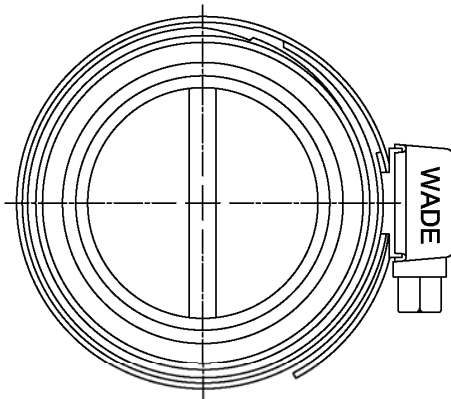


4420 Test Coupling

Project		Engineer		Mechanical	
---------	--	----------	--	------------	--



Pipe Size	
2"	•
3"	
4"	

Regularly Furnished: Neoprene sleeve with stainless steel shield & removable test plug.