

**SPECIFICATION:**

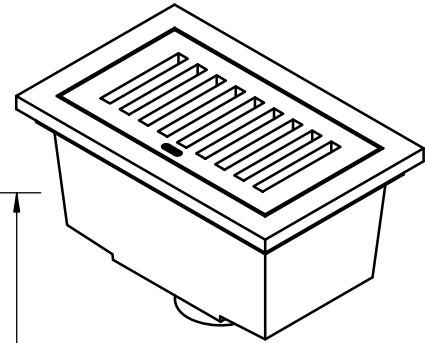
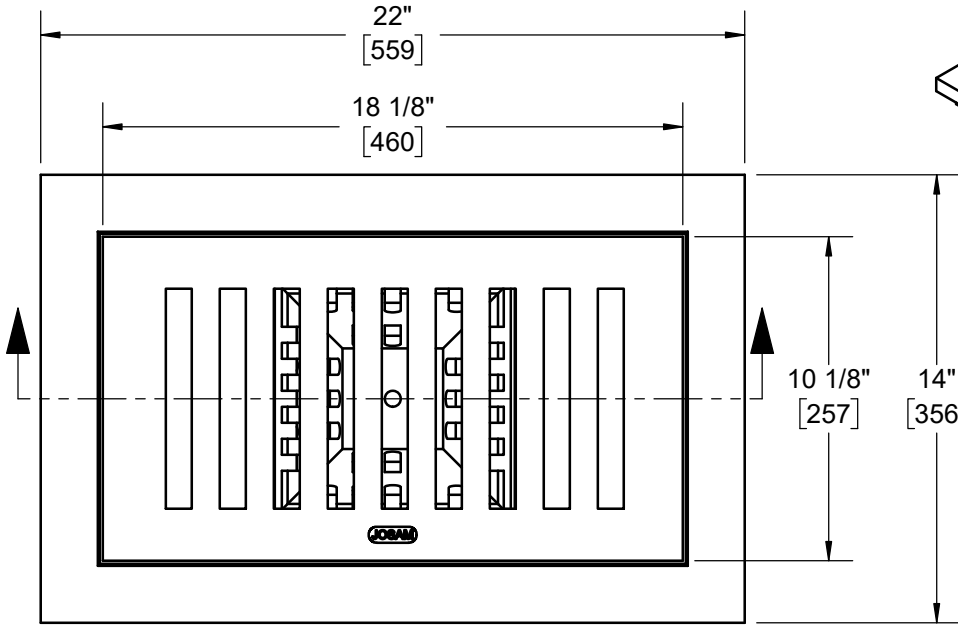
JOSAM 38850 SERIES COATED CAST IRON FLOOR DRAIN, BOTTOM OUTLET INSIDE CAULK CONNECTION, RECTANGULAR TOP, HEAVY-DUTY LOOSE-SET GRATE AND REMOVABLE INTERNAL DOME STRAINER

**FLOOR DRAIN**  
 22" x 14" TOP WITH  
 INTERNAL DOME STRAINER

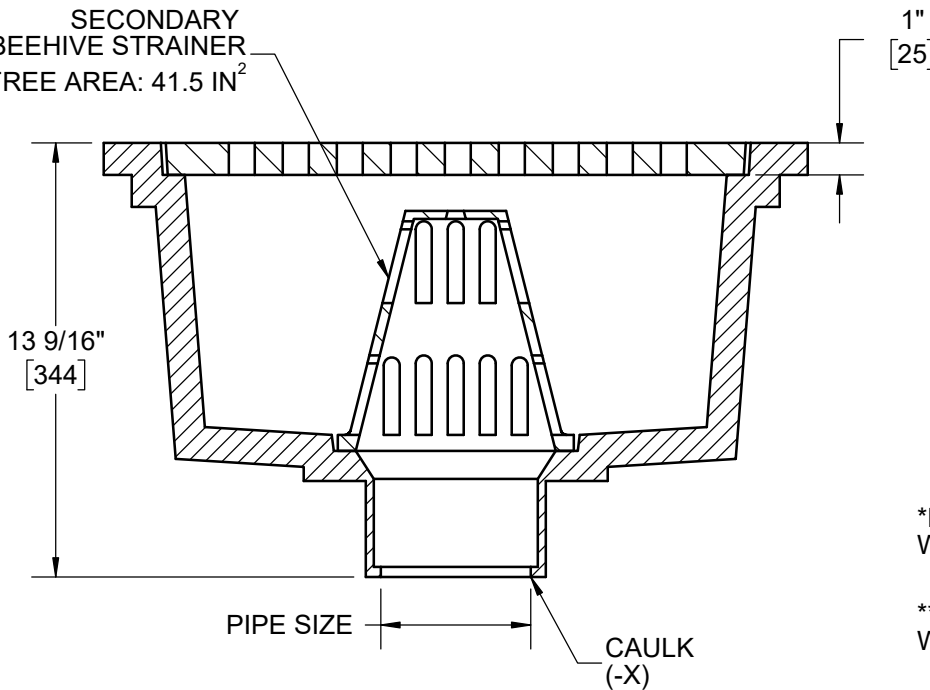
SERIES **38850**

GRATE FREE AREA: 50.2 IN<sup>2</sup>  
 STD. CAST IRON SLOT WIDTH: 13/16"

FORMERLY 36850 SERIES



SECONDARY  
 BEEHIVE STRAINER  
 FREE AREA: 41.5 IN<sup>2</sup>



PIPE SIZE
*3"
4"
**5"
6"

\*NOTE: 3" SIZE USES A 4" BODY WITH A 4" x 3" REDUCING BUSHING

\*\*NOTE: 5" SIZE USES A 6" BODY WITH A 6" x 5" REDUCING BUSHING

-7	DUCTILE IRON COVER
-15	CHAINED GRATE
-VP	SECURED GRATE, VANDAL-PROOF SCREWS
-92	GALVANIZED CAST IRON PARTS
-TSI	TRAP SEAL INSERT (2"-4")

WARNING: Cancer and Reproductive Harm - www.P65Warnings.ca.gov

DATE OF LAST CHANGE: 03/13/19

DIMENSIONS ARE SUBJECT TO MANUFACTURERS TOLERANCES AND CHANGE WITHOUT NOTICE. WE CAN ASSUME NO RESPONSIBILITY FOR USE OF SUPERSEDED OR VOID DATA.



MICHIGAN CITY, INDIANA

NOTES