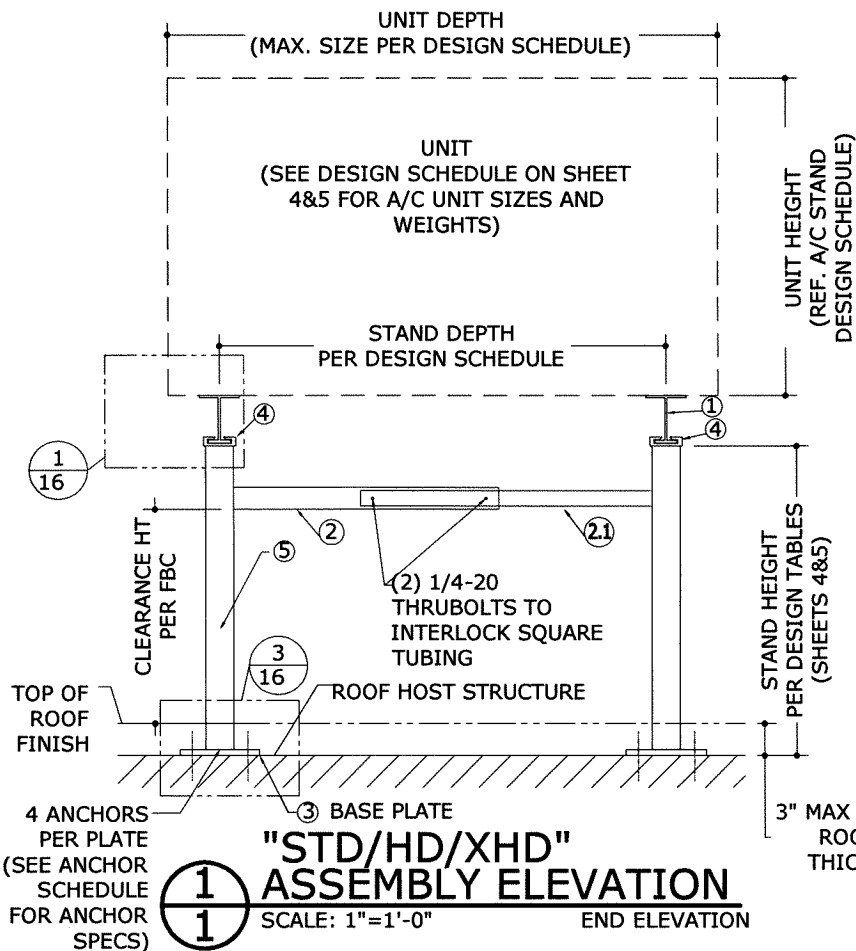
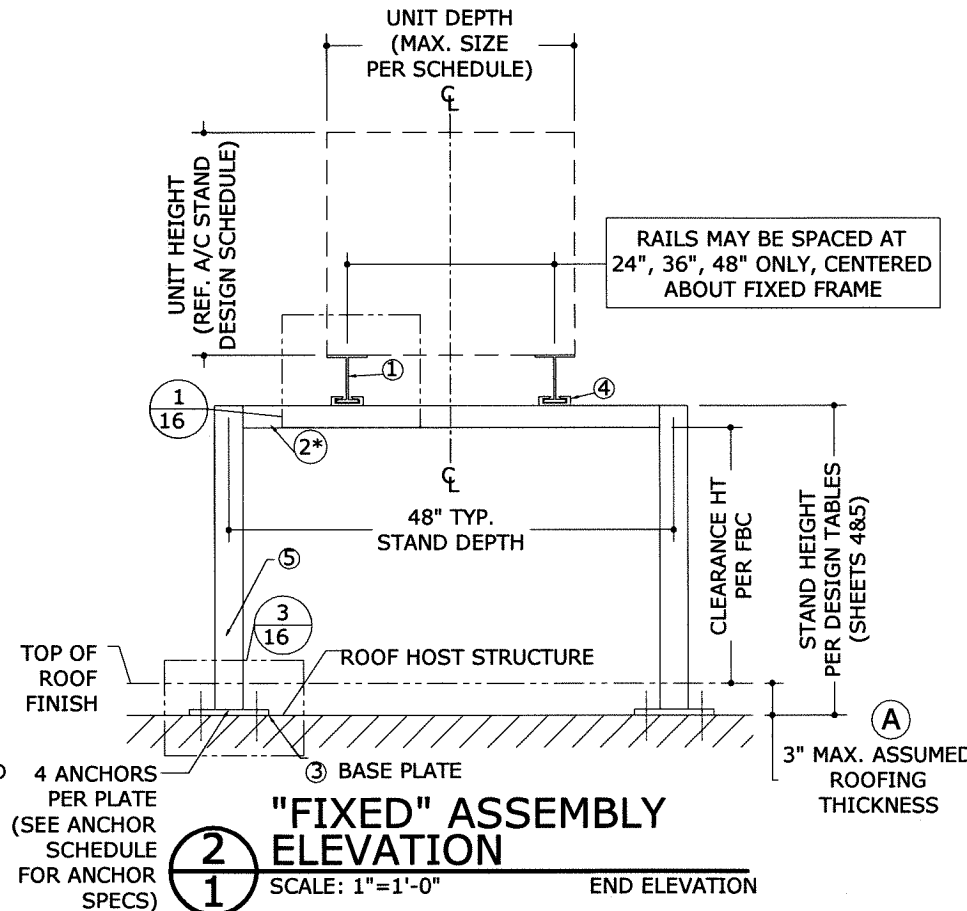


ALUMINUM A/C STAND



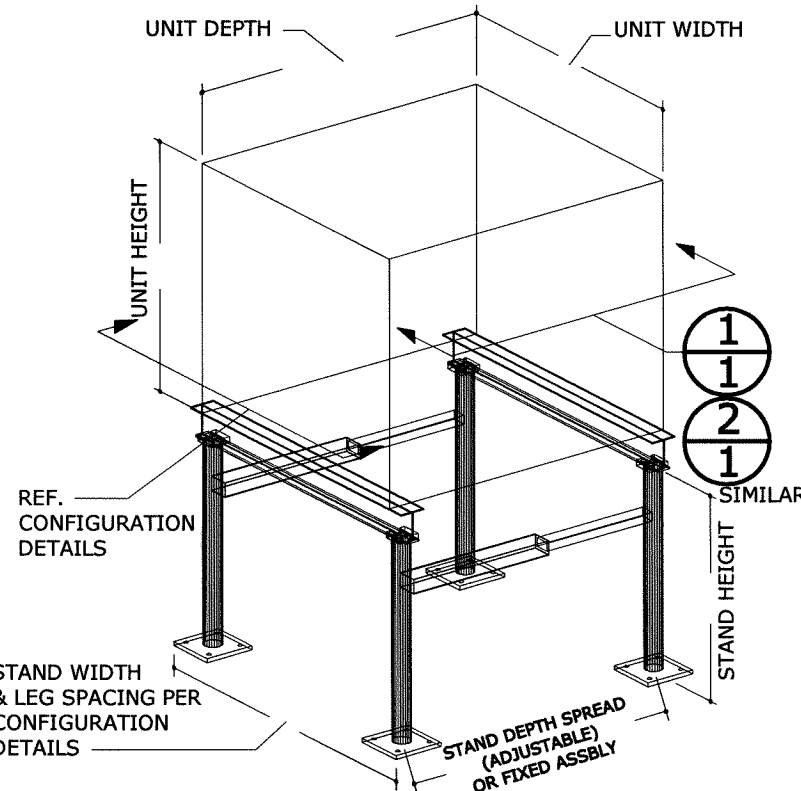
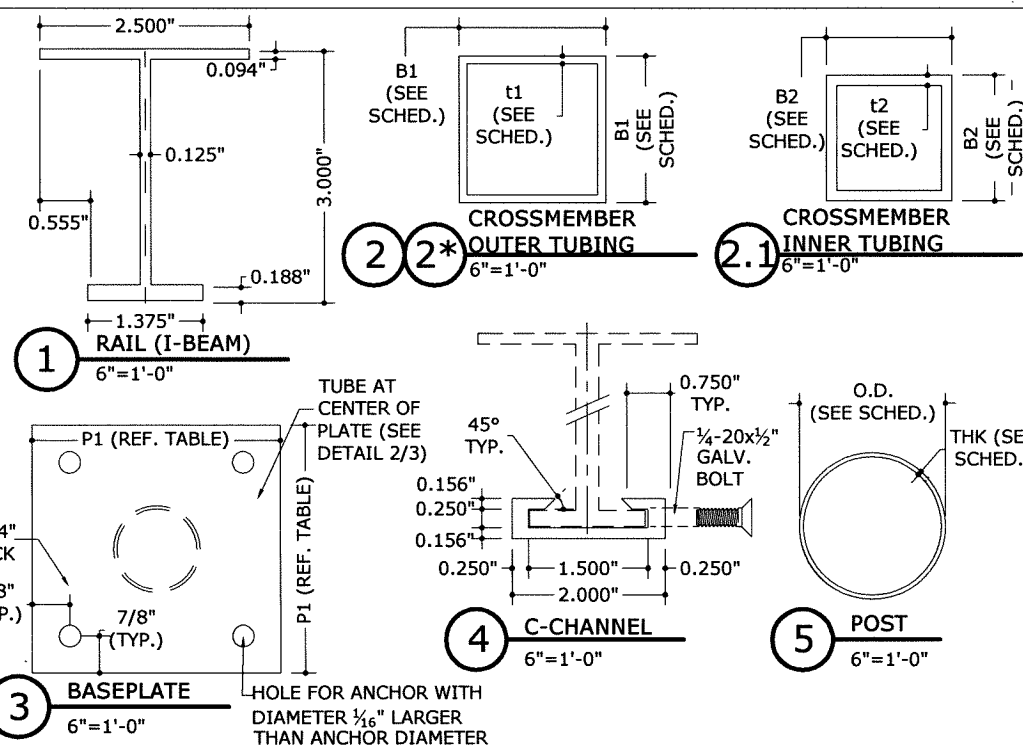
"STD/HD/XHD" ASSEMBLY ELEVATION
SCALE: 1"=1'-0" END ELEVATION



"FIXED" ASSEMBLY ELEVATION
SCALE: 1"=1'-0" END ELEVATION

A UTILIZE NEXT-HIGHEST STAND HEIGHT FOR LARGER ROOF THICKNESS. FOR ROOFING WITHOUT INSULATION OMIT 3" THICKNESS AND UTILIZE CLEAR HEIGHT FROM FINISHED FLOOR. SPECIAL CONDITIONS REQUIRE SITE-SPECIFIC ENGINEERING.

UTILIZE NEXT-SMALLEST STAND DEPTH FOR VALUES IN BETWEEN EXISTING TABLES
75# MIN./450 # MAX UNIT WEIGHT AS VERIFIED BY OTHERS, TYP.



MAXIMUM ALLOWABLE DESIGN PRESSURES:
AS NOTED IN DESIGN SCHEDULES

DESIGN NOTES:

DESIGN PRESSURES CALCULATED FOR USE WITH THIS SYSTEM SHALL BE DETERMINED SEPARATELY ON A JOB-SPECIFIC BASIS IN ACCORDANCE WITH THE GOVERNING CODE USING ASD METHODOLOGY. SITE-SPECIFIC PRESSURE REQUIREMENTS AS DETERMINED IN ACCORDANCE WITH ASCE 7-10 AND CHAPTER 16 OF THE FLORIDA BUILDING CODE SIXTH EDITION (2017) & 2015 INTERNATIONAL BUILDING CODE (AS APPLICABLE) SHALL BE LESS THAN OR EQUAL TO THE LATERAL AND UPLIFT DESIGN PRESSURE CAPACITY VALUES LISTED HEREIN FOR ANY ASSEMBLY AS SHOWN.

GENERAL NOTES

- THIS SYSTEM HAS BEEN DESIGNED AND SHALL BE FABRICATED IN ACCORDANCE WITH THE STRUCTURAL PROVISIONS OF THE FLORIDA BUILDING CODE SIXTH EDITION (2017) & THE 2015 INTERNATIONAL BUILDING CODE FOR USE WITHIN AND OUTSIDE OF THE HIGH VELOCITY HURRICANE ZONE.
- CONTRACTOR SHALL ENSURE THAT EACH INSTALLATION ASSEMBLY MEET THE MINIMUM CLEARANCE HEIGHT PER FBC SECTION 1510.10 FOR NON-HVHZ APPLICATIONS AND SECTION 1522.2 FOR HVHZ APPLICATIONS.
- SEISMIC DESIGN DOES NOT GOVERN. SEISMIC PARAMETERS CHECKED: RISK CATEGORY II, IMPORTANCE FACTOR 1.0, $S_s=0.057$, $S_1=0.022$, SITE CLASS D, $S_d=0.061$, $S_d1=0.0355$, SEISMIC DESIGN CATEGORY D, SEISMIC DEMANDS ON NON-STRUCTURAL COMPONENTS (MECHANICAL COMPONENTS, AC UNITS), $F_{pMAX} = 46$ LBS, $A_p=2.5$, $R_p=6.0$, UP TO 200' MRH.
- MAXIMUM DIMENSIONS AND WEIGHT OF A/C UNIT SHALL CONFORM TO SPECIFICATIONS STATED HEREIN, MINIMUM 75LB OR MAXIMUM AS LISTED HEREIN.
- THE ARCHITECT/ENGINEER OF RECORD FOR THE PROJECT SUPERSTRUCTURE WITH WHICH THIS DESIGN IS USED SHALL BE RESPONSIBLE FOR THE INTEGRITY OF ALL SUPPORTING SURFACES TO THIS DESIGN WHICH SHALL BE COORDINATED BY THE PERMITTING CONTRACTOR.
- REACTION FORCES LISTED FOR USE WITH HOST STRUCTURE VERIFICATION ARE CALCULATED USING ASD METHODOLOGY. DESIGN PROFESSIONAL OF RECORD TO VERIFY APPLICABILITY AND/OR ADDITIONAL FACTORS FOR USE WITH HOST STRUCTURE VERIFICATION.
- ALL FASTENERS TO BE #10 OR GREATER SAE GRADE 5, UNLESS NOTED OTHERWISE, CADMIUM PLATED OR OTHERWISE CORROSION RESISTANT MATERIAL AND SHALL COMPLY WITH ANY APPLICABLE FEDERAL, STATE, AND LOCAL CODES. PROVIDE (5) PITCHES MIN PAST THREAD PLANE.
- ALL EXTRUDED MEMBERS SHALL BE ALUMINUM ALLOY TYPE 6061-T6 OR 6005-T5.
- ALL EXISTING CONCRETE SUBSTRATE SHALL HAVE MINIMUM f_c COMPRESSIVE STRENGTH OF 3000 PSI AS VERIFIED BY OTHERS.
- ALUMINUM WELDING SHALL BE PERFORMED IN ACCORDANCE WITH FBC SECTION 2003.8.1.4 WITH WELD FILLER ALLOYS MEETING ANSI/AWS A5.10 STANDARDS TO ACHIEVE ULTIMATE DESIGN STRENGTH IN ACCORDANCE WITH THE ALUMINUM DESIGN MANUAL, TABLE A.3.6 WELD FILLER: 5383 ELECTRODES. ALL ALUMINUM CONSTRUCTION SHALL BE IN CONFORMANCE WITH THE TOLERANCES, QUALITY AND METHODS OF CONSTRUCTION AS SET FORTH IN FBC SECTION 2003.2 AND THE AMERICAN WELDING SOCIETY'S STRUCTURAL WELDING CODE-ALUMINUM. MINIMUM WELD IS $\frac{1}{8}$ " THROAT FULL PERIMETER FILLET WELD UNLESS OTHERWISE NOTED.
- THE CONTRACTOR IS RESPONSIBLE TO INSULATE MEMBERS FROM DISSIMILAR MATERIALS TO PREVENT ELECTROLYSIS.
- ELECTRICAL GROUND, WHEN REQUIRED, TO BE DESIGNED & INSTALLED BY OTHERS. ALL MECHANICAL SPECIFICATIONS (CLEAR SPACE, TONNAGE, ETC.) SHALL BE AS PER MANUFACTURER RECOMMENDATIONS AND ARE THE EXPRESS RESPONSIBILITY OF THE CONTRACTOR.
- ENGINEER SEAL AFFIXED HERETO VALIDATES STRUCTURAL DESIGN AS SHOWN ONLY. USE OF THIS SPECIFICATION BY CONTRACTOR, et. al. INDEMNIFIES & SAVES HARMLESS THIS ENGINEER FOR ALL COST & DAMAGES INCLUDING LEGAL FEES & APPELLATE FEES RESULTING FROM MATERIAL FABRICATION, SYSTEM ERECTION, CONSTRUCTION PRACTICES BEYOND THAT WHICH IS CALLED FOR BY LOCAL, STATE, & FEDERAL CODES & FROM DEVIATIONS OF THIS PLAN.
- THE SYSTEM DETAILED HEREIN IS GENERIC AND DOES NOT PROVIDE INFORMATION FOR A SPECIFIC SITE. FOR SITE CONDITIONS DIFFERENT FROM THE CONDITIONS DETAILED HEREIN, A LICENSED ENGINEER OR REGISTERED ARCHITECT SHALL PREPARE SITE SPECIFIC DOCUMENTS FOR USE IN CONJUNCTION WITH THIS DOCUMENT.
- EXCEPT AS EXPRESSLY PROVIDED HEREIN, NO ADDITIONAL CERTIFICATIONS OR AFFIRMATIONS ARE INTENDED.
- AC STANDS SHALL BE LABELED CONTAINING:
PRECISION ALUMINUM PRODUCTS, INC.
DEERFIELD BEACH, FL
FLORIDA PRODUCT APPROVAL NUMBER

FRANK L. BENNARDO, P.E.
PE# 0046549
10/18/2017
PE# 0046549

PRECISION ALUMINUM PRODUCTS, INC.
CORPORATE OFFICE:
160 SW 12th AVE, SUITE 106
DEERFIELD BEACH, FL 33442
P: (954) 354-0660 F: (954) 354-0443
E: HELLO@ENGINEERINGEXPRESS.COM
ENGINEERINGEXPRESS.COM
CERT OF AUTH #9885

PRECISION ALUMINUM PRODUCTS, INC.
1339 SW 1ST WAY
DEERFIELD BEACH, FL 33441
PH: (954)-480-6919
ALUMINUM A/C STANDS HVHZ & NON-HVHZ APPLICATIONS
FLORIDA BUILDING CODE SIXTH EDITION (2017)
PRODUCT APPROVAL FL#16921.1

DATE	DRWN/CHKD	DATE	REMARKS
07-08-09	TSB	07-08-09	INIT ISSUE
05-11-12	CSL	05-11-12	REV 2010 FBC
06-15-15	CSL	06-15-15	REV FBC 5TH (2014)
08-02-17	LAO	08-02-17	REV FBC 6TH (2017)

THIS DOCUMENT IS THE PROPERTY OF ENGINEERING EXPRESS AND SHALL NOT BE REPRODUCED IN WHOLE OR PART WITHOUT WRITTEN CONSENT OF ENGINEERING EXPRESS. ALTERATIONS, ADDITIONS OR OTHER MARKINGS TO THIS DOCUMENT ARE NOT PERMITTED AND INVALIDATE OUR CERTIFICATION.

COPYRIGHT ENGINEERING EXPRESS
15-2480
SCALE: 1/16

10/18/2017 - 9:24am zachr V:\Projects\15-2480 Aluminum AC Stand - FSA - Update FL16921 for 2014 Florida Bldg Code-Project\WP15-2480h-Dwg-FL16921.1.dwg

STAND COMPONENTS

STAND TYPE/COMPONENT SCHEDULE					
PART	DESCR.	STAND TYPE			
		XHD	HD	STD	HD FIXED
2	OUTER TUBE SIZE (B1 x B1 x t1)	2.00" x 2.00" x 0.093"	1.25" x 1.25" x 0.093"	1.25" x 1.25" x 0.093"	N/A
2*	OUTER TUBE SIZE (B1 x B1 x t1)	N/A	N/A	N/A	2.00" x 2.00" x 0.093"
2.1	INNER TUBE SIZE (B2 x B2 x t2)	1.75" x 1.75" x 0.125"	1.25" x 1.25" x 0.125"	1.00" x 1.00" x 0.125"	N/A
4	POST SIZE (OD X THK)	1.9" x 0.200"	1.9" x 0.145"	1.5" x 0.090"	1.9" x 0.145"
5	BASEPLATE SIZE (P1 X P1)	6" X 6"	5" X 5"	•4" X 4" UP TO 24" STAND HT •5" X 5" FOR 30" STAND HT	5" X 5"

- LEGEND:
- "HD" = HEAVY DUTY
 - "STD" = STANDARD
 - "XHD" = EXTRA HEAVY DUTY

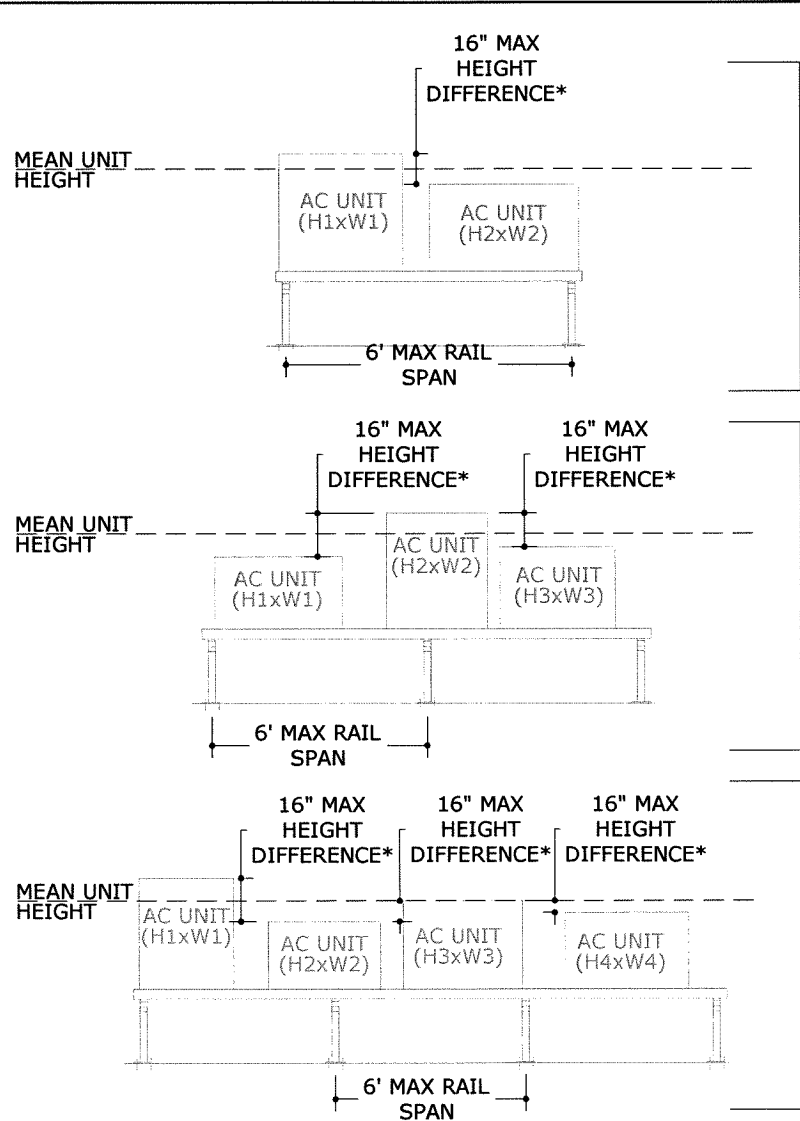
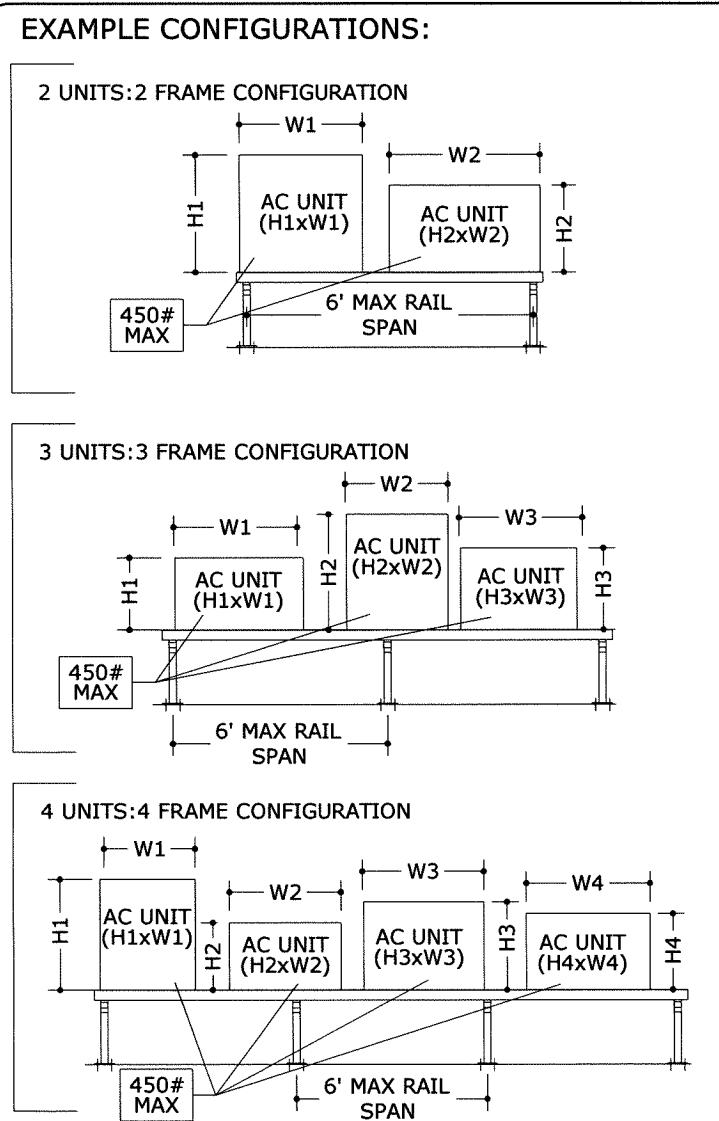
2* SHALL BE UTILIZED FOR FIXED ASSEMBLY ONLY

FRANK L. BENNARDO, P.E.
PE# 0046549

10/18/2017

STATE OF FLORIDA
ENGINEERING EXPRESS, INC.
CORPORATE OFFICE: SUITE 106
DEERFIELD BEACH, FL 33442
P: (954) 354-0660 F: (954) 354-0443
E: HELLO@ENGINEERINGEXPRESS.COM
ENGINEERINGEXPRESS.COM
CERT OF AUTH #9885

MEAN UNIT HEIGHT & MAX FACE AREA CALCULATION DIRECTIVE: THIS DIRECTIVE SHALL BE USED TO CALCULATE THE MEAN UNIT HEIGHT & MAXIMUM FACE AREA OF ANY MULTIPLE UNIT CONFIGURATION.



FORMULAS USED FOR DETERMINING MEAN UNIT HEIGHT & MAXIMUM UNIT FACE AREA:

1. CALCULATE THE MEAN UNIT HEIGHT BY THE FOLLOWING EQUATION:

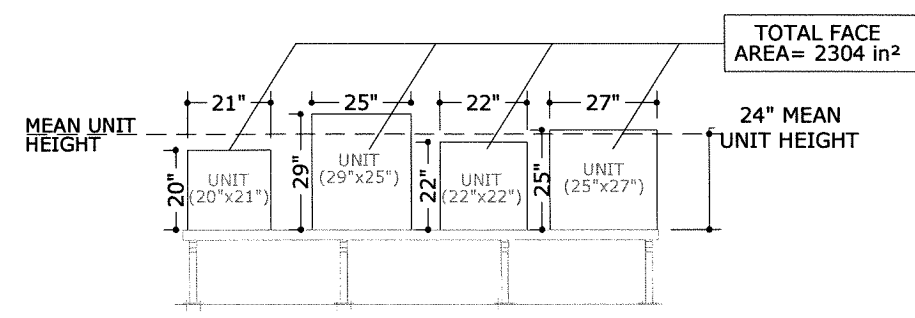
- TWO UNITS: $\frac{H1+H2}{2}$
- THREE UNITS: $\frac{H1+H2+H3}{3}$
- FOUR UNITS: $\frac{H1+H2+H3+H4}{4}$
- "n" UNITS: $\frac{H1+H2+H3+...+Hn}{n}$

2. CALCULATE THE MAXIMUM UNIT FACE AREA BY THE FOLLOWING EQUATION:

- TWO UNITS: $(H1 \times W1) + (H2 \times W2)$
- THREE UNITS: $(H1 \times W1) + (H2 \times W2) + (H3 \times W3)$
- FOUR UNITS: $(H1 \times W1) + (H2 \times W2) + (H3 \times W3) + (H4 \times W4)$
- "n" UNITS: $(H1 \times W1) + ... + (Hn \times Wn)$

EXAMPLE SCENARIO:

- CONSIDER A FOUR UNIT CONFIGURATION WITH THE DIMENSIONS AS SHOWN BELOW.
- CALCULATE THE MEAN UNIT HEIGHT.
 - FOUR UNITS: $\frac{H1+H2+H3+H4}{4} = \frac{20''+29''+22''+25''}{4} = 24''$ MEAN UNIT HEIGHT
- CALCULATE THE MAXIMUM FACE AREA.
 - FOUR UNITS: $(H1 \times W1) + (H2 \times W2) + (H3 \times W3) + (H4 \times W4) = (20'' \times 21'') + (29'' \times 25'') + (22'' \times 22'') + (25'' \times 27'')$
 - = 2304 in²



NOTE: THE NUMBER OF UNITS PER STAND CONFIGURATION MAY BE UNLIMITED PROVIDED THAT MULTIPLE UNITS CONFORM TO THE MEAN UNIT HEIGHT & MAXIMUM UNIT FACE AREA RESTRICTIONS UTILIZED IN THE DESIGN SCHEDULES.

*MAXIMUM ALLOWABLE HEIGHT DIFFERENCE BETWEEN ANY UNITS IN A MULTIPLE UNIT CONFIGURATION IS RESTRICTED TO 16" MAX.

PRECISION ALUMINUM PRODUCTS, INC.

1339 SW 1ST WAY
DEERFIELD BEACH, FL 33441
PH: (954)-480-6919

ALUMINUM A/C STANDS HVHZ & NON-HVHZ APPLICATIONS
FLORIDA BUILDING CODE SIXTH EDITION (2017)
PRODUCT APPROVAL FL# 16921.1

REMARKS	DRWN	CHKD	DATE
INIT ISSUE	TSB	FLB	07-08-09
REV 2010 FBC	CSL	TSB	05-11-12
REV FBC 6TH (2014)	CSL	CSL	06-15-15
REV FBC 6TH (2017)	LAO	FLB	08-02-17

THIS DOCUMENT IS THE PROPERTY OF ENGINEERING EXPRESS, AND SHALL NOT BE REPRODUCED IN WHOLE OR PART WITHOUT WRITTEN CONSENT OF ENGINEERING EXPRESS. ALTERATIONS, ADDITIONS OR OTHER MARKINGS TO THIS DOCUMENT ARE NOT PERMITTED AND INVALIDATE OUR CERTIFICATION.

15-2480

SCALE:

2

V:\Projects\15-2480 Aluminum AC Stand - FSA - Update FL16921 for 2014 Florida Bldg Code-Project\WP15-2480-Dwg-FL16921.1.dwg

"STD" STAND DESIGN SCHEDULES & STAND DIRECTIVE EXAMPLE

24" STAND DEPTH: MAX FACE AREA (2760in² - 11520in²), FRAME QUANTITY (5-8 FRAMES)

STAND CLEAR HEIGHT	MAX MEAN UNIT HEIGHT	MAX FACE AREA	UNIT TO FRAME RATIO																LOAD TRANSFER INFORMATION FOR USE WITH MOST STRUCTURE VERIFICATION ONLY			
			MAX FACE AREA : 8 FRAMES				MAX FACE AREA : 7 FRAMES				MAX FACE AREA : 6 FRAMES				MAX FACE AREA : 5 FRAMES				MAX. BASE MOMENT (M)	MAX. BASE SHEAR (V)	MAX. BASE UPLIFT (T)	MAX. BASE GRAVITY (G)
			ANCHOR TYPE: 1 OR 4		ANCHORS TYPE: 2 OR 3		ANCHOR TYPE: 1 OR 4		ANCHORS TYPE: 2 OR 3		ANCHOR TYPE: 1 OR 4		ANCHORS TYPE: 2 OR 3		ANCHOR TYPE: 1 OR 4		ANCHORS TYPE: 2 OR 3					
MAX ALLOWABLE LATERAL LOAD	MAX ALLOWABLE UPLIFT	MAX ALLOWABLE LATERAL LOAD	MAX ALLOWABLE UPLIFT	MAX ALLOWABLE LATERAL LOAD	MAX ALLOWABLE UPLIFT	MAX ALLOWABLE LATERAL LOAD	MAX ALLOWABLE UPLIFT	MAX ALLOWABLE LATERAL LOAD	MAX ALLOWABLE UPLIFT	MAX ALLOWABLE LATERAL LOAD	MAX ALLOWABLE UPLIFT	MAX ALLOWABLE LATERAL LOAD	MAX ALLOWABLE UPLIFT	MAX ALLOWABLE LATERAL LOAD	MAX ALLOWABLE UPLIFT	MAX ALLOWABLE LATERAL LOAD	MAX ALLOWABLE UPLIFT					
18"	24"	2760 in ²	111.0 PSF	87.6 PSF	111.0 PSF	87.6 PSF	97.1 PSF	76.7 PSF	97.1 PSF	76.7 PSF	83.2 PSF	65.7 PSF	83.2 PSF	65.7 PSF	69.4 PSF	54.7 PSF	69.4 PSF	54.7 PSF	136.10 LB-FT	133.0 LB	456.8 LB	437.8 LB
24"			87.3 PSF	68.9 PSF	87.3 PSF	68.9 PSF	76.4 PSF	60.3 PSF	76.4 PSF	60.3 PSF	65.5 PSF	51.7 PSF	65.5 PSF	51.7 PSF	54.6 PSF	43.1 PSF	54.6 PSF	43.1 PSF	136.10 LB-FT	104.6 LB	408.7 LB	425.5 LB
30"			72.3 PSF	57.1 PSF	72.3 PSF	57.1 PSF	63.3 PSF	50.0 PSF	63.3 PSF	50.0 PSF	54.2 PSF	42.8 PSF	54.2 PSF	42.8 PSF	45.2 PSF	35.7 PSF	45.2 PSF	35.7 PSF	136.10 LB-FT	86.7 LB	379.5 LB	419.1 LB
36"			61.9 PSF	48.9 PSF	61.9 PSF	48.9 PSF	54.2 PSF	42.8 PSF	54.2 PSF	42.8 PSF	46.4 PSF	36.6 PSF	46.4 PSF	36.6 PSF	38.7 PSF	30.5 PSF	38.7 PSF	30.5 PSF	136.10 LB-FT	74.2 LB	359.9 LB	415.3 LB
18"	30"	4650 in ²	65.9 PSF	52.0 PSF	65.9 PSF	52.0 PSF	57.6 PSF	45.5 PSF	57.6 PSF	45.5 PSF	49.4 PSF	39.0 PSF	49.4 PSF	39.0 PSF	41.1 PSF	32.5 PSF	41.1 PSF	32.5 PSF	136.10 LB-FT	133.0 LB	490.0 LB	471.1 LB
24"			51.8 PSF	40.9 PSF	51.8 PSF	40.9 PSF	45.3 PSF	35.8 PSF	45.3 PSF	35.8 PSF	38.8 PSF	30.7 PSF	38.8 PSF	30.7 PSF	32.4 PSF	25.5 PSF	32.4 PSF	25.5 PSF	136.10 LB-FT	104.6 LB	434.9 LB	451.7 LB
30"			42.9 PSF	33.9 PSF	42.9 PSF	33.9 PSF	37.5 PSF	29.6 PSF	37.5 PSF	29.6 PSF	32.2 PSF	25.4 PSF	32.2 PSF	25.4 PSF	26.8 PSF	21.2 PSF	26.8 PSF	21.2 PSF	136.10 LB-FT	86.7 LB	401.2 LB	440.7 LB
36"			36.7 PSF	29.0 PSF	36.7 PSF	29.0 PSF	32.1 PSF	25.4 PSF	32.1 PSF	25.4 PSF	27.5 PSF	21.7 PSF	27.5 PSF	21.7 PSF	22.9 PSF	18.1 PSF	22.9 PSF	18.1 PSF	136.10 LB-FT	74.2 LB	378.5 LB	433.8 LB
18"	36"	6300 in ²	48.6 PSF	38.4 PSF	48.6 PSF	38.4 PSF	42.5 PSF	33.6 PSF	42.5 PSF	33.6 PSF	36.4 PSF	28.8 PSF	36.4 PSF	28.8 PSF	30.4 PSF	24.0 PSF	30.4 PSF	24.0 PSF	136.10 LB-FT	133.0 LB	523.3 LB	504.3 LB
24"			38.2 PSF	30.2 PSF	38.2 PSF	30.2 PSF	33.4 PSF	26.4 PSF	33.4 PSF	26.4 PSF	28.7 PSF	22.6 PSF	28.7 PSF	22.6 PSF	23.9 PSF	18.8 PSF	23.9 PSF	18.8 PSF	136.10 LB-FT	104.6 LB	461.0 LB	477.9 LB
30"			31.7 PSF	25.0 PSF	31.7 PSF	25.0 PSF	27.7 PSF	21.9 PSF	27.7 PSF	21.9 PSF	23.7 PSF	18.7 PSF	23.7 PSF	18.7 PSF	20.3 PSF	16.0 PSF	20.3 PSF	16.0 PSF	136.10 LB-FT	86.7 LB	422.9 LB	439.9 LB
36"			27.1 PSF	21.4 PSF	27.1 PSF	21.4 PSF	23.7 PSF	18.7 PSF	23.7 PSF	18.7 PSF	20.3 PSF	16.0 PSF	20.3 PSF	16.0 PSF	16.0 PSF	12.0 PSF	16.0 PSF	12.0 PSF	136.10 LB-FT	74.2 LB	397.1 LB	429.9 LB
18"	42"	8400 in ²	36.4 PSF	28.8 PSF	36.4 PSF	28.8 PSF	31.9 PSF	25.2 PSF	31.9 PSF	25.2 PSF	27.3 PSF	21.6 PSF	27.3 PSF	21.6 PSF	22.8 PSF	18.0 PSF	22.8 PSF	18.0 PSF	136.10 LB-FT	133.0 LB	556.6 LB	537.6 LB
24"			28.7 PSF	22.6 PSF	28.7 PSF	22.6 PSF	25.1 PSF	19.8 PSF	25.1 PSF	19.8 PSF	21.5 PSF	16.9 PSF	21.5 PSF	16.9 PSF	18.0 PSF	14.0 PSF	18.0 PSF	14.0 PSF	136.10 LB-FT	104.6 LB	487.2 LB	481.5 LB
30"			23.7 PSF	18.7 PSF	23.7 PSF	18.7 PSF	20.8 PSF	16.4 PSF	20.8 PSF	16.4 PSF	19.8 PSF	15.4 PSF	19.8 PSF	15.4 PSF	16.9 PSF	13.0 PSF	16.9 PSF	13.0 PSF	136.10 LB-FT	86.7 LB	444.6 LB	445.5 LB
36"			20.3 PSF	16.0 PSF	20.3 PSF	16.0 PSF	18.7 PSF	14.4 PSF	18.7 PSF	14.4 PSF	17.3 PSF	13.0 PSF	17.3 PSF	13.0 PSF	15.4 PSF	11.0 PSF	15.4 PSF	11.0 PSF	136.10 LB-FT	74.2 LB	415.6 LB	420.3 LB
18"	48"	11520 in ²	26.6 PSF	21.0 PSF	26.6 PSF	21.0 PSF	23.2 PSF	18.3 PSF	23.2 PSF	18.3 PSF	21.5 PSF	16.9 PSF	21.5 PSF	16.9 PSF	18.0 PSF	14.0 PSF	18.0 PSF	14.0 PSF	136.10 LB-FT	133.0 LB	589.8 LB	532.3 LB
24"			20.9 PSF	16.5 PSF	20.9 PSF	16.5 PSF	18.7 PSF	14.4 PSF	18.7 PSF	14.4 PSF	17.3 PSF	13.0 PSF	17.3 PSF	13.0 PSF	15.4 PSF	11.0 PSF	15.4 PSF	11.0 PSF	136.10 LB-FT	104.6 LB	513.4 LB	479.6 LB
30"			18.7 PSF	14.4 PSF	18.7 PSF	14.4 PSF	17.3 PSF	13.0 PSF	17.3 PSF	13.0 PSF	15.4 PSF	11.0 PSF	15.4 PSF	11.0 PSF	14.4 PSF	10.0 PSF	14.4 PSF	10.0 PSF	136.10 LB-FT	86.7 LB	444.6 LB	445.5 LB
36"			16.5 PSF	12.0 PSF	16.5 PSF	12.0 PSF	15.4 PSF	11.0 PSF	15.4 PSF	11.0 PSF	14.4 PSF	10.0 PSF	14.4 PSF	10.0 PSF	13.0 PSF	9.0 PSF	13.0 PSF	9.0 PSF	136.10 LB-FT	74.2 LB	415.6 LB	420.3 LB

TABLE LEGEND:
 - DENOTES VALUES NOT APPROVED FOR USE

DESIGN SCHEDULE NOTES:

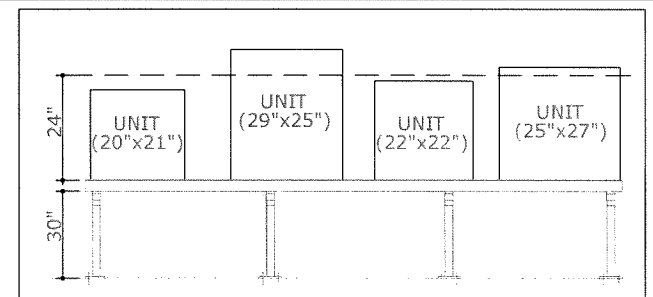
- MAXIMUM CALCULATED FACE AREA SHALL BE EQUAL TO OR LESS THAN THE MAXIMUM ALLOWABLE FACE AREA FOR EACH CONFIGURATION.
- REFERENCE ANCHOR SCHEDULE FOR ANCHOR TYPES LISTED HEREIN.

STAND EXAMPLE

(THE FOLLOWING EXAMPLE ILLUSTRATES THE PROCEDURE USED TO DETERMINE THE MAXIMUM ALLOWABLE WIND PRESSURE & UPLIFT FOR ANY GIVEN MECHANICAL UNIT CONFIGURATION THAT CONFORMS TO THE DIMENSION RESTRICTIONS LISTED HEREIN. SEE SHEET 2 FOR MEAN UNIT HEIGHT & MAXIMUM FACE AREA CALCULATION DIRECTIVE. SEE SHEET 2 FOR COMPONENT SCHEDULE. SEE SHEET 9 FOR ANCHOR SCHEDULES.)

MECHANICAL UNIT/STAND CRITERIA:

- CONSIDER THE INSTALLATION OF (4) MECHANICAL UNITS, (1)-20" TALL x 24" DEEP x 21" WIDE, (1)-29" TALL x 24" DEEP x 25" WIDE, (1)-22" TALL x 24" DEEP x 22" WIDE, (1)-25" TALL x 27" DEEP x 27" WIDE, [350 LB MAX WEIGHT] INSTALLED WITH THE FOLLOWING CRITERIA:
- NUMBER OF LEG FRAMES= (5) FRAMES
 - STAND HEIGHT= 18" HEIGHT
 - STAND DEPTH= 24" STAND DEPTH SPREAD
 - HOST STRUCTURE TYPE= 3,000 PSI CONCRETE (AS VERIFIED BY OTHERS).



DESIGN SCHEDULE NOTES:

- MAXIMUM CALCULATED FACE AREA SHALL BE EQUAL TO OR LESS THAN THE MAXIMUM ALLOWABLE FACE AREA FOR EACH CONFIGURATION.
- REFERENCE ANCHOR SCHEDULE FOR ANCHOR TYPES LISTED HEREIN.
- DESIGN VALUES IN PARENTHESIS REPRESENT CAPACITIES WHEN TIE-DOWN STRAPS ARE USED. SEE DETAIL 5 ON SHEET 9 FOR STRAP DETAILS.

PROCEDURE:	RESULT:
1 DETERMINE THE MEAN UNIT HEIGHT FOR THE GIVEN CONFIGURATION	SEE SHEET 2, CALCULATION DIRECTIVE STEP #1 FOR METHOD OF CALCULATING THE MEAN UNIT HEIGHT. FOR CLARIFICATION, THIS CONFIGURATION HAS BEEN WORKED OUT IN THE EXAMPLE SCENARIO. (MEAN UNIT HEIGHT = 24 in)
2 DETERMINE THE MAXIMUM FACE AREA FOR THE GIVEN CONFIGURATION	SEE SHEET 2, CALCULATION DIRECTIVE STEP #2 FOR METHOD OF CALCULATING THE MAXIMUM TOTAL UNIT FACE AREA. FOR CLARIFICATION, THIS CONFIGURATION HAS BEEN WORKED OUT IN THE EXAMPLE SCENARIO. (MAXIMUM UNIT FACE AREA = 2304 in²)
3 LOCATE DESIGN SCHEDULE THAT APPLIES TO THE GIVEN CONFIGURATION	SEE SHEET 3 FOR THE 20" STAND DEPTH WITH A MAXIMUM FACE AREA OF 2304 in ² .
4 DETERMINE THE MAXIMUM ALLOWABLE LATERAL & UPLIFT WIND LOADS	FOR A 2304 in ² MAX TOTAL UNIT FACE AREA ON A 18" STAND HEIGHT WITH (5) SUPPORTING FRAMES, THE ALLOWABLE WIND LOADS ARE AS FOLLOWS: <ul style="list-style-type: none"> ALLOWABLE LATERAL WIND LOAD: 69.4 PSF ALLOWABLE UPLIFT WIND LOAD: 57.4 PSF (FROM TABLE ABOVE)
5 INSTALL STAND PER PERMISSIBLE ANCHOR TYPES AND VERIFY HOST STRUCTURE TYPE	UTILIZE ANCHOR TYPES FROM DESIGN SCHEDULE ASSOCIATED WITH THE ALLOWABLE WIND VALUES DETERMINED IN STEP 4. FOR THE TABLE LISTING, ANCHOR TYPES 2 & 3 MAY BE APPLIED . FOR THIS EXAMPLE UTILIZE ANCHOR TYPE 2 FOR CONCRETE HOST STRUCTURE TYPE. INSTALL STANDS PER ANCHOR SCHEDULE AND DETAILS AS ILLUSTRATED ON SHEET 16.

CONCLUSION:

6 MAXIMUM ALLOWABLE LATERAL DESIGN PRESSURE=	= 69.4 PSF
MAXIMUM ALLOWABLE UPLIFT DESIGN PRESSURE=	= 57.4 PSF (FROM TABLE ABOVE)
7 COMPARE TO SITE SPECIFIC DESIGN CONDITIONS	COMPARE VALUES FROM STEP #6 TO THE SEPARATE SITE SPECIFIC REQUIRED DESIGN WIND PRESSURE PROVIDED BY A LICENSED ENGINEER OR REGISTERED ARCHITECT; NOT INCLUDED IN THIS CERTIFICATION. SITE-SPECIFIC PRESSURE REQUIREMENTS SHALL BE LESS THAN OR EQUAL TO THE LATERAL AND UPLIFT DESIGN PRESSURE ALLOWABLE CAPACITY VALUES LISTED.

TABLE LEGEND:
 - DENOTES EXAMPLE VALUE FOR USE WITH COVER PAGE DIRECTIVE

FRANK L. BENNARDI, P.E.
 PE# 0046549
 LICENSED PROFESSIONAL ENGINEER
 10/18/2017
 No PE0046549

ENGINEERING EXPRESS

CORPORATE OFFICE: SUITE 106
 DEERFIELD BEACH, FL 33442
 P: (954) 354-0660 F: (954) 354-0443
 E: HELLO@ENGINEERINGEXPRESS.COM
 ENGINEERINGEXPRESS.COM
 CERT OF AUTH #9885

PRECISION ALUMINUM PRODUCTS, INC.

1339 SW 1ST WAY
 DEERFIELD BEACH, FL 33441
 PH: (954)-480-6919

ALUMINUM A/C STANDS HVHZ & NON-HVHZ APPLICATIONS
 FLORIDA BUILDING CODE SIXTH EDITION (2017)
 PRODUCT APPROVAL FL# 16921.1

REMARKS	DATE
INIT ISSUE	07-08-09
REV 2010 FBC	05-11-12
REV FBC 5TH (2014)	06-15-15
REV FBC 6TH (2017)	08-02-17

THIS DOCUMENT IS THE PROPERTY OF ENGINEERING EXPRESS, AND SHALL NOT BE REPRODUCED IN WHOLE OR PART WITHOUT WRITTEN CONSENT OF ENGINEERING EXPRESS. ALTERATIONS, ADDITIONS, OR OTHER WARNINGS TO THIS DOCUMENT ARE NOT PERMITTED AND INVALIDATE OUR CERTIFICATION.

15-2480

SCALE:

3

16

10/18/2017 - 9:25am zachr V:\Projects\15-2480 Aluminum AC Stand - FSA - Update FL16921 for 2014 Florida Bldg Code-Project\WP2017 FBC Update\WP15-2480h-Dwg-FL16921.1.dwg

"STD" STAND DESIGN SCHEDULE CONTINUED

36" STAND DEPTH: MAX FACE AREA (2760in² - 11520in²), FRAME QUANTITY (5-8 FRAMES)

STAND CLEAR HEIGHT	MAX MEAN UNIT HEIGHT	MAX FACE AREA	UNIT TO FRAME RATIO																LOAD TRANSFER INFORMATION FOR USE WITH HOST STRUCTURE VERIFICATION ONLY				
			MAX FACE AREA : 8 FRAMES				MAX FACE AREA : 7 FRAMES				MAX FACE AREA : 6 FRAMES				MAX FACE AREA : 5 FRAMES				MAX. BASE MOMENT (M)	MAX. BASE SHEAR (V)	MAX. BASE UPLIFT (T)	MAX. BASE GRAVITY (C)	
			ANCHOR TYPE: 1 OR 4		ANCHORS TYPE: 2 OR 3		ANCHOR TYPE: 1 OR 4		ANCHORS TYPE: 2 OR 3		ANCHOR TYPE: 1 OR 4		ANCHORS TYPE: 2 OR 3		ANCHOR TYPE: 1 OR 4		ANCHORS TYPE: 2 OR 3						
MAX ALLOWABLE LATERAL LOAD	MAX ALLOWABLE UPLIFT	MAX ALLOWABLE LATERAL LOAD	MAX ALLOWABLE UPLIFT	MAX ALLOWABLE LATERAL LOAD	MAX ALLOWABLE UPLIFT	MAX ALLOWABLE LATERAL LOAD	MAX ALLOWABLE UPLIFT	MAX ALLOWABLE LATERAL LOAD	MAX ALLOWABLE UPLIFT	MAX ALLOWABLE LATERAL LOAD	MAX ALLOWABLE UPLIFT	MAX ALLOWABLE LATERAL LOAD	MAX ALLOWABLE UPLIFT	MAX ALLOWABLE LATERAL LOAD	MAX ALLOWABLE UPLIFT	MAX ALLOWABLE LATERAL LOAD	MAX ALLOWABLE UPLIFT						
18"	24"	2760 in ²	103.6 PSF	81.8 PSF	103.6 PSF	81.8 PSF	90.6 PSF	71.5 PSF	90.6 PSF	71.5 PSF	77.7 PSF	61.3 PSF	77.7 PSF	61.3 PSF	64.7 PSF	51.1 PSF	64.7 PSF	51.1 PSF	136.10 LB-FT	124.1 LB	311.5 LB	303.7 LB	
24"			81.6 PSF	64.4 PSF	81.6 PSF	64.4 PSF	71.4 PSF	56.3 PSF	71.4 PSF	56.3 PSF	61.2 PSF	48.3 PSF	61.2 PSF	48.3 PSF	51.0 PSF	40.2 PSF	51.0 PSF	40.2 PSF	136.10 LB-FT	97.7 LB	275.0 LB	300.5 LB	
30"			67.8 PSF	53.5 PSF	67.8 PSF	53.5 PSF	59.3 PSF	46.8 PSF	59.3 PSF	46.8 PSF	50.8 PSF	40.1 PSF	50.8 PSF	40.1 PSF	42.3 PSF	33.4 PSF	42.3 PSF	33.4 PSF	136.10 LB-FT	81.2 LB	253.2 LB	299.6 LB	
36"			58.2 PSF	45.9 PSF	58.2 PSF	45.9 PSF	50.9 PSF	40.2 PSF	50.9 PSF	40.2 PSF	43.6 PSF	34.4 PSF	43.6 PSF	34.4 PSF	36.4 PSF	28.7 PSF	36.4 PSF	28.7 PSF	136.10 LB-FT	69.7 LB	238.7 LB	295.6 LB	
18"	30"	4650 in ²	61.5 PSF	48.5 PSF	61.5 PSF	48.5 PSF	53.8 PSF	42.4 PSF	53.8 PSF	42.4 PSF	46.1 PSF	36.4 PSF	46.1 PSF	36.4 PSF	38.4 PSF	30.3 PSF	38.4 PSF	30.3 PSF	136.10 LB-FT	124.1 LB	332.1 LB	324.4 LB	
24"			48.4 PSF	38.2 PSF	48.4 PSF	38.2 PSF	42.3 PSF	33.4 PSF	42.3 PSF	33.4 PSF	36.3 PSF	28.6 PSF	36.3 PSF	28.6 PSF	30.2 PSF	23.9 PSF	30.2 PSF	23.9 PSF	136.10 LB-FT	97.7 LB	291.3 LB	316.8 LB	
30"			40.2 PSF	31.7 PSF	40.2 PSF	31.7 PSF	35.2 PSF	27.8 PSF	35.2 PSF	27.8 PSF	30.1 PSF	23.8 PSF	30.1 PSF	23.8 PSF	25.1 PSF	19.8 PSF	25.1 PSF	19.8 PSF	136.10 LB-FT	81.2 LB	266.7 LB	313.1 LB	
36"			34.5 PSF	27.2 PSF	34.5 PSF	27.2 PSF	30.2 PSF	23.8 PSF	30.2 PSF	23.8 PSF	25.9 PSF	20.4 PSF	25.9 PSF	20.4 PSF	21.6 PSF	17.0 PSF	21.6 PSF	17.0 PSF	136.10 LB-FT	69.7 LB	250.3 LB	311.2 LB	
18"	36"	6300 in ²	45.3 PSF	35.8 PSF	45.3 PSF	35.8 PSF	39.7 PSF	31.3 PSF	39.7 PSF	31.3 PSF	34.0 PSF	26.8 PSF	34.0 PSF	26.8 PSF	30.2 PSF	23.9 PSF	30.2 PSF	23.9 PSF	136.10 LB-FT	124.1 LB	352.8 LB	345.1 LB	
24"			35.7 PSF	28.2 PSF	35.7 PSF	28.2 PSF	31.2 PSF	24.7 PSF	31.2 PSF	24.7 PSF	26.8 PSF	21.1 PSF	26.8 PSF	21.1 PSF	22.3 PSF	17.6 PSF	22.3 PSF	17.6 PSF	136.10 LB-FT	97.7 LB	307.6 LB	333.1 LB	
30"			29.7 PSF	23.4 PSF	29.7 PSF	23.4 PSF	26.0 PSF	20.5 PSF	26.0 PSF	20.5 PSF	22.2 PSF	17.5 PSF	22.2 PSF	17.5 PSF	22.2 PSF	17.5 PSF	22.2 PSF	17.5 PSF	136.10 LB-FT	81.2 LB	280.3 LB	304.2 LB	
36"			25.5 PSF	20.1 PSF	25.5 PSF	20.1 PSF	22.3 PSF	17.6 PSF	22.3 PSF	17.6 PSF	22.3 PSF	17.6 PSF	22.3 PSF	17.6 PSF	22.3 PSF	17.6 PSF	22.3 PSF	17.6 PSF	22.3 PSF	136.10 LB-FT	69.7 LB	261.9 LB	284.3 LB
18"	42"	8400 in ²	34.0 PSF	26.8 PSF	34.0 PSF	26.8 PSF	29.7 PSF	23.5 PSF	29.7 PSF	23.5 PSF	25.5 PSF	20.1 PSF	25.5 PSF	20.1 PSF	21.2 PSF	16.7 PSF	21.2 PSF	16.7 PSF	136.10 LB-FT	124.1 LB	373.5 LB	365.8 LB	
24"			26.8 PSF	21.1 PSF	26.8 PSF	21.1 PSF	23.4 PSF	18.5 PSF	23.4 PSF	18.5 PSF	20.1 PSF	15.8 PSF	20.1 PSF	15.8 PSF	20.1 PSF	15.8 PSF	20.1 PSF	15.8 PSF	136.10 LB-FT	97.7 LB	323.9 LB	326.9 LB	
30"			22.2 PSF	17.5 PSF	22.2 PSF	17.5 PSF	22.3 PSF	17.6 PSF	22.3 PSF	17.6 PSF	22.3 PSF	17.6 PSF	22.3 PSF	17.6 PSF	22.3 PSF	17.6 PSF	22.3 PSF	17.6 PSF	22.3 PSF	136.10 LB-FT	81.2 LB	293.8 LB	289.6 LB
36"			24.8 PSF	19.5 PSF	24.8 PSF	19.5 PSF	21.7 PSF	17.1 PSF	21.7 PSF	17.1 PSF	21.7 PSF	17.1 PSF	21.7 PSF	17.1 PSF	21.7 PSF	17.1 PSF	21.7 PSF	17.1 PSF	21.7 PSF	136.10 LB-FT	124.1 LB	394.2 LB	347.9 LB

24" STAND DEPTH: MAX FACE AREA (2208in² - 9216in²), FRAME QUANTITY (4-7 FRAMES)

STAND CLEAR HEIGHT	MAX MEAN UNIT HEIGHT	MAX FACE AREA	UNIT TO FRAME RATIO												LOAD TRANSFER INFORMATION FOR USE WITH HOST STRUCTURE VERIFICATION ONLY								
			MAX FACE AREA : 7 FRAMES				MAX FACE AREA : 6 FRAMES				MAX FACE AREA : 5 FRAMES				MAX FACE AREA : 4 FRAMES				MAX. BASE MOMENT (M)	MAX. BASE SHEAR (V)	MAX. BASE UPLIFT (T)	MAX. BASE GRAVITY (C)	
			ANCHOR TYPE: 1 OR 4		ANCHORS TYPE: 2 OR 3		ANCHOR TYPE: 1 OR 4		ANCHORS TYPE: 2 OR 3		ANCHOR TYPE: 1 OR 4		ANCHORS TYPE: 2 OR 3		ANCHOR TYPE: 1 OR 4		ANCHORS TYPE: 2 OR 3						
MAX ALLOWABLE LATERAL LOAD	MAX ALLOWABLE UPLIFT	MAX ALLOWABLE LATERAL LOAD	MAX ALLOWABLE UPLIFT	MAX ALLOWABLE LATERAL LOAD	MAX ALLOWABLE UPLIFT	MAX ALLOWABLE LATERAL LOAD	MAX ALLOWABLE UPLIFT	MAX ALLOWABLE LATERAL LOAD	MAX ALLOWABLE UPLIFT	MAX ALLOWABLE LATERAL LOAD	MAX ALLOWABLE UPLIFT	MAX ALLOWABLE LATERAL LOAD	MAX ALLOWABLE UPLIFT	MAX ALLOWABLE LATERAL LOAD	MAX ALLOWABLE UPLIFT	MAX ALLOWABLE LATERAL LOAD	MAX ALLOWABLE UPLIFT						
18"	24"	2208 in ²	121.4 PSF	95.8 PSF	121.4 PSF	95.8 PSF	104.1 PSF	82.1 PSF	104.1 PSF	82.1 PSF	86.7 PSF	68.4 PSF	86.7 PSF	68.4 PSF	69.4 PSF	54.7 PSF	69.4 PSF	54.7 PSF	136.10 LB-FT	133.0 LB	458.0 LB	437.8 LB	
24"			95.5 PSF	75.4 PSF	95.5 PSF	75.4 PSF	81.9 PSF	64.6 PSF	81.9 PSF	64.6 PSF	68.2 PSF	53.8 PSF	68.2 PSF	53.8 PSF	54.6 PSF	43.1 PSF	54.6 PSF	43.1 PSF	136.10 LB-FT	104.6 LB	409.9 LB	425.5 LB	
30"			79.1 PSF	62.5 PSF	79.1 PSF	62.5 PSF	67.8 PSF	53.5 PSF	67.8 PSF	53.5 PSF	56.5 PSF	44.6 PSF	56.5 PSF	44.6 PSF	45.2 PSF	35.7 PSF	45.2 PSF	35.7 PSF	136.10 LB-FT	86.7 LB	380.8 LB	419.1 LB	
36"			67.7 PSF	53.5 PSF	67.7 PSF	53.5 PSF	58.0 PSF	45.8 PSF	58.0 PSF	45.8 PSF	48.4 PSF	38.2 PSF	48.4 PSF	38.2 PSF	38.7 PSF	30.5 PSF	38.7 PSF	30.5 PSF	136.10 LB-FT	74.2 LB	361.2 LB	415.3 LB	
18"	30"	3720 in ²	72.0 PSF	56.9 PSF	72.0 PSF	56.9 PSF	61.7 PSF	48.7 PSF	61.7 PSF	48.7 PSF	51.4 PSF	40.6 PSF	51.4 PSF	40.6 PSF	41.1 PSF	32.5 PSF	41.1 PSF	32.5 PSF	136.10 LB-FT	133.0 LB	491.2 LB	471.1 LB	
24"			56.7 PSF	44.7 PSF	56.7 PSF	44.7 PSF	48.6 PSF	38.3 PSF	48.6 PSF	38.3 PSF	40.5 PSF	31.9 PSF	40.5 PSF	31.9 PSF	32.4 PSF	25.5 PSF	32.4 PSF	25.5 PSF	136.10 LB-FT	104.6 LB	436.1 LB	451.7 LB	
30"			46.9 PSF	37.1 PSF	46.9 PSF	37.1 PSF	40.2 PSF	31.8 PSF	40.2 PSF	31.8 PSF	33.5 PSF	26.5 PSF	33.5 PSF	26.5 PSF	26.8 PSF	21.2 PSF	26.8 PSF	21.2 PSF	136.10 LB-FT	86.7 LB	402.4 LB	440.7 LB	
36"			40.2 PSF	31.7 PSF	40.2 PSF	31.7 PSF	34.4 PSF	27.2 PSF	34.4 PSF	27.2 PSF	28.7 PSF	22.6 PSF	28.7 PSF	22.6 PSF	22.9 PSF	18.1 PSF	22.9 PSF	18.1 PSF	136.10 LB-FT	74.2 LB	379.7 LB	433.8 LB	
18"	36"	5040 in ²	53.2 PSF	42.0 PSF	53.2 PSF	42.0 PSF	45.6 PSF	36.0 PSF	45.6 PSF	36.0 PSF	38.0 PSF	30.0 PSF	38.0 PSF	30.0 PSF	30.4 PSF	24.0 PSF	30.4 PSF	24.0 PSF	136.10 LB-FT	133.0 LB	524.5 LB	504.3 LB	
24"			41.8 PSF	33.0 PSF	41.8 PSF	33.0 PSF	35.8 PSF	28.3 PSF	35.8 PSF	28.3 PSF	29.9 PSF	23.6 PSF	29.9 PSF	23.6 PSF	23.9 PSF	18.8 PSF	23.9 PSF	18.8 PSF	136.10 LB-FT	104.6 LB	462.2 LB	477.9 LB	
30"			34.6 PSF	27.3 PSF	34.6 PSF	27.3 PSF	29.7 PSF	23.4 PSF	29.7 PSF	23.4 PSF	24.7 PSF	19.5 PSF	24.7 PSF	19.5 PSF	22.8 PSF	18.0 PSF	22.8 PSF	18.0 PSF	136.10 LB-FT	86.7 LB	424.1 LB	435.4 LB	
36"			29.6 PSF	23.4 PSF	29.6 PSF	23.4 PSF	25.4 PSF	20.0 PSF	25.4 PSF	20.0 PSF	21.2 PSF	16.7 PSF	21.2 PSF	16.7 PSF	21.2 PSF	16.7 PSF	21.2 PSF	16.7 PSF	21.2 PSF	136.10 LB-FT	74.2 LB	398.3 LB	425.4 LB
18"	42"	6720 in ²	39.9 PSF	31.5 PSF	39.9 PSF	31.5 PSF	34.2 PSF	27.0 PSF	34.2 PSF	27.0 PSF	28.5 PSF	22.5 PSF	28.5 PSF	22.5 PSF	22.8 PSF	18.0 PSF	22.8 PSF	18.0 PSF	136.10 LB-FT	133.0 LB	557.8 LB	537.6 LB	
24"			31.4 PSF	24.7 PSF	31.4 PSF	24.7 PSF	26.9 PSF	21.2 PSF	26.9 PSF	21.2 PSF	22.4 PSF	17.7 PSF	22.4 PSF	17.7 PSF	22.4 PSF	17.7 PSF	22.4 PSF	17.7 PSF	136.10 LB-FT	104.6 LB	488.4 LB	477.0 LB	
30"			26.0 PSF	20.5 PSF	26.0 PSF	20.5 PSF	22.2 PSF	17.6 PSF	22.2 PSF	17.6 PSF	22.2 PSF	17.6 PSF	22.2 PSF	17.6 PSF	22.2 PSF	17.6 PSF	22.2 PSF	17.6 PSF	22.2 PSF	136.10 LB-FT	86.7 LB	445.8 LB	439.1 LB
36"			22.2 PSF	17.5 PSF	22.2 PSF	17.5 PSF	22.2 PSF	17.5 PSF	22.2 PSF	17.5 PSF	22.2 PSF	17.5 PSF	22.2 PSF	17.5 PSF	22.2 PSF	17.5 PSF	22.2 PSF	17.5 PSF	22.2 PSF	136.10 LB-FT	74.2 LB	416.8 LB	413.1 LB
18"	48"	9216 in ²	29.1 PSF	22.9 PSF	29.1 PSF	22.9 PSF	24.9 PSF	19.6 PSF	24.9 PSF	19.6 PSF	20.7 PSF	16.4 PSF	20.7 PSF	16.4 PSF	20.7 PSF	16.4 PSF	20.7 PSF	16.4 PSF	136.10 LB-FT	133.0 LB	591.0 LB	543.8 LB	
24"			22.8 PSF	18.0 PSF	22.8 PSF	18.0 PSF	22.8 PSF	18.0 PSF	22.8 PSF	18.0 PSF	22.8 PSF	18.0 PSF	22.8 PSF	18.0 PSF	22.8 PSF	18.0 PSF	22.8 PSF	18.0 PSF	22.8 PSF	136.10 LB-FT	104.6 LB	514.6 LB	472.4 LB
30"			22.8 PSF	18.0 PSF	22.8 PSF	18.0 PSF	22.8 PSF	18.0 PSF	22.8 PSF	18.0 PSF	22.8 PSF	18.0 PSF	22.8 PSF	18.0 PSF	22.8 PSF	18.0 PSF	22.8 PSF	18.0 PSF	22.8 PSF	136.10 LB-FT	104.6 LB	514.6 LB	472.4 LB
36"			22.8 PSF	18.0 PSF	22.8 PSF	18.0 PSF	22.8 PSF	18.0 PSF	22.8 PSF	18.0 PSF	22.8 PSF	18.0 PSF	22.8 PSF	18.0 PSF	22.8 PSF	18.0 PSF	22.8 PSF	18.0 PSF	22.8 PSF	136.10 LB-FT	104.6 LB	514.6 LB	472.4 LB

36" STAND DEPTH: MAX FACE AREA (2208in² - 9216in²), FRAME QUANTITY (4-7 FRAMES)

STAND CLEAR HEIGHT	MAX MEAN UNIT HEIGHT	MAX FACE AREA	UNIT TO FRAME RATIO												LOAD TRANSFER INFORMATION FOR USE WITH HOST STRUCTURE VERIFICATION ONLY							
			MAX FACE AREA : 7 FRAMES				MAX FACE AREA : 6 FRAMES				MAX FACE AREA : 5 FRAMES				MAX FACE AREA : 4 FRAMES				MAX. BASE MOMENT (M)	MAX. BASE SHEAR (V)	MAX. BASE UPLIFT (T)	MAX. BASE GRAVITY (C)
			ANCHOR TYPE: 1 OR 4		ANCHORS TYPE: 2 OR 3		ANCHOR TYPE: 1 OR 4		ANCHORS TYPE: 2 OR 3		ANCHOR TYPE: 1 OR 4		ANCHORS TYPE: 2 OR 3		ANCHOR TYPE: 1 OR 4		ANCHORS TYPE: 2 OR 3					
MAX ALLOWABLE LATERAL LOAD	MAX ALLOWABLE UPLIFT	MAX ALLOWABLE LATERAL LOAD	MAX ALLOWABLE UPLIFT	MAX ALLOWABLE LATERAL LOAD	MAX ALLOWABLE UPLIFT	MAX ALLOWABLE LATERAL LOAD	MAX ALLOWABLE UPLIFT	MAX ALLOWABLE LATERAL LOAD	MAX ALLOWABLE UPLIFT	MAX ALLOWABLE LATERAL LOAD	MAX ALLOWABLE UPLIFT	MAX ALLOWABLE LATERAL LOAD	MAX ALLOWABLE UPLIFT	MAX ALLOWABLE LATERAL LOAD	MAX ALLOWABLE UPLIFT	MAX ALLOWABLE LATERAL LOAD	MAX ALLOWABLE UPLIFT					
18"	24"	2208 in ²	113.3 PSF	89.4 PSF	113.3 PSF	89.4 PSF	97.1 PSF	76.6 PSF	97.1 PSF	76.6 PSF	80.9 PSF	63.9 PSF	80.9 PSF	63.9 PSF	64.7 PSF	51.1 PSF	64.7 PSF	51.1 PSF	136.10 LB-FT	124.1 LB	312.7 LB	303.7 LB
24"			89.2 PSF	70.4 PSF	89.2 PSF	70.4 PSF	76.5 PSF	60.4 PSF	76.5 PSF	60.4 PSF	63.7 PSF	50.3 PSF	63.7 PSF	50.3 PSF	51.0 PSF	40.2 PSF	51.0 PSF	40.2 PSF	136.10 LB-FT	97.7 LB	276.2 LB	300.5 LB
30"			74.1 PSF	58.5 PSF	74.1 PSF	58.5 PSF	63.5 PSF	50.2 PSF	63.5 PSF	50.2 PSF	52.9 PSF	41.8 PSF	52.9 PSF	41.8 PSF	42.3 PSF	33.4 PSF	42.3 PSF	33.4 PSF	136.10 LB-FT	81.2 LB	254.4 LB	299.6 LB
36"			63.7 PSF	50.2 PSF	63.7 PSF	50.2 PSF	54.6 PSF	43.1 PSF	54.6 PSF	43.1 PSF	45.9 PSF	35.9 PSF	45.9 PSF	35.9 PSF	36.4 PSF	28.7 PSF	36.4 PSF	28.7 PSF	136.10 LB-FT	69.7 LB	239.9 LB	299.6 LB
18"	30"	3720 in ²	67.2 PSF	53.1 PSF	67.2 PSF	53.1 PSF	57.6 PSF	45.5 PSF	57.6 PSF	45.5 PSF	48.0 PSF	37.9 PSF	48.0 PSF	3								

"STD" STAND DESIGN SCHEDULE CONTINUED

24" STAND DEPTH: MAX FACE AREA (1656in² - 6912in²), FRAME QUANTITY (3-6 FRAMES)

Table with columns for Stand Clear Height, Max Mean Unit Height, Max Face Area, Unit to Frame Ratio (6, 5, 4, 3 frames), Max Allowable Lateral Load, Max Allowable Uplift, Max. Base Moment (M), Max. Base Shear (V), Max. Base Uplift (T), and Max. Base Gravity (G).

LOAD TRANSFER INFORMATION FOR USE WITH HOST STRUCTURE VERIFICATION ONLY

36" STAND DEPTH: MAX FACE AREA (1656in² - 6912in²), FRAME QUANTITY (3-6 FRAMES)

Table with columns for Stand Clear Height, Max Mean Unit Height, Max Face Area, Unit to Frame Ratio (6, 5, 4, 3 frames), Max Allowable Lateral Load, Max Allowable Uplift, Max. Base Moment (M), Max. Base Shear (V), Max. Base Uplift (T), and Max. Base Gravity (G).

LOAD TRANSFER INFORMATION FOR USE WITH HOST STRUCTURE VERIFICATION ONLY

24" STAND DEPTH: MAX FACE AREA (1104in² - 4608in²), FRAME QUANTITY (2-5 FRAMES)

Table with columns for Stand Clear Height, Max Mean Unit Height, Max Face Area, Unit to Frame Ratio (5, 4, 3, 2 frames), Max Allowable Lateral Load, Max Allowable Uplift, Max. Base Moment (M), Max. Base Shear (V), Max. Base Uplift (T), and Max. Base Gravity (G).

LOAD TRANSFER INFORMATION FOR USE WITH HOST STRUCTURE VERIFICATION ONLY

FRANK L. BENNARDI, P.E. License No. 0046549

Engineering Express logo and address: 160 SW 12th Ave, Suite 106, Deerfield Beach, FL 33442. Includes phone and email contact info.

Precision Aluminum Products, Inc. logo and address: 1339 SW 1st Way, Deerfield Beach, FL 33441. Includes phone and product approval info.

Revision table with columns for Date, DRWN, CHKD, DATE, and Remarks. Includes a scale of 1/5 and a product approval stamp.

Vertical text on the left margin: 10/18/2017 - 9:25am zachr V:\Projects\15-2480 Aluminum AC Stand - FSA - Update FL16921 for 2014 Florida Bldg Code-Project\WP2017 FBC Update\WP15-2480h-Dwg-FL16921.dwg

"STD" STAND DESIGN SCHEDULE CONTINUED

36" STAND DEPTH: MAX FACE AREA (1104in² - 4608in²), FRAME QUANTITY (2-5 FRAMES)

STAND CLEAR HEIGHT	MAX MEAN UNIT HEIGHT	MAX FACE AREA	UNIT TO FRAME RATIO																LOAD TRANSFER INFORMATION FOR USE WITH HOST STRUCTURE VERIFICATION ONLY			
			MAX FACE AREA : 5 FRAMES				MAX FACE AREA : 4 FRAMES				MAX FACE AREA : 3 FRAMES				MAX FACE AREA : 2 FRAMES				MAX. BASE MOMENT (M)	MAX. BASE SHEAR (V)	MAX. BASE UPLIFT (T)	MAX. BASE GRAVITY (C)
			ANCHOR TYPE: 1 OR 4		ANCHORS TYPE: 2 OR 3		ANCHOR TYPE: 1 OR 4		ANCHORS TYPE: 2 OR 3		ANCHOR TYPE: 1 OR 4		ANCHORS TYPE: 2 OR 3		ANCHOR TYPE: 1 OR 4		ANCHORS TYPE: 2 OR 3					
MAX ALLOWABLE LATERAL LOAD	MAX ALLOWABLE UPLIFT	MAX ALLOWABLE LATERAL LOAD	MAX ALLOWABLE UPLIFT	MAX ALLOWABLE LATERAL LOAD	MAX ALLOWABLE UPLIFT	MAX ALLOWABLE LATERAL LOAD	MAX ALLOWABLE UPLIFT	MAX ALLOWABLE LATERAL LOAD	MAX ALLOWABLE UPLIFT	MAX ALLOWABLE LATERAL LOAD	MAX ALLOWABLE UPLIFT	MAX ALLOWABLE LATERAL LOAD	MAX ALLOWABLE UPLIFT	MAX ALLOWABLE LATERAL LOAD	MAX ALLOWABLE UPLIFT	MAX ALLOWABLE LATERAL LOAD	MAX ALLOWABLE UPLIFT					
18"	24"	1104 in ²	161.9 PSF	127.8 PSF	161.9 PSF	127.8 PSF	129.5 PSF	102.2 PSF	129.5 PSF	102.2 PSF	97.1 PSF	76.6 PSF	97.1 PSF	76.6 PSF	64.7 PSF	51.1 PSF	64.7 PSF	51.1 PSF	136.10 LB-FT	124.1 LB	316.5 LB	303.7 LB
24"			127.5 PSF	100.7 PSF	127.5 PSF	100.7 PSF	102.0 PSF	80.5 PSF	102.0 PSF	80.5 PSF	76.5 PSF	60.4 PSF	76.5 PSF	60.4 PSF	51.0 PSF	40.2 PSF	51.0 PSF	40.2 PSF	136.10 LB-FT	97.7 LB	280.0 LB	300.5 LB
30"			105.9 PSF	83.6 PSF	105.9 PSF	83.6 PSF	84.7 PSF	66.9 PSF	84.7 PSF	66.9 PSF	63.5 PSF	50.2 PSF	63.5 PSF	50.2 PSF	42.3 PSF	33.4 PSF	42.3 PSF	33.4 PSF	136.10 LB-FT	81.2 LB	258.2 LB	295.6 LB
36"			91.0 PSF	71.8 PSF	91.0 PSF	71.8 PSF	72.8 PSF	57.4 PSF	72.8 PSF	57.4 PSF	54.6 PSF	43.1 PSF	54.6 PSF	43.1 PSF	36.4 PSF	28.7 PSF	36.4 PSF	28.7 PSF	136.10 LB-FT	69.7 LB	243.7 LB	295.6 LB
18"	30"	1860 in ²	96.0 PSF	75.8 PSF	96.0 PSF	75.8 PSF	76.8 PSF	60.6 PSF	76.8 PSF	60.6 PSF	57.6 PSF	45.5 PSF	57.6 PSF	45.5 PSF	38.4 PSF	30.3 PSF	38.4 PSF	30.3 PSF	136.10 LB-FT	124.1 LB	337.2 LB	324.4 LB
24"			75.7 PSF	59.7 PSF	75.7 PSF	59.7 PSF	60.5 PSF	47.8 PSF	60.5 PSF	47.8 PSF	45.4 PSF	35.8 PSF	45.4 PSF	35.8 PSF	30.2 PSF	23.9 PSF	30.2 PSF	23.9 PSF	136.10 LB-FT	97.7 LB	296.3 LB	316.8 LB
30"			62.9 PSF	49.6 PSF	62.9 PSF	49.6 PSF	50.3 PSF	39.7 PSF	50.3 PSF	39.7 PSF	37.7 PSF	29.7 PSF	37.7 PSF	29.7 PSF	25.1 PSF	19.8 PSF	25.1 PSF	19.8 PSF	136.10 LB-FT	81.2 LB	271.8 LB	313.1 LB
36"			54.0 PSF	42.6 PSF	54.0 PSF	42.6 PSF	43.2 PSF	34.1 PSF	43.2 PSF	34.1 PSF	32.4 PSF	25.5 PSF	32.4 PSF	25.5 PSF	21.6 PSF	17.0 PSF	21.6 PSF	17.0 PSF	136.10 LB-FT	69.7 LB	255.4 LB	311.2 LB
18"	36"	2520 in ²	70.9 PSF	55.9 PSF	70.9 PSF	55.9 PSF	56.7 PSF	44.7 PSF	56.7 PSF	44.7 PSF	42.5 PSF	33.5 PSF	42.5 PSF	33.5 PSF	28.3 PSF	22.3 PSF	28.3 PSF	22.3 PSF	136.10 LB-FT	124.1 LB	357.9 LB	345.1 LB
24"			55.8 PSF	44.1 PSF	55.8 PSF	44.1 PSF	44.7 PSF	35.2 PSF	44.7 PSF	35.2 PSF	33.5 PSF	26.4 PSF	33.5 PSF	26.4 PSF	22.3 PSF	17.6 PSF	22.3 PSF	17.6 PSF	136.10 LB-FT	97.7 LB	312.6 LB	333.1 LB
30"			46.4 PSF	36.6 PSF	46.4 PSF	36.6 PSF	37.1 PSF	29.3 PSF	37.1 PSF	29.3 PSF	27.8 PSF	21.9 PSF	27.8 PSF	21.9 PSF	18.3 PSF	14.3 PSF	18.3 PSF	14.3 PSF	136.10 LB-FT	81.2 LB	285.3 LB	281.7 LB
36"			39.8 PSF	31.4 PSF	39.8 PSF	31.4 PSF	31.8 PSF	25.1 PSF	31.8 PSF	25.1 PSF	23.9 PSF	18.8 PSF	23.9 PSF	18.8 PSF	16.7 PSF	12.7 PSF	16.7 PSF	12.7 PSF	136.10 LB-FT	69.7 LB	267.0 LB	277.9 LB
18"	42"	3360 in ²	53.1 PSF	41.9 PSF	53.1 PSF	41.9 PSF	42.5 PSF	33.5 PSF	42.5 PSF	33.5 PSF	31.9 PSF	25.1 PSF	31.9 PSF	25.1 PSF	21.2 PSF	16.7 PSF	21.2 PSF	16.7 PSF	136.10 LB-FT	124.1 LB	378.6 LB	365.8 LB
24"			41.9 PSF	33.0 PSF	41.9 PSF	33.0 PSF	33.5 PSF	26.4 PSF	33.5 PSF	26.4 PSF	25.1 PSF	19.8 PSF	25.1 PSF	19.8 PSF	16.4 PSF	12.4 PSF	16.4 PSF	12.4 PSF	136.10 LB-FT	97.7 LB	328.9 LB	304.4 LB
30"			34.8 PSF	27.4 PSF	34.8 PSF	27.4 PSF	27.8 PSF	21.9 PSF	27.8 PSF	21.9 PSF	20.8 PSF	16.4 PSF	20.8 PSF	16.4 PSF	14.3 PSF	10.3 PSF	14.3 PSF	10.3 PSF	136.10 LB-FT	81.2 LB	298.9 LB	295.2 LB
36"			29.9 PSF	23.6 PSF	29.9 PSF	23.6 PSF	23.9 PSF	18.8 PSF	23.9 PSF	18.8 PSF	18.3 PSF	14.3 PSF	18.3 PSF	14.3 PSF	12.4 PSF	9.4 PSF	12.4 PSF	9.4 PSF	136.10 LB-FT	69.7 LB	278.6 LB	267.0 LB
18"	48"	4608 in ²	38.7 PSF	30.6 PSF	38.7 PSF	30.6 PSF	31.0 PSF	24.4 PSF	31.0 PSF	24.4 PSF	23.2 PSF	18.3 PSF	23.2 PSF	18.3 PSF	16.7 PSF	12.7 PSF	16.7 PSF	12.7 PSF	136.10 LB-FT	124.1 LB	399.3 LB	341.5 LB
24"			30.5 PSF	24.1 PSF	30.5 PSF	24.1 PSF	24.4 PSF	19.3 PSF	24.4 PSF	19.3 PSF	18.3 PSF	14.3 PSF	18.3 PSF	14.3 PSF	14.3 PSF	10.3 PSF	14.3 PSF	10.3 PSF	136.10 LB-FT	97.7 LB	345.2 LB	298.2 LB
30"			25.3 PSF	20.0 PSF	25.3 PSF	20.0 PSF	20.3 PSF	16.0 PSF	20.3 PSF	16.0 PSF	16.0 PSF	12.4 PSF	16.0 PSF	12.4 PSF	12.4 PSF	9.4 PSF	12.4 PSF	9.4 PSF	136.10 LB-FT	81.2 LB	312.4 LB	286.3 LB
36"			21.8 PSF	17.2 PSF	21.8 PSF	17.2 PSF	17.2 PSF	13.2 PSF	17.2 PSF	13.2 PSF	13.2 PSF	10.3 PSF	13.2 PSF	10.3 PSF	10.3 PSF	7.3 PSF	10.3 PSF	7.3 PSF	136.10 LB-FT	69.7 LB	290.3 LB	265.1 LB

FRANK L. BENNARDO, P.E.
PE# 0046549

10/18/2017

PE0046549

STATE OF FLORIDA
ENGINEERING EXPRESS
CORPORATE OFFICE:
160 SW 12th AVE, SUITE 106
DEERFIELD BEACH, FL 33442
P: (954) 354-0660 F: (954) 354-0443
E: HELLO@ENGINEERINGEXPRESS.COM
ENGINEERINGEXPRESS.COM
CERT OF AUTH #9885

PRECISION ALUMINUM PRODUCTS, INC.
1399 SW 1ST WAY
DEERFIELD BEACH, FL 33441
PH: (954)-480-6919

ALUMINUM A/C STANDS HVHZ & NON-HVHZ APPLICATIONS
FLORIDA BUILDING CODE SIXTH EDITION (2017)
PRODUCT APPROVAL FL#16921.1

REMARKS	DRWN	CHKD	DATE
INIT ISSUE	TSB	FLB	07-08-09
REV 2010 FBC	CSL	TSB	05-11-12
REV FBC 5TH (2014)	CSL	CSL	06-15-15
REV FBC 6TH (2017)	LAO	FLB	09-02-17

THIS DOCUMENT IS THE PROPERTY OF ENGINEERING EXPRESS, AND SHALL NOT BE REPRODUCED IN WHOLE OR PART WITHOUT WRITTEN CONSENT FROM ENGINEERING EXPRESS. ANY REPRODUCTION WITHOUT WRITTEN CONSENT FROM ENGINEERING EXPRESS IS PROHIBITED AND INVALIDATES OUR CERTIFICATION.

15-2480

SCALE: _____ of 16

24" STAND DEPTH: MAX FACE AREA (552in² - 2304in²), FRAME QUANTITY (2-3 FRAMES)

STAND CLEAR HEIGHT	MAX MEAN UNIT HEIGHT	MAX FACE AREA	UNIT TO FRAME RATIO								LOAD TRANSFER INFORMATION FOR USE WITH HOST STRUCTURE VERIFICATION ONLY			
			MAX FACE AREA : 3 FRAMES				MAX FACE AREA : 2 FRAMES				MAX. BASE MOMENT (M)	MAX. BASE SHEAR (V)	MAX. BASE UPLIFT (T)	MAX. BASE GRAVITY (C)
			ANCHOR TYPE: 1 OR 4		ANCHOR TYPE: 2 OR 3		ANCHOR TYPE: 1 OR 4		ANCHOR TYPE: 2 OR 3					
MAX ALLOWABLE LATERAL LOAD	MAX ALLOWABLE UPLIFT	MAX ALLOWABLE LATERAL LOAD	MAX ALLOWABLE UPLIFT	MAX ALLOWABLE LATERAL LOAD	MAX ALLOWABLE UPLIFT	MAX ALLOWABLE LATERAL LOAD	MAX ALLOWABLE UPLIFT	MAX ALLOWABLE LATERAL LOAD	MAX ALLOWABLE UPLIFT					
18"	24"	552 in ²	200.0 PSF	157.8 PSF	200.0 PSF	157.8 PSF	138.8 PSF	109.5 PSF	138.8 PSF	109.5 PSF	136.10 LB-FT	133.0 LB	459.6 LB	370.3 LB
24"			163.8 PSF	129.3 PSF	163.8 PSF	129.3 PSF	109.2 PSF	86.2 PSF	109.2 PSF	86.2 PSF	136.10 LB-FT	104.6 LB	415.3 LB	358.0 LB
30"			135.7 PSF	107.1 PSF	135.7 PSF	107.1 PSF	90.4 PSF	71.4 PSF	90.4 PSF	71.4 PSF	136.10 LB-FT	86.7 LB	386.1 LB	351.6 LB
36"			116.1 PSF	91.7 PSF	116.1 PSF	91.7 PSF	77.4 PSF	61.1 PSF	77.4 PSF	61.1 PSF	136.10 LB-FT	74.2 LB	366.5 LB	347.8 LB
18"	30"	930 in ²	123.5 PSF	97.5 PSF	123.5 PSF	97.5 PSF	82.3 PSF	65.0 PSF	82.3 PSF	65.0 PSF	136.10 LB-FT	133.0 LB	496.6 LB	403.6 LB
24"			97.2 PSF	76.7 PSF	97.2 PSF	76.7 PSF	64.8 PSF	51.1 PSF	64.8 PSF	51.1 PSF	136.10 LB-FT	104.6 LB	441.4 LB	384.2 LB
30"			80.5 PSF	63.6 PSF	80.5 PSF	63.6 PSF	53.7 PSF	42.4 PSF	53.7 PSF	42.4 PSF	136.10 LB-FT	86.7 LB	407.8 LB	373.2 LB
36"			68.9 PSF	54.4 PSF	68.9 PSF	54.4 PSF	45.9 PSF	36.2 PSF	45.9 PSF	36.2 PSF	136.10 LB-FT	74.2 LB	385.1 LB	366.3 LB
18"	36"	1260 in ²	91.2 PSF	72.0 PSF	91.2 PSF	72.0 PSF	60.8 PSF	48.0 PSF	60.8 PSF	48.0 PSF	136.10 LB-FT	133.0 LB	529.9 LB	436.8 LB
24"			71.7 PSF	56.6 PSF	71.7 PSF	56.6 PSF	47.8 PSF	37.7 PSF	47.8 PSF	37.7 PSF	136.10 LB-FT	104.6 LB	467.6 LB	410.4 LB
30"			59.4 PSF	46.9 PSF	59.4 PSF	46.9 PSF	39.6 PSF	31.2 PSF	39.6 PSF	31.2 PSF	136.10 LB-FT	86.7 LB	429.5 LB	394.9 LB
36"			50.8 PSF	40.1 PSF	50.8 PSF	40.1 PSF	33.9 PSF	26.7 PSF	33.9 PSF	26.7 PSF	136.10 LB-FT	74.2 LB	403.6 LB	384.9 LB
18"	42"	1680 in ²	67.5 PSF	54.0 PSF	67.5 PSF	54.0 PSF	45.6 PSF	36.0 PSF	45.6 PSF	36.0 PSF	136.10 LB-FT	133.0 LB	563.1 LB	470.1 LB
24"			53.8 PSF	42.4 PSF	53.8 PSF	42.4 PSF	35.8 PSF	28.3 PSF	35.8 PSF	28.3 PSF	136.10 LB-FT	104.6 LB	493.8 LB	436.5 LB
30"			44.5 PSF	35.2 PSF	44.5 PSF	35.2 PSF	29.7 PSF	23.4 PSF	29.7 PSF	23.4 PSF	136.10 LB-FT	86.7 LB	451.1 LB	416.6 LB
36"			38.1 PSF	30.1 PSF	38.1 PSF	30.1 PSF	25.4 PSF	20.0 PSF	25.4 PSF	20.0 PSF	136.10 LB-FT	74.2 LB	422.2 LB	403.4 LB
18"	48"	2304 in ²	45.8 PSF	36.1 PSF	45.8 PSF	36.1 PSF	33.2 PSF	26.2 PSF	33.2 PSF	26.2 PSF	136.10 LB-FT	133.0 LB	592.6 LB	503.3 LB
24"			39.2 PSF	30.9 PSF	39.2 PSF	30.9 PSF	26.1 PSF	20.6 PSF	26.1 PSF	20.6 PSF	136.10 LB-FT	104.6 LB	519.9 LB	462.7 LB
30"			32.5 PSF	25.6 PSF	32.5 PSF	25.6 PSF	21.6 PSF	17.1 PSF	21.6 PSF	17.1 PSF	136.10 LB-FT	86.7 LB	472.8 LB	438.3 LB
36"			27.8 PSF	21.9 PSF	27.8 PSF	21.9 PSF	17.2 PSF	13.2 PSF	17.2 PSF	13.2 PSF	136.10 LB-FT	74.2 LB	440.7 LB	399.5 LB

TABLE LEGEND:
 -DENOTES VALUES NOT APPROVED FOR USE

36" STAND DEPTH: MAX FACE AREA (552in² - 2304in²), FRAME QUANTITY (2-3 FRAMES)

STAND CLEAR HEIGHT	MAX MEAN UNIT HEIGHT	MAX FACE AREA	UNIT TO FRAME RATIO								LOAD TRANSFER INFORMATION FOR USE WITH HOST STRUCTURE VERIFICATION ONLY			
			MAX FACE AREA : 3 FRAMES				MAX FACE AREA : 2 FRAMES				MAX. BASE MOMENT (M)	MAX. BASE SHEAR (V)	MAX. BASE UPLIFT (T)	MAX. BASE GRAVITY (C)
			ANCHOR TYPE: 1 OR 4		ANCHOR TYPE: 2 OR 3		ANCHOR TYPE: 1 OR 4		ANCHOR TYPE: 2 OR 3					
MAX ALLOWABLE LATERAL LOAD	MAX ALLOWABLE UPLIFT	MAX ALLOWABLE LATERAL LOAD	MAX ALLOWABLE UPLIFT	MAX ALLOWABLE LATERAL LOAD	MAX ALLOWABLE UPLIFT	MAX ALLOWABLE LATERAL LOAD	MAX ALLOWABLE UPLIFT	MAX ALLOWABLE LATERAL LOAD	MAX ALLOWABLE UPLIFT					
18"	24"	552 in ²	194.2 PSF	153.3 PSF	194.2 PSF	153.3 PSF	129.5 PSF	102.2 PSF	129.5 PSF	102.2 PSF	136.10 LB-FT	124.1 LB	318.0 LB	236.2 LB
24"			153.0 PSF	120.8 PSF	153.0 PSF	120.8 PSF	102.0 PSF	80.5 PSF	102.0 PSF	80.5 PSF	136.10 LB-FT	97.7 LB	281.5 LB	233.0 LB
30"			127.1 PSF	100.4 PSF	127.1 PSF	100.4 PSF	84.7 PSF	66.9 PSF	84.7 PSF	66.9 PSF	136.10 LB-FT	81.2 LB	259.7 LB	232.1 LB
36"			109.2 PSF	86.2 PSF	109.2 PSF	86.2 PSF	72.8 PSF	57.4 PSF	72.8 PSF	57.4 PSF	136.10 LB-FT	69.7 LB	245.2 LB	232.1 LB
18"	30"	930 in ²	115.3 PSF	91.0 PSF	115.3 PSF	91.0 PSF	76.8 PSF	60.6 PSF	76.8 PSF	60.6 PSF	136.10 LB-FT	124.1 LB	338.7 LB	256.9 LB
24"			90.8 PSF	71.7 PSF	90.8 PSF	71.7 PSF	60.5 PSF	47.8 PSF	60.5 PSF	47.8 PSF	136.10 LB-FT	97.7 LB	297.8 LB	249.3 LB
30"			75.4 PSF	59.5 PSF	75.4 PSF	59.5 PSF	50.3 PSF	39.7 PSF	50.3 PSF	39.7 PSF	136.10 LB-FT	81.2 LB	273.3 LB	245.6 LB
36"			64.8 PSF	51.1 PSF	64.8 PSF	51.1 PSF	43.2 PSF	34.1 PSF	43.2 PSF	34.1 PSF	136.10 LB-FT	69.7 LB	256.9 LB	243.7 LB
18"	36"	1260 in ²	85.1 PSF	67.1 PSF	85.1 PSF	67.1 PSF	56.7 PSF	44.7 PSF	56.7 PSF	44.7 PSF	136.10 LB-FT	124.1 LB	359.4 LB	277.6 LB
24"			67.0 PSF	52.9 PSF	67.0 PSF	52.9 PSF	44.7 PSF	35.2 PSF	44.7 PSF	35.2 PSF	136.10 LB-FT	97.7 LB	314.1 LB	265.6 LB
30"			55.7 PSF	43.9 PSF	55.7 PSF	43.9 PSF	37.1 PSF	29.3 PSF	37.1 PSF	29.3 PSF	136.10 LB-FT	81.2 LB	286.8 LB	259.2 LB

"HD" STAND DESIGN SCHEDULE

24" STAND DEPTH: MAX FACE AREA (2760in² - 11520in²), FRAME QUANTITY (5-8 FRAMES)

STAND CLEAR HEIGHT	MAX MEAN UNIT HEIGHT	MAX FACE AREA	UNIT TO FRAME RATIO																LOAD TRANSFER INFORMATION FOR USE WITH HOST STRUCTURE VERIFICATION ONLY			
			MAX FACE AREA : 8 FRAMES				MAX FACE AREA : 7 FRAMES				MAX FACE AREA : 6 FRAMES				MAX FACE AREA : 5 FRAMES				MAX. BASE MOMENT (M)	MAX. BASE SHEAR (V)	MAX. BASE UPLIFT (T)	MAX. BASE GRAVITY (G)
			ANCHOR TYPE: 1 OR 4		ANCHORS TYPE: 2 OR 3		ANCHOR TYPE: 1 OR 4		ANCHORS TYPE: 2 OR 3		ANCHOR TYPE: 1 OR 4		ANCHORS TYPE: 2 OR 3		ANCHOR TYPE: 1 OR 4		ANCHORS TYPE: 2 OR 3					
MAX ALLOWABLE LATERAL LOAD	MAX ALLOWABLE UPLIFT	MAX ALLOWABLE LATERAL LOAD	MAX ALLOWABLE UPLIFT	MAX ALLOWABLE LATERAL LOAD	MAX ALLOWABLE UPLIFT	MAX ALLOWABLE LATERAL LOAD	MAX ALLOWABLE UPLIFT	MAX ALLOWABLE LATERAL LOAD	MAX ALLOWABLE UPLIFT	MAX ALLOWABLE LATERAL LOAD	MAX ALLOWABLE UPLIFT	MAX ALLOWABLE LATERAL LOAD	MAX ALLOWABLE UPLIFT	MAX ALLOWABLE LATERAL LOAD	MAX ALLOWABLE UPLIFT	MAX ALLOWABLE LATERAL LOAD	MAX ALLOWABLE UPLIFT					
18"	24"	2760 in ²	200.0 PSF	157.8 PSF	171.3 PSF	135.3 PSF	176.2 PSF	139.1 PSF	150.0 PSF	118.4 PSF	151.0 PSF	119.2 PSF	128.7 PSF	101.6 PSF	125.8 PSF	99.3 PSF	107.3 PSF	84.7 PSF	246.90 LB-FT	241.2 LB	837.8 LB	684.2 LB
24"			158.4 PSF	125.0 PSF	141.3 PSF	111.5 PSF	138.6 PSF	109.4 PSF	123.7 PSF	97.6 PSF	118.8 PSF	93.8 PSF	106.1 PSF	83.7 PSF	99.0 PSF	78.1 PSF	88.5 PSF	69.9 PSF	246.90 LB-FT	189.8 LB	752.6 LB	603.9 LB
30"			121.8 PSF	96.1 PSF	120.6 PSF	95.2 PSF	106.6 PSF	84.1 PSF	105.6 PSF	83.4 PSF	91.3 PSF	72.1 PSF	90.6 PSF	71.5 PSF	76.1 PSF	60.1 PSF	75.6 PSF	59.6 PSF	229.10 LB-FT	145.9 LB	648.4 LB	613.1 LB
36"			97.1 PSF	76.7 PSF	97.1 PSF	76.7 PSF	85.0 PSF	67.1 PSF	85.0 PSF	67.1 PSF	72.8 PSF	57.5 PSF	72.8 PSF	57.5 PSF	60.7 PSF	47.9 PSF	60.7 PSF	47.9 PSF	213.50 LB-FT	116.4 LB	572.6 LB	574.6 LB
18"	30"	4650 in ²	119.5 PSF	94.3 PSF	100.1 PSF	79.0 PSF	104.6 PSF	82.5 PSF	87.7 PSF	69.2 PSF	89.6 PSF	70.7 PSF	75.2 PSF	59.4 PSF	74.7 PSF	58.9 PSF	62.7 PSF	49.5 PSF	246.90 LB-FT	241.2 LB	900.2 LB	744.5 LB
24"			94.0 PSF	74.2 PSF	82.8 PSF	65.3 PSF	82.2 PSF	64.9 PSF	72.5 PSF	57.2 PSF	70.5 PSF	55.6 PSF	62.2 PSF	49.1 PSF	58.7 PSF	46.4 PSF	51.8 PSF	40.9 PSF	246.90 LB-FT	189.8 LB	800.1 LB	709.4 LB
30"			72.3 PSF	57.0 PSF	70.8 PSF	55.9 PSF	63.2 PSF	49.9 PSF	62.0 PSF	48.9 PSF	54.2 PSF	42.8 PSF	53.2 PSF	42.0 PSF	45.1 PSF	35.6 PSF	44.3 PSF	35.0 PSF	229.10 LB-FT	145.9 LB	684.9 LB	649.6 LB
36"			57.6 PSF	45.5 PSF	57.6 PSF	45.5 PSF	50.4 PSF	39.8 PSF	50.4 PSF	39.8 PSF	43.2 PSF	34.1 PSF	43.2 PSF	34.1 PSF	36.0 PSF	28.4 PSF	36.0 PSF	28.4 PSF	213.50 LB-FT	116.4 LB	601.7 LB	603.7 LB
18"	36"	6300 in ²	88.2 PSF	69.6 PSF	72.8 PSF	57.5 PSF	77.2 PSF	60.9 PSF	63.7 PSF	50.3 PSF	66.1 PSF	52.2 PSF	54.7 PSF	43.1 PSF	55.1 PSF	43.5 PSF	45.6 PSF	36.0 PSF	246.90 LB-FT	241.2 LB	960.5 LB	804.8 LB
24"			69.4 PSF	54.8 PSF	60.3 PSF	47.6 PSF	60.7 PSF	47.9 PSF	52.8 PSF	41.7 PSF	52.0 PSF	41.1 PSF	45.3 PSF	35.7 PSF	43.3 PSF	34.2 PSF	37.8 PSF	29.8 PSF	246.90 LB-FT	189.8 LB	847.6 LB	756.8 LB
30"			53.3 PSF	42.1 PSF	51.7 PSF	40.8 PSF	45.7 PSF	36.8 PSF	45.3 PSF	36.7 PSF	40.0 PSF	31.6 PSF	38.8 PSF	30.6 PSF	33.3 PSF	26.3 PSF	32.4 PSF	25.5 PSF	229.10 LB-FT	145.9 LB	721.4 LB	686.1 LB
36"			42.5 PSF	33.6 PSF	42.5 PSF	33.6 PSF	37.2 PSF	29.4 PSF	37.2 PSF	29.4 PSF	31.9 PSF	25.2 PSF	31.9 PSF	25.2 PSF	26.6 PSF	21.0 PSF	26.6 PSF	21.0 PSF	213.50 LB-FT	116.4 LB	630.8 LB	632.8 LB
18"	42"	8400 in ²	65.8 PSF	52.0 PSF	53.8 PSF	42.4 PSF	57.6 PSF	45.5 PSF	47.1 PSF	37.2 PSF	49.4 PSF	39.0 PSF	40.4 PSF	31.9 PSF	41.2 PSF	32.5 PSF	32.5 PSF	26.6 PSF	246.90 LB-FT	240.6 LB	1016.0 LB	863.3 LB
24"			52.0 PSF	41.1 PSF	44.7 PSF	35.3 PSF	45.5 PSF	35.9 PSF	39.1 PSF	30.9 PSF	39.0 PSF	30.5 PSF	33.5 PSF	26.5 PSF	32.5 PSF	25.6 PSF	28.0 PSF	22.1 PSF	246.90 LB-FT	189.8 LB	895.0 LB	804.3 LB
30"			40.0 PSF	31.6 PSF	38.4 PSF	30.3 PSF	35.0 PSF	27.6 PSF	33.6 PSF	26.5 PSF	30.0 PSF	23.7 PSF	28.8 PSF	22.7 PSF	25.0 PSF	19.7 PSF	24.0 PSF	18.9 PSF	229.10 LB-FT	145.9 LB	757.9 LB	722.6 LB
36"			31.9 PSF	25.2 PSF	31.9 PSF	25.2 PSF	27.9 PSF	22.0 PSF	27.9 PSF	22.0 PSF	23.9 PSF	18.9 PSF	23.9 PSF	18.9 PSF	23.9 PSF	18.9 PSF	23.9 PSF	18.9 PSF	213.50 LB-FT	116.4 LB	659.9 LB	639.4 LB
18"	48"	11520 in ²	45.8 PSF	36.1 PSF	38.6 PSF	30.5 PSF	41.4 PSF	32.6 PSF	33.8 PSF	26.7 PSF	35.5 PSF	28.0 PSF	29.0 PSF	22.9 PSF	29.6 PSF	23.3 PSF	24.2 PSF	19.1 PSF	242.50 LB-FT	236.9 LB	1057.9 LB	911.4 LB
24"			37.9 PSF	29.9 PSF	32.2 PSF	25.4 PSF	33.2 PSF	26.2 PSF	28.2 PSF	22.2 PSF	28.4 PSF	22.4 PSF	24.2 PSF	19.1 PSF	23.7 PSF	18.7 PSF	20.1 PSF	15.9 PSF	246.90 LB-FT	189.8 LB	942.5 LB	851.8 LB
30"			29.1 PSF	23.0 PSF	27.7 PSF	21.8 PSF	25.5 PSF	20.1 PSF	24.2 PSF	19.1 PSF	21.8 PSF	17.2 PSF	20.8 PSF	16.4 PSF	20.8 PSF	16.4 PSF	20.8 PSF	16.4 PSF	229.10 LB-FT	145.9 LB	794.3 LB	736.6 LB
36"			23.2 PSF	18.3 PSF	23.2 PSF	18.3 PSF	20.3 PSF	16.0 PSF	20.3 PSF	16.0 PSF	20.3 PSF	16.0 PSF	20.3 PSF	16.0 PSF	20.3 PSF	16.0 PSF	20.3 PSF	16.0 PSF	213.50 LB-FT	116.4 LB	689.0 LB	652.5 LB

36" STAND DEPTH: MAX FACE AREA (2760in² - 11520in²), FRAME QUANTITY (5-8 FRAMES)

STAND CLEAR HEIGHT	MAX MEAN UNIT HEIGHT	MAX FACE AREA	UNIT TO FRAME RATIO																LOAD TRANSFER INFORMATION FOR USE WITH HOST STRUCTURE VERIFICATION ONLY			
			MAX FACE AREA : 8 FRAMES				MAX FACE AREA : 7 FRAMES				MAX FACE AREA : 6 FRAMES				MAX FACE AREA : 5 FRAMES				MAX. BASE MOMENT (M)	MAX. BASE SHEAR (V)	MAX. BASE UPLIFT (T)	MAX. BASE GRAVITY (G)
			ANCHOR TYPE: 1 OR 4		ANCHORS TYPE: 2 OR 3		ANCHOR TYPE: 1 OR 4		ANCHORS TYPE: 2 OR 3		ANCHOR TYPE: 1 OR 4		ANCHORS TYPE: 2 OR 3		ANCHOR TYPE: 1 OR 4		ANCHORS TYPE: 2 OR 3					
MAX ALLOWABLE LATERAL LOAD	MAX ALLOWABLE UPLIFT	MAX ALLOWABLE LATERAL LOAD	MAX ALLOWABLE UPLIFT	MAX ALLOWABLE LATERAL LOAD	MAX ALLOWABLE UPLIFT	MAX ALLOWABLE LATERAL LOAD	MAX ALLOWABLE UPLIFT	MAX ALLOWABLE LATERAL LOAD	MAX ALLOWABLE UPLIFT	MAX ALLOWABLE LATERAL LOAD	MAX ALLOWABLE UPLIFT	MAX ALLOWABLE LATERAL LOAD	MAX ALLOWABLE UPLIFT	MAX ALLOWABLE LATERAL LOAD	MAX ALLOWABLE UPLIFT	MAX ALLOWABLE LATERAL LOAD	MAX ALLOWABLE UPLIFT					
18"	24"	2760 in ²	187.9 PSF	148.3 PSF	172.7 PSF	136.4 PSF	164.4 PSF	129.8 PSF	151.2 PSF	119.4 PSF	140.9 PSF	111.2 PSF	129.7 PSF	102.4 PSF	117.4 PSF	92.7 PSF	108.2 PSF	85.4 PSF	246.90 LB-FT	225.1 LB	576.3 LB	441.0 LB
24"			148.0 PSF	116.8 PSF	142.0 PSF	112.1 PSF	129.5 PSF	102.2 PSF	124.4 PSF	98.2 PSF	111.0 PSF	87.6 PSF	106.7 PSF	84.2 PSF	92.5 PSF	73.0 PSF	89.0 PSF	70.2 PSF	246.90 LB-FT	177.3 LB	510.2 LB	435.2 LB
30"			123.0 PSF	97.1 PSF	121.3 PSF	95.7 PSF	107.6 PSF	84.9 PSF	106.2 PSF	83.8 PSF	92.2 PSF	72.8 PSF	91.1 PSF	71.9 PSF	76.8 PSF	60.6 PSF	76.0 PSF	60.0 PSF	246.90 LB-FT	147.3 LB	470.6 LB	433.5 LB
36"			105.6 PSF	83.3 PSF	105.6 PSF	83.3 PSF	92.4 PSF	72.9 PSF	92.4 PSF	72.9 PSF	79.2 PSF	62.5 PSF	79.2 PSF	62.5 PSF	66.0 PSF	52.1 PSF	66.0 PSF	52.1 PSF	246.90 LB-FT	126.5 LB	444.3 LB	433.5 LB
18"	30"	4650 in ²	111.5 PSF	88.0 PSF	101.5 PSF	80.1 PSF	97.5 PSF	77.0 PSF	88.8 PSF	70.1 PSF	83.6 PSF	66.0 PSF	76.2 PSF	60.1 PSF	69.7 PSF	55.0 PSF	63.6 PSF	50.2 PSF	246.90 LB-FT	225.1 LB	613.8 LB	478.5 LB
24"			87.8 PSF	69.3 PSF	83.6 PSF	66.0 PSF	76.8 PSF	60.7 PSF	73.2 PSF	57.8 PSF	65.9 PSF	52.0 PSF	62.8 PSF	49.5 PSF	54.9 PSF	43.3 PSF	53.9 PSF	41.3 PSF	246.90 LB-FT	177.3 LB	539.7 LB	464.8 LB
30"			73.0 PSF	57.6 PSF	71.4 PSF	56.4 PSF	63.8 PSF	50.4 PSF	62.5 PSF	49.4 PSF	54.7 PSF	43.2 PSF	53.6 PSF	42.3 PSF	45.6 PSF	36.0 PSF	44.7 PSF	35.3 PSF	246.90 LB-FT	147.3 LB	495.2 LB	458.1 LB
36"			62.7 PSF	49.5 PSF	62.6 PSF	49.4 PSF	54.8 PSF	43.3 PSF	54.8 PSF	43.3 PSF	47.0 PSF	37.1 PSF	47.0 PSF	37.1 PSF	39.1 PSF	30.9 PSF	39.1 PSF	30.9 PSF	246.90 LB-FT	126.5 LB	465.4 LB	454.6 LB
18"	36"	6300 in ²	82.3 PSF	64.9 PSF	74.1 PSF	58.5 PSF	72.0 PSF	56.8 PSF	64.9 PSF	51.2 PSF	61.7 PSF	48.7 PSF	55.7 PSF	43.9 PSF	51.4 PSF	40.6 PSF	46.4 PSF	36.6 PSF	246.90 LB-FT	225.1 LB	651.3 LB	516.1 LB
24"			64.8 PSF	51.2 PSF	61.2 PSF	48.3 PSF	56.7 PSF	44.8 PSF	53.5 PSF	42.3 PSF	48.6 PSF	38.4 PSF	45.9 PSF	36.2 PSF	40.5 PSF	32.0 PSF	38.3 PSF	30.2 PSF	246.90 LB-FT	177.3 LB	569.3 LB	494.3 LB
30"			53.8 PSF	42.5 PSF	52.3 PSF	41.3 PSF	47.1 PSF	37.2 PSF	45.8 PSF	36.2 PSF	40.4 PSF	31.0 PSF	33.6 PSF	26.5 PSF	32.8 PSF	25.9 PSF	32.8 PSF	25.9 PSF	246.90 LB-FT	147.3 LB	519.7 LB	482.7 LB
36"			46.2 PSF	36.5 PSF	45.9 PSF	36.2 PSF	40.4 PSF	31.9 PSF	40.2 PSF	31.7 PSF	34.7 PSF	27.4 PSF	34.4 PSF	27.2 PSF	28.9 PSF	22.8 PSF	28.7 PSF	22.7 PSF	246.90 LB-FT	126.5 LB	486.5 LB	475.7 LB
18"	42"	8400 in ²	61.7 PSF	48.7 PSF	55.0 PSF	43.4 PSF	54.0 PSF	42.6 PSF	48.2 PSF	38.0 PSF	46.3 PSF	36.5 PSF	41.3 PSF	32.6 PSF	38.5 PSF	30.4 PSF	34.5 PSF	27.2 PSF	246.90 LB-FT	225.1 LB	688.9 LB	553.6 LB
24"			48.6 PSF	38.4 PSF	45.5 PSF	35.9 PSF	45.2 PSF	33.6 PSF	39.8 PSF	31.4 PSF	36.4 PSF	28.8 PSF	34.1 PSF	26.9 PSF	30.4 PSF	24.0 PSF	28.5 PSF	22.5 PSF	246.90 LB-FT	177.3 LB	598.8 LB	523.9 LB
30"			40.4 PSF	31.9 PSF	39.0 PSF	30.7 PSF	35.3 PSF	27.9 PSF	34.1 PSF	26.9 PSF	30.3 PSF	23.9 PSF	29.3 PSF	23.1 PSF	25.2 PSF	19.9 PSF	24.4 PSF	19.2 PSF	246.90 LB-FT	147.3 LB	544.3 LB	507.2 LB
36"			34.7 PSF	27.4 PSF	34.2 PSF	27.0 PSF	30.3 PSF	23.9 PSF	29.9 PSF	23.6 PSF	26.0 PSF	20.5 PSF	25.7 PSF	20.3 PSF	21.6 PSF	17.1 PSF	21.4 PSF	16.9 PSF	246.90 LB-FT	126.5 LB	507.6 LB	496.8 LB
18"	48"	11520 in ²	45.0 PSF	35.5 PSF	39.7 PSF	31.3 PSF	39.3 PSF	31.1 PSF	34.8 PSF	27.4 PSF	33.7 PSF	26.6 PSF	29.8 PSF	23.5 PSF	28.1 PSF	22.2 PSF	24.9 PSF	19.6 PSF	246.90 LB-FT	225.1 LB	726.4 LB	591.1 LB
24"			35.4 PSF	28.0 PSF	32.9 PSF	25.9 PSF	31.0 PSF	24.5 PSF	28.8 PSF	22.7 PSF	26.6 PSF	21.0 PSF	24.7 PSF	19.5 PSF	22.1 PSF	17.5 PSF	20.6 PSF	16.2 PSF	246.90 LB-FT	177.3 LB	628.4 LB	553.4 LB
30"			29.4 PSF	23.2 PSF	28.2 PSF	22.2 PSF	25.7 PSF	20.3 PSF	24.7 PSF	19.5 PSF	22.1 PSF	17.4 PSF	21.2 PSF	16.7 PSF	21.2 PSF	16.7 PSF	21.2 PSF	16.7 PSF	246.90 LB-FT	147.3 LB	568.9 LB	509.3 LB
36"			25.3 PSF	19.9 PSF	24.8 PSF	19.5 PSF	22.1 PSF	17.4 PSF	21.7 PSF	17.1 PSF	21.7 PSF	17.1 PSF	21.7 PSF	17.1 PSF	21.7 PSF	17.1 PSF	21.7 PSF	17.1 PSF	213.50 LB-FT	126.5 LB	528.7 LB	479.3 LB

24" STAND DEPTH: MAX FACE AREA (2208in² - 9216in²), FRAME QUANTITY (4-7 FRAMES)

STAND CLEAR HEIGHT	MAX MEAN UNIT HEIGHT	MAX FACE AREA	UNIT TO FRAME RATIO												LOAD TRANSFER INFORMATION FOR USE WITH HOST STRUCTURE VERIFICATION ONLY				
			MAX FACE AREA : 7 FRAMES				MAX FACE AREA : 6 FRAMES				MAX FACE AREA : 5 FRAMES				MAX. BASE MOMENT (M)	MAX. BASE SHEAR (V)	MAX. BASE UPLIFT (T)	MAX. BASE GRAVITY (G)	
			ANCHOR TYPE: 1 OR 4		ANCHORS TYPE: 2 OR 3		ANCHOR TYPE: 1 OR 4		ANCHORS TYPE: 2 OR 3		ANCHOR TYPE: 1 OR 4		ANCHORS TYPE: 2 OR 3						
MAX ALLOWABLE LATERAL LOAD	MAX ALLOWABLE UPLIFT	MAX ALLOWABLE LATERAL LOAD	MAX ALLOWABLE UPLIFT	MAX ALLOWABLE LATERAL LOAD	MAX ALLOWABLE UPLIFT	MAX ALLOWABLE LATERAL LOAD	MAX ALLOWABLE UPLIFT	MAX ALLOWABLE LATERAL LOAD	MAX ALLOWABLE UPLIFT	MAX ALLOWABLE LATERAL LOAD	MAX ALLOWABLE UPLIFT	MAX ALLOWABLE LATERAL LOAD	MAX ALLOWABLE UPLIFT	MAX ALLOWABLE LATERAL LOAD	MAX ALLOWABLE UPLIFT	MAX ALLOWABLE LATERAL LOAD	MAX ALLOWABLE UPLIFT		
18"	24"	2208 in ²	200.0 PSF	157.8 PSF	187.3 PSF	147.9 PSF	188.8 PSF	149.0 PSF	160.7 PSF	126.8 PSF	157.3 PSF	124.2 PSF	134.0 PSF	105.8 PSF	125.8 PSF	99.3 PSF	107.3 PSF	84.7 PSF	

"HD" STAND DESIGN SCHEDULE CONTINUED

36" STAND DEPTH: MAX FACE AREA (2208in² - 9216in²), FRAME QUANTITY (4-7 FRAMES)

LOAD TRANSFER INFORMATION FOR USE WITH HOST STRUCTURE VERIFICATION ONLY

STAND CLEAR HEIGHT	MAX MEAN UNIT HEIGHT	MAX FACE AREA	UNIT TO FRAME RATIO																MAX. BASE MOMENT (M)	MAX. BASE SHEAR (V)	MAX. BASE UPLIFT (T)	MAX. BASE GRAVITY (C)
			MAX FACE AREA : 7 FRAMES				MAX FACE AREA : 6 FRAMES				MAX FACE AREA : 5 FRAMES				MAX FACE AREA : 4 FRAMES							
			ANCHOR TYPE: 1 OR 4		ANCHORS TYPE: 2 OR 3		ANCHOR TYPE: 1 OR 4		ANCHORS TYPE: 2 OR 3		ANCHOR TYPE: 1 OR 4		ANCHORS TYPE: 2 OR 3		ANCHOR TYPE: 1 OR 4		ANCHORS TYPE: 2 OR 3					
MAX ALLOWABLE LATERAL LOAD	MAX ALLOWABLE UPLIFT	MAX ALLOWABLE LATERAL LOAD	MAX ALLOWABLE UPLIFT	MAX ALLOWABLE LATERAL LOAD	MAX ALLOWABLE UPLIFT	MAX ALLOWABLE LATERAL LOAD	MAX ALLOWABLE UPLIFT	MAX ALLOWABLE LATERAL LOAD	MAX ALLOWABLE UPLIFT	MAX ALLOWABLE LATERAL LOAD	MAX ALLOWABLE UPLIFT	MAX ALLOWABLE LATERAL LOAD	MAX ALLOWABLE UPLIFT	MAX ALLOWABLE LATERAL LOAD	MAX ALLOWABLE UPLIFT							
18"	24"	2208 in ²	200.0 PSF	157.8 PSF	188.9 PSF	149.1 PSF	176.1 PSF	139.0 PSF	162.0 PSF	127.9 PSF	146.8 PSF	115.9 PSF	135.1 PSF	106.7 PSF	117.4 PSF	92.7 PSF	108.2 PSF	85.4 PSF	246.90 LB-FT	225.1 LB	575.4 LB	441.0 LB
24"			161.9 PSF	127.8 PSF	155.3 PSF	122.6 PSF	138.7 PSF	109.5 PSF	133.2 PSF	105.1 PSF	115.6 PSF	91.3 PSF	111.1 PSF	87.7 PSF	92.5 PSF	73.0 PSF	89.0 PSF	70.2 PSF	246.90 LB-FT	177.3 LB	511.4 LB	433.2 LB
30"			134.5 PSF	106.2 PSF	132.6 PSF	104.7 PSF	115.3 PSF	91.0 PSF	113.7 PSF	89.8 PSF	96.1 PSF	75.8 PSF	94.8 PSF	74.9 PSF	76.8 PSF	60.6 PSF	76.0 PSF	60.0 PSF	246.90 LB-FT	147.3 LB	471.8 LB	432.5 LB
36"			115.5 PSF	91.2 PSF	115.5 PSF	91.2 PSF	99.0 PSF	78.1 PSF	99.0 PSF	78.1 PSF	82.5 PSF	65.1 PSF	82.5 PSF	65.1 PSF	66.0 PSF	52.1 PSF	66.0 PSF	52.1 PSF	246.90 LB-FT	126.5 LB	445.5 LB	433.5 LB
18"	30"	3720 in ²	121.9 PSF	96.3 PSF	110.9 PSF	87.6 PSF	104.5 PSF	82.5 PSF	95.1 PSF	75.1 PSF	87.1 PSF	68.7 PSF	79.4 PSF	62.6 PSF	69.7 PSF	55.0 PSF	63.6 PSF	50.2 PSF	246.90 LB-FT	225.1 LB	615.0 LB	478.5 LB
24"			96.1 PSF	75.8 PSF	91.4 PSF	72.1 PSF	82.3 PSF	65.0 PSF	78.4 PSF	61.9 PSF	68.6 PSF	54.1 PSF	65.4 PSF	51.6 PSF	54.9 PSF	43.3 PSF	52.3 PSF	41.3 PSF	246.90 LB-FT	177.3 LB	540.9 LB	464.8 LB
30"			79.8 PSF	63.0 PSF	78.1 PSF	61.7 PSF	68.4 PSF	54.0 PSF	67.0 PSF	52.9 PSF	57.0 PSF	45.0 PSF	55.9 PSF	44.1 PSF	45.6 PSF	36.0 PSF	44.7 PSF	35.3 PSF	246.90 LB-FT	147.3 LB	496.4 LB	458.1 LB
36"			68.5 PSF	54.1 PSF	68.4 PSF	54.0 PSF	58.7 PSF	46.4 PSF	58.7 PSF	46.4 PSF	48.9 PSF	38.6 PSF	48.9 PSF	38.6 PSF	39.1 PSF	30.9 PSF	39.1 PSF	30.9 PSF	246.90 LB-FT	126.5 LB	466.6 LB	454.6 LB
18"	36"	5040 in ²	90.0 PSF	71.0 PSF	81.0 PSF	64.0 PSF	77.1 PSF	60.9 PSF	69.5 PSF	54.9 PSF	64.3 PSF	50.7 PSF	58.0 PSF	45.7 PSF	51.4 PSF	40.6 PSF	46.4 PSF	36.6 PSF	246.90 LB-FT	225.1 LB	652.5 LB	516.1 LB
24"			70.9 PSF	56.0 PSF	66.9 PSF	52.8 PSF	60.8 PSF	48.0 PSF	57.3 PSF	45.3 PSF	50.6 PSF	40.0 PSF	47.8 PSF	37.7 PSF	40.5 PSF	32.0 PSF	38.3 PSF	30.2 PSF	246.90 LB-FT	177.3 LB	570.5 LB	494.3 LB
30"			58.9 PSF	46.5 PSF	57.2 PSF	45.2 PSF	50.5 PSF	39.8 PSF	49.1 PSF	38.7 PSF	42.1 PSF	33.2 PSF	40.9 PSF	32.3 PSF	33.6 PSF	26.0 PSF	32.8 PSF	25.9 PSF	246.90 LB-FT	147.3 LB	520.9 LB	482.7 LB
36"			50.6 PSF	39.9 PSF	50.2 PSF	39.6 PSF	43.3 PSF	34.2 PSF	43.0 PSF	34.0 PSF	36.1 PSF	28.5 PSF	35.9 PSF	28.3 PSF	28.9 PSF	22.8 PSF	28.7 PSF	22.7 PSF	246.90 LB-FT	126.5 LB	487.7 LB	475.7 LB
18"	42"	6720 in ²	67.5 PSF	53.3 PSF	60.2 PSF	47.5 PSF	57.8 PSF	45.6 PSF	51.6 PSF	40.7 PSF	48.2 PSF	38.0 PSF	43.0 PSF	34.0 PSF	38.5 PSF	30.4 PSF	34.5 PSF	27.2 PSF	246.90 LB-FT	225.1 LB	690.1 LB	553.6 LB
24"			53.2 PSF	42.0 PSF	49.7 PSF	39.2 PSF	45.6 PSF	36.0 PSF	43.7 PSF	33.7 PSF	38.0 PSF	30.0 PSF	35.6 PSF	28.1 PSF	34.6 PSF	24.0 PSF	28.5 PSF	22.5 PSF	246.90 LB-FT	177.3 LB	600.0 LB	523.9 LB
30"			44.2 PSF	34.9 PSF	42.6 PSF	33.6 PSF	37.8 PSF	29.9 PSF	36.5 PSF	28.8 PSF	31.5 PSF	24.9 PSF	30.5 PSF	24.0 PSF	25.2 PSF	19.9 PSF	24.4 PSF	19.2 PSF	246.90 LB-FT	147.3 LB	545.5 LB	507.2 LB
36"			37.9 PSF	29.9 PSF	37.4 PSF	29.5 PSF	32.5 PSF	25.6 PSF	32.1 PSF	25.3 PSF	27.1 PSF	21.4 PSF	26.7 PSF	21.0 PSF	21.6 PSF	17.1 PSF	21.4 PSF	16.9 PSF	246.90 LB-FT	126.5 LB	508.8 LB	496.8 LB
18"	48"	9216 in ²	49.2 PSF	38.8 PSF	43.4 PSF	34.3 PSF	42.2 PSF	33.3 PSF	37.2 PSF	29.4 PSF	35.1 PSF	27.7 PSF	31.0 PSF	24.5 PSF	28.1 PSF	22.2 PSF	24.9 PSF	19.6 PSF	246.90 LB-FT	225.1 LB	727.6 LB	591.1 LB
24"			38.7 PSF	30.6 PSF	35.9 PSF	28.4 PSF	33.2 PSF	26.2 PSF	30.8 PSF	24.3 PSF	27.7 PSF	21.8 PSF	25.7 PSF	20.3 PSF	22.1 PSF	17.5 PSF	20.6 PSF	16.2 PSF	246.90 LB-FT	177.3 LB	629.6 LB	553.4 LB
30"			32.2 PSF	25.4 PSF	30.8 PSF	24.3 PSF	27.6 PSF	21.8 PSF	26.4 PSF	20.9 PSF	23.0 PSF	18.1 PSF	22.0 PSF	17.4 PSF					246.90 LB-FT	147.3 LB	570.1 LB	504.8 LB
36"			27.6 PSF	21.8 PSF	27.1 PSF	21.4 PSF	23.7 PSF	18.7 PSF	23.2 PSF	18.3 PSF										246.90 LB-FT	126.5 LB	529.9 LB

24" STAND DEPTH: MAX FACE AREA (1656in² - 6912in²), FRAME QUANTITY (3-6 FRAMES)

LOAD TRANSFER INFORMATION FOR USE WITH HOST STRUCTURE VERIFICATION ONLY

STAND CLEAR HEIGHT	MAX MEAN UNIT HEIGHT	MAX FACE AREA	UNIT TO FRAME RATIO																MAX. BASE MOMENT (M)	MAX. BASE SHEAR (V)	MAX. BASE UPLIFT (T)	MAX. BASE GRAVITY (C)
			MAX FACE AREA : 6 FRAMES				MAX FACE AREA : 5 FRAMES				MAX FACE AREA : 4 FRAMES				MAX FACE AREA : 3 FRAMES							
			ANCHOR TYPE: 1 OR 4		ANCHORS TYPE: 2 OR 3		ANCHOR TYPE: 1 OR 4		ANCHORS TYPE: 2 OR 3		ANCHOR TYPE: 1 OR 4		ANCHORS TYPE: 2 OR 3		ANCHOR TYPE: 1 OR 4		ANCHORS TYPE: 2 OR 3					
MAX ALLOWABLE LATERAL LOAD	MAX ALLOWABLE UPLIFT	MAX ALLOWABLE LATERAL LOAD	MAX ALLOWABLE UPLIFT	MAX ALLOWABLE LATERAL LOAD	MAX ALLOWABLE UPLIFT	MAX ALLOWABLE LATERAL LOAD	MAX ALLOWABLE UPLIFT	MAX ALLOWABLE LATERAL LOAD	MAX ALLOWABLE UPLIFT	MAX ALLOWABLE LATERAL LOAD	MAX ALLOWABLE UPLIFT	MAX ALLOWABLE LATERAL LOAD	MAX ALLOWABLE UPLIFT	MAX ALLOWABLE LATERAL LOAD	MAX ALLOWABLE UPLIFT							
18"	24"	1656 in ²	200.0 PSF	157.8 PSF	200.0 PSF	157.8 PSF	200.0 PSF	157.8 PSF	178.4 PSF	140.9 PSF	167.8 PSF	132.5 PSF	142.9 PSF	112.8 PSF	125.8 PSF	99.3 PSF	107.3 PSF	84.7 PSF	246.90 LB-FT	241.2 LB	837.0 LB	684.2 LB
24"			198.0 PSF	156.3 PSF	176.4 PSF	139.3 PSF	165.0 PSF	130.3 PSF	147.1 PSF	116.1 PSF	132.0 PSF	104.2 PSF	117.8 PSF	99.0 PSF	117.8 PSF	88.5 PSF	99.0 PSF	88.5 PSF	246.90 LB-FT	189.8 LB	755.5 LB	661.9 LB
30"			152.2 PSF	120.2 PSF	150.7 PSF	118.9 PSF	126.9 PSF	100.1 PSF	125.6 PSF	99.2 PSF	101.5 PSF	80.1 PSF	100.6 PSF	79.4 PSF	76.1 PSF	60.1 PSF	75.6 PSF	59.6 PSF	229.10 LB-FT	145.9 LB	651.2 LB	613.1 LB
36"			121.4 PSF	95.9 PSF	121.4 PSF	95.9 PSF	101.2 PSF	79.9 PSF	101.2 PSF	79.9 PSF	80.9 PSF	63.9 PSF	80.9 PSF	63.9 PSF	60.7 PSF	47.9 PSF	60.7 PSF	47.9 PSF	213.50 LB-FT	116.4 LB	575.4 LB	574.6 LB
18"	30"	2790 in ²	142.9 PSF	112.8 PSF	125.1 PSF	98.7 PSF	124.5 PSF	98.3 PSF	104.3 PSF	82.3 PSF	99.6 PSF	78.6 PSF	83.5 PSF	65.9 PSF	74.7 PSF	58.9 PSF	62.7 PSF	49.5 PSF	246.90 LB-FT	241.2 LB	900.7 LB	744.5 LB
24"			117.5 PSF	92.8 PSF	103.4 PSF	81.6 PSF	97.9 PSF	77.3 PSF	86.2 PSF	68.1 PSF	78.3 PSF	61.8 PSF	69.0 PSF	54.5 PSF	58.7 PSF	46.4 PSF	51.8 PSF	40.9 PSF	246.90 LB-FT	189.8 LB	802.9 LB	709.4 LB
30"			90.3 PSF	71.3 PSF	88.4 PSF	69.8 PSF	75.3 PSF	59.4 PSF	73.7 PSF	58.2 PSF	60.2 PSF	47.5 PSF	59.0 PSF	46.6 PSF	45.1 PSF	35.6 PSF	44.3 PSF	35.0 PSF	229.10 LB-FT	145.9 LB	687.7 LB	649.6 LB
36"			72.1 PSF	56.9 PSF	72.1 PSF	56.9 PSF	60.0 PSF	47.4 PSF	60.0 PSF	47.4 PSF	48.0 PSF	37.9 PSF	48.0 PSF	37.9 PSF	36.0 PSF	28.4 PSF	36.0 PSF	28.4 PSF	213.50 LB-FT	116.4 LB	604.5 LB	603.7 LB
18"	36"	3780 in ²	97.1 PSF	87.0 PSF	90.9 PSF	71.8 PSF	91.9 PSF	72.5 PSF	75.8 PSF	59.8 PSF	73.5 PSF	58.0 PSF	60.7 PSF	47.9 PSF	55.1 PSF	43.5 PSF	45.6 PSF	36.0 PSF	246.90 LB-FT	241.2 LB	963.3 LB	804.8 LB
24"			86.7 PSF	68.5 PSF	75.4 PSF	59.5 PSF	72.3 PSF	57.0 PSF	62.8 PSF	49.6 PSF	57.8 PSF	45.6 PSF	50.3 PSF	39.7 PSF	43.3 PSF	34.2 PSF	37.8 PSF	29.8 PSF	246.90 LB-FT	189.8 LB	850.4 LB	756.8 LB
30"			66.7 PSF	52.6 PSF	64.6 PSF	51.0 PSF	55.5 PSF	43.8 PSF	53.8 PSF	42.5 PSF	44.4 PSF	35.1 PSF	43.1 PSF	34.0 PSF	33.3 PSF	26.3 PSF	32.4 PSF	25.5 PSF	229.10 LB-FT	145.9 LB	724.2 LB	686.1 LB
36"			53.2 PSF	42.0 PSF	53.2 PSF	42.0 PSF	44.3 PSF	35.0 PSF	44.3 PSF	35.0 PSF	35.4 PSF	28.0 PSF	35.4 PSF	28.0 PSF	26.6 PSF	21.0 PSF	26.6 PSF	21.0 PSF	213.50 LB-FT	116.4 LB	633.6 LB	632.8 LB
18"	42"	5040 in ²	67.5 PSF	64.9 PSF	67.2 PSF	53.0 PSF	67.5 PSF	54.1 PSF	56.0 PSF	44.2 PSF	54.9 PSF	43.3 PSF	44.8 PSF	35.4 PSF	41.2 PSF	32.5 PSF	33.7 PSF	26.6 PSF	246.30 LB-FT	240.6 LB	1018.1 LB	863.3 LB
24"			65.0 PSF	51.3 PSF	55.8 PSF	44.1 PSF	54.2 PSF	46.5 PSF	46.5 PSF	36.2 PSF	43.3 PSF	34.2 PSF	37.3 PSF	29.4 PSF	32.5 PSF	25.6 PSF	28.0 PSF	22.1 PSF	246.90 LB-FT	189.8 LB	897.8 LB	804.3 LB
30"			50.0 PSF	39.5 PSF	47.9 PSF	37.8 PSF	41.6 PSF	32.9 PSF	39.9 PSF	31.5 PSF	33.3 PSF	26.3 PSF	32.0 PSF	25.2 PSF	25.0 PSF	19.7 PSF	24.0 PSF	18.9 PSF	229.10 LB-FT	145.9 LB	760.7 LB	722.6 LB
36"			39.9 PSF	31.5 PSF	39.9 PSF	31.5 PSF	33.2 PSF	26.2 PSF	33.2 PSF	26.2 PSF	26.6 PSF	21.0 PSF	26.6 PSF	21.0 PSF	23.8 PSF	0.0 PSF	23.1 PSF	0.0 PSF	213.50 LB-FT	116.4 LB	662.7 LB	628.2 LB
18"	48"	6912 in ²	45.8 PSF	36.1 PSF	45.8 PSF	36.1 PSF	45.8 PSF	36.1 PSF	45.8 PSF	36.1 PSF	45.8 PSF	36.1 PSF	45.8 PSF	36.1 PSF	45.8 PSF	36.1 PSF	45.8 PSF	36.1 PSF	242.50 LB-FT	236.9 LB	1057.4 LB	911.4 LB
24"			45.8 PSF	36.1 PSF	40.2 PSF	31.7 PSF	39.5 PSF	31.2 PSF	33.5 PSF	26.4 PSF	31.6 PSF	24.9 PSF	26.8 PSF	21.2 PSF	23.7 PSF	18.7 PSF	20.1 PSF	15.9 PSF	246.90 LB-FT	189.8 LB	943.0 LB	851.8 LB
30"			36.4 PSF	28.8 PSF	34.6 PSF	27.3 PSF	30.4 PSF	24.0 PSF	28.8 PSF	22.1 PSF	24.3 PSF	19.2 PSF	23.1 PSF	18.2 PSF					229.10 LB-FT	145.9 LB	797.2 LB	725.3 LB
36"			29.1 PSF	22.9 PSF	29.1 PSF	22.9 PSF	24.2 PSF	19.1 PSF	24.2 PSF	19.1 PSF										213.50 LB-FT	116.4 LB	691.9 LB

36" STAND DEPTH: MAX FACE AREA (1656in² - 6912in²), FRAME QUANTITY (3-6 FRAMES)

LOAD TRANSFER INFORMATION FOR USE WITH HOST STRUCTURE VERIFICATION ONLY

STAND CLEAR HEIGHT	MAX MEAN UNIT HEIGHT	MAX FACE AREA	UNIT TO FRAME RATIO																MAX. BASE MOMENT (M)	MAX. BASE SHEAR (V)	MAX. BASE UPLIFT (T)	MAX. BASE GRAVITY (C)
			MAX FACE AREA : 6 FRAMES				MAX FACE AREA : 5 FRAMES				MAX FACE AREA : 4 FRAMES				MAX FACE AREA : 3 FRAMES							
			ANCHOR TYPE: 1 OR 4		ANCHORS TYPE: 2 OR 3		ANCHOR TYPE: 1 OR 4		ANCHORS TYPE: 2 OR 3		ANCHOR TYPE: 1 OR 4		ANCHORS TYPE: 2 OR 3		ANCHOR TYPE: 1 OR 4		ANCHORS TYPE: 2 OR 3					
MAX ALLOWABLE LATERAL LOAD	MAX ALLOWABLE UPLIFT	MAX ALLOWABLE LATERAL LOAD	MAX ALLOWABLE UPLIFT	MAX ALLOWABLE LATERAL LOAD	MAX ALLOWABLE UPLIFT	MAX ALLOWABLE LATERAL LOAD	MAX ALLOWABLE UPLIFT	MAX ALLOWABLE LATERAL LOAD	MAX ALLOWABLE UPLIFT	MAX ALLOWABLE LATERAL LOAD	MAX ALLOWABLE UPLIFT	MAX ALLOWABLE LATERAL LOAD	MAX ALLOWABLE UPLIFT	MAX ALLOWABLE LATERAL LOAD	MAX ALLOWABLE UPLIFT							
18"	24"	1656 in ²	200.0 PSF	157.8 PSF	200.0 PSF	157.8 PSF	195.7 PSF	154.5 PSF	179.9 PSF	142.0 PSF	156.5 PSF	123.6 PSF	144.1 PSF	113.7 PSF	117.4 PSF	92.7 PSF	108.2 PSF	85.4 PSF	246.90 LB-FT	225.1 LB	576.9 LB	441.0 LB
24"			1																			

"HD" STAND DESIGN SCHEDULE CONTINUED

24" STAND DEPTH: MAX FACE AREA (1104in² - 4608in²), FRAME QUANTITY (2-5 FRAMES)

LOAD TRANSFER INFORMATION FOR USE WITH HOST STRUCTURE VERIFICATION ONLY

STAND CLEAR HEIGHT	MAX MEAN UNIT HEIGHT	MAX FACE AREA	UNIT TO FRAME RATIO																MAX. BASE MOMENT (M)	MAX. BASE SHEAR (V)	MAX. BASE UPLIFT (T)	MAX. BASE GRAVITY (C)
			MAX FACE AREA : 5 FRAMES				MAX FACE AREA : 4 FRAMES				MAX FACE AREA : 3 FRAMES				MAX FACE AREA : 2 FRAMES							
			ANCHOR TYPE: 1 OR 4		ANCHORS TYPE: 2 OR 3		ANCHOR TYPE: 1 OR 4		ANCHORS TYPE: 2 OR 3		ANCHOR TYPE: 1 OR 4		ANCHORS TYPE: 2 OR 3		ANCHOR TYPE: 1 OR 4		ANCHORS TYPE: 2 OR 3					
MAX ALLOWABLE LATERAL LOAD	MAX ALLOWABLE UPLIFT	MAX ALLOWABLE LATERAL LOAD	MAX ALLOWABLE UPLIFT	MAX ALLOWABLE LATERAL LOAD	MAX ALLOWABLE UPLIFT	MAX ALLOWABLE LATERAL LOAD	MAX ALLOWABLE UPLIFT	MAX ALLOWABLE LATERAL LOAD	MAX ALLOWABLE UPLIFT	MAX ALLOWABLE LATERAL LOAD	MAX ALLOWABLE UPLIFT	MAX ALLOWABLE LATERAL LOAD	MAX ALLOWABLE UPLIFT	MAX ALLOWABLE LATERAL LOAD	MAX ALLOWABLE UPLIFT							
18"	24"	1104 in ²	200.0 PSF	157.8 PSF	200.0 PSF	157.8 PSF	200.0 PSF	157.8 PSF	200.0 PSF	157.8 PSF	188.8 PSF	149.0 PSF	160.7 PSF	126.8 PSF	125.8 PSF	99.3 PSF	107.3 PSF	84.7 PSF	246.90 LB-FT	241.2 LB	838.9 LB	684.3 LB
24"			200.0 PSF	157.8 PSF	200.0 PSF	157.8 PSF	198.0 PSF	156.3 PSF	176.4 PSF	139.3 PSF	148.5 PSF	117.2 PSF	132.5 PSF	104.6 PSF	99.0 PSF	78.1 PSF	88.5 PSF	69.9 PSF	246.90 LB-FT	189.8 LB	755.5 LB	651.2 LB
30"			190.3 PSF	150.2 PSF	188.2 PSF	148.6 PSF	152.2 PSF	120.2 PSF	150.7 PSF	118.9 PSF	114.2 PSF	90.1 PSF	113.1 PSF	89.3 PSF	76.1 PSF	60.1 PSF	75.6 PSF	59.6 PSF	229.10 LB-FT	145.9 LB	653.5 LB	613.1 LB
36"			151.8 PSF	119.8 PSF	151.8 PSF	119.8 PSF	121.4 PSF	95.9 PSF	121.4 PSF	95.9 PSF	91.1 PSF	71.9 PSF	91.1 PSF	71.9 PSF	60.7 PSF	47.9 PSF	60.7 PSF	47.9 PSF	213.50 LB-FT	116.4 LB	577.7 LB	574.6 LB
18"	30"	1860 in ²	142.9 PSF	112.8 PSF	142.9 PSF	112.8 PSF	142.9 PSF	112.8 PSF	142.9 PSF	112.8 PSF	125.1 PSF	98.7 PSF	112.0 PSF	88.4 PSF	93.9 PSF	74.1 PSF	74.7 PSF	58.9 PSF	246.90 LB-FT	241.2 LB	899.2 LB	744.5 LB
24"			142.9 PSF	112.8 PSF	129.2 PSF	102.0 PSF	117.5 PSF	92.8 PSF	103.4 PSF	81.6 PSF	88.1 PSF	69.6 PSF	77.6 PSF	61.3 PSF	58.7 PSF	46.4 PSF	51.8 PSF	40.9 PSF	246.90 LB-FT	189.8 LB	802.9 LB	709.4 LB
30"			112.9 PSF	89.2 PSF	110.5 PSF	87.2 PSF	90.3 PSF	71.3 PSF	88.4 PSF	69.8 PSF	67.7 PSF	53.5 PSF	66.4 PSF	52.4 PSF	45.1 PSF	35.6 PSF	44.3 PSF	35.0 PSF	229.10 LB-FT	145.9 LB	689.9 LB	649.6 LB
36"			90.1 PSF	71.1 PSF	90.1 PSF	71.1 PSF	72.1 PSF	56.9 PSF	72.1 PSF	56.9 PSF	54.0 PSF	42.6 PSF	54.0 PSF	42.6 PSF	36.0 PSF	28.4 PSF	28.4 PSF	28.4 PSF	213.50 LB-FT	116.4 LB	606.8 LB	603.7 LB
18"	36"	2520 in ²	97.1 PSF	108.8 PSF	97.1 PSF	89.7 PSF	97.1 PSF	87.0 PSF	90.9 PSF	71.8 PSF	82.7 PSF	65.3 PSF	68.3 PSF	53.9 PSF	55.1 PSF	43.5 PSF	45.6 PSF	36.0 PSF	246.90 LB-FT	241.2 LB	965.5 LB	804.8 LB
24"			97.1 PSF	85.6 PSF	94.1 PSF	74.3 PSF	86.7 PSF	68.5 PSF	75.4 PSF	59.5 PSF	65.0 PSF	51.3 PSF	56.6 PSF	44.6 PSF	43.3 PSF	34.2 PSF	37.8 PSF	29.8 PSF	246.90 LB-FT	189.8 LB	852.6 LB	756.8 LB
30"			83.3 PSF	65.8 PSF	80.7 PSF	63.7 PSF	66.7 PSF	52.6 PSF	64.6 PSF	51.0 PSF	50.0 PSF	39.5 PSF	48.5 PSF	38.3 PSF	33.3 PSF	26.3 PSF	32.4 PSF	25.5 PSF	229.10 LB-FT	145.9 LB	726.4 LB	686.1 LB
36"			66.5 PSF	52.5 PSF	66.5 PSF	52.5 PSF	53.2 PSF	42.0 PSF	53.2 PSF	42.0 PSF	39.9 PSF	31.5 PSF	39.9 PSF	31.5 PSF	26.6 PSF	21.0 PSF	26.6 PSF	21.0 PSF	213.50 LB-FT	116.4 LB	635.9 LB	632.8 LB
18"	42"	3360 in ²	67.5 PSF	81.1 PSF	67.5 PSF	66.3 PSF	67.5 PSF	64.9 PSF	67.2 PSF	53.0 PSF	61.7 PSF	48.7 PSF	50.4 PSF	39.8 PSF	41.2 PSF	32.5 PSF	33.7 PSF	26.6 PSF	246.30 LB-FT	240.6 LB	1019.7 LB	863.3 LB
24"			67.5 PSF	64.2 PSF	67.5 PSF	55.0 PSF	65.0 PSF	51.3 PSF	55.8 PSF	44.1 PSF	48.8 PSF	38.5 PSF	41.9 PSF	33.1 PSF	32.5 PSF	25.6 PSF	28.0 PSF	22.1 PSF	246.90 LB-FT	189.8 LB	900.1 LB	804.3 LB
30"			62.5 PSF	49.3 PSF	59.9 PSF	47.2 PSF	50.0 PSF	39.5 PSF	47.9 PSF	37.8 PSF	37.5 PSF	29.6 PSF	36.0 PSF	28.4 PSF	25.0 PSF	19.7 PSF	24.0 PSF	18.9 PSF	229.10 LB-FT	145.9 LB	762.9 LB	722.6 LB
36"			49.8 PSF	39.3 PSF	49.8 PSF	39.3 PSF	39.9 PSF	31.5 PSF	39.9 PSF	31.5 PSF	29.9 PSF	23.6 PSF	29.9 PSF	23.6 PSF	23.6 PSF	19.7 PSF	24.0 PSF	18.9 PSF	213.50 LB-FT	116.4 LB	665.0 LB	616.9 LB
18"	48"	4608 in ²	45.8 PSF	36.1 PSF	45.8 PSF	36.1 PSF	45.8 PSF	36.1 PSF	45.8 PSF	36.1 PSF	44.3 PSF	35.0 PSF	44.3 PSF	35.0 PSF	29.6 PSF	23.3 PSF	24.2 PSF	19.1 PSF	242.50 LB-FT	236.9 LB	1058.7 LB	911.4 LB
24"			45.8 PSF	36.1 PSF	45.8 PSF	36.1 PSF	45.8 PSF	36.1 PSF	40.2 PSF	31.7 PSF	35.5 PSF	28.0 PSF	30.2 PSF	23.8 PSF	23.7 PSF	18.7 PSF	20.1 PSF	15.9 PSF	246.90 LB-FT	189.8 LB	941.5 LB	851.8 LB
30"			45.6 PSF	36.0 PSF	43.2 PSF	34.1 PSF	36.4 PSF	28.8 PSF	34.6 PSF	27.3 PSF	27.3 PSF	21.6 PSF	25.9 PSF	20.5 PSF	23.7 PSF	18.7 PSF	20.1 PSF	15.9 PSF	229.10 LB-FT	145.9 LB	799.4 LB	714.1 LB
36"			36.3 PSF	28.7 PSF	36.3 PSF	28.7 PSF	29.1 PSF	22.9 PSF	29.1 PSF	22.9 PSF	21.8 PSF	17.2 PSF	21.8 PSF	17.2 PSF	17.2 PSF	17.2 PSF	17.2 PSF	17.2 PSF	213.50 LB-FT	116.4 LB	694.1 LB	646.0 LB

36" STAND DEPTH: MAX FACE AREA (1104in² - 4608in²), FRAME QUANTITY (2-5 FRAMES)

LOAD TRANSFER INFORMATION FOR USE WITH HOST STRUCTURE VERIFICATION ONLY

STAND CLEAR HEIGHT	MAX MEAN UNIT HEIGHT	MAX FACE AREA	UNIT TO FRAME RATIO																MAX. BASE MOMENT (M)	MAX. BASE SHEAR (V)	MAX. BASE UPLIFT (T)	MAX. BASE GRAVITY (C)
			MAX FACE AREA : 5 FRAMES				MAX FACE AREA : 4 FRAMES				MAX FACE AREA : 3 FRAMES				MAX FACE AREA : 2 FRAMES							
			ANCHOR TYPE: 1 OR 4		ANCHORS TYPE: 2 OR 3		ANCHOR TYPE: 1 OR 4		ANCHORS TYPE: 2 OR 3		ANCHOR TYPE: 1 OR 4		ANCHORS TYPE: 2 OR 3		ANCHOR TYPE: 1 OR 4		ANCHORS TYPE: 2 OR 3					
MAX ALLOWABLE LATERAL LOAD	MAX ALLOWABLE UPLIFT	MAX ALLOWABLE LATERAL LOAD	MAX ALLOWABLE UPLIFT	MAX ALLOWABLE LATERAL LOAD	MAX ALLOWABLE UPLIFT	MAX ALLOWABLE LATERAL LOAD	MAX ALLOWABLE UPLIFT	MAX ALLOWABLE LATERAL LOAD	MAX ALLOWABLE UPLIFT	MAX ALLOWABLE LATERAL LOAD	MAX ALLOWABLE UPLIFT	MAX ALLOWABLE LATERAL LOAD	MAX ALLOWABLE UPLIFT	MAX ALLOWABLE LATERAL LOAD	MAX ALLOWABLE UPLIFT							
18"	24"	1104 in ²	200.0 PSF	157.8 PSF	200.0 PSF	157.8 PSF	200.0 PSF	157.8 PSF	200.0 PSF	157.8 PSF	176.1 PSF	139.0 PSF	162.0 PSF	127.9 PSF	117.4 PSF	92.7 PSF	108.2 PSF	85.4 PSF	246.90 LB-FT	225.1 LB	575.4 LB	441.0 LB
24"			200.0 PSF	157.8 PSF	200.0 PSF	157.8 PSF	185.0 PSF	146.1 PSF	177.4 PSF	140.1 PSF	138.7 PSF	109.5 PSF	133.2 PSF	105.1 PSF	92.5 PSF	73.0 PSF	89.0 PSF	70.2 PSF	246.90 LB-FT	177.3 LB	513.0 LB	435.2 LB
30"			151.7 PSF	119.7 PSF	189.2 PSF	149.4 PSF	153.7 PSF	121.3 PSF	151.5 PSF	119.6 PSF	115.3 PSF	91.0 PSF	113.7 PSF	89.8 PSF	76.8 PSF	60.6 PSF	76.0 PSF	60.0 PSF	246.90 LB-FT	147.3 LB	475.7 LB	433.5 LB
36"			165.0 PSF	130.3 PSF	165.0 PSF	130.3 PSF	132.0 PSF	104.2 PSF	132.0 PSF	104.2 PSF	99.0 PSF	78.1 PSF	99.0 PSF	78.1 PSF	66.0 PSF	52.1 PSF	66.0 PSF	52.1 PSF	246.90 LB-FT	126.5 LB	449.4 LB	433.5 LB
18"	30"	1860 in ²	156.4 PSF	123.5 PSF	156.4 PSF	123.5 PSF	139.4 PSF	110.0 PSF	126.7 PSF	100.0 PSF	104.5 PSF	82.5 PSF	95.1 PSF	75.1 PSF	69.7 PSF	55.0 PSF	63.6 PSF	50.2 PSF	246.90 LB-FT	225.1 LB	616.6 LB	478.5 LB
24"			137.3 PSF	108.3 PSF	130.4 PSF	103.0 PSF	109.8 PSF	86.7 PSF	104.4 PSF	82.4 PSF	82.3 PSF	65.0 PSF	78.4 PSF	61.9 PSF	54.9 PSF	43.3 PSF	52.3 PSF	41.3 PSF	246.90 LB-FT	177.3 LB	544.8 LB	464.8 LB
30"			114.0 PSF	90.0 PSF	111.5 PSF	88.0 PSF	91.2 PSF	72.0 PSF	89.2 PSF	70.4 PSF	68.4 PSF	54.0 PSF	67.0 PSF	52.9 PSF	45.6 PSF	36.0 PSF	44.7 PSF	35.3 PSF	246.90 LB-FT	147.3 LB	500.2 LB	458.1 LB
36"			97.9 PSF	77.3 PSF	97.7 PSF	77.1 PSF	78.3 PSF	61.8 PSF	78.2 PSF	61.7 PSF	58.7 PSF	46.4 PSF	58.7 PSF	46.3 PSF	39.1 PSF	30.9 PSF	39.1 PSF	30.9 PSF	246.90 LB-FT	126.5 LB	470.5 LB	454.6 LB
18"	36"	2520 in ²	115.4 PSF	101.5 PSF	115.4 PSF	91.3 PSF	102.9 PSF	81.2 PSF	92.6 PSF	73.1 PSF	77.1 PSF	60.9 PSF	69.5 PSF	54.9 PSF	51.4 PSF	40.6 PSF	46.4 PSF	36.6 PSF	246.90 LB-FT	225.1 LB	656.4 LB	516.1 LB
24"			101.3 PSF	80.0 PSF	95.4 PSF	75.3 PSF	81.0 PSF	64.0 PSF	76.4 PSF	60.3 PSF	60.8 PSF	48.0 PSF	57.3 PSF	45.3 PSF	40.5 PSF	32.0 PSF	38.3 PSF	30.2 PSF	246.90 LB-FT	177.3 LB	574.3 LB	494.3 LB
30"			84.2 PSF	66.4 PSF	81.7 PSF	64.5 PSF	67.3 PSF	53.1 PSF	65.4 PSF	51.6 PSF	50.5 PSF	39.8 PSF	49.1 PSF	38.7 PSF	33.6 PSF	26.5 PSF	32.8 PSF	25.9 PSF	246.90 LB-FT	147.3 LB	524.8 LB	482.7 LB
36"			72.3 PSF	57.0 PSF	71.6 PSF	56.5 PSF	57.8 PSF	45.6 PSF	57.3 PSF	45.2 PSF	43.3 PSF	34.2 PSF	43.0 PSF	34.0 PSF	28.9 PSF	22.8 PSF	28.7 PSF	22.7 PSF	246.90 LB-FT	126.5 LB	491.6 LB	475.7 LB
18"	42"	3360 in ²	81.4 PSF	76.1 PSF	81.4 PSF	67.8 PSF	77.1 PSF	60.9 PSF	68.7 PSF	54.2 PSF	57.8 PSF	45.6 PSF	51.6 PSF	40.7 PSF	38.5 PSF	30.4 PSF	34.5 PSF	27.2 PSF	246.90 LB-FT	225.1 LB	693.9 LB	553.6 LB
24"			76.0 PSF	60.0 PSF	71.0 PSF	56.0 PSF	60.8 PSF	48.0 PSF	56.8 PSF	44.8 PSF	45.6 PSF	36.0 PSF	42.6 PSF	33.7 PSF	34.0 PSF	24.0 PSF	28.5 PSF	22.5 PSF	246.90 LB-FT	177.3 LB	603.9 LB	523.9 LB
30"			63.1 PSF	49.8 PSF	60.8 PSF	48.0 PSF	50.5 PSF	39.8 PSF	48.7 PSF	38.4 PSF	37.8 PSF	29.9 PSF	36.5 PSF	28.8 PSF	25.2 PSF	19.9 PSF	24.4 PSF	19.2 PSF	246.90 LB-FT	147.3 LB	549.4 LB	507.2 LB
36"			54.2 PSF	42.8 PSF	53.4 PSF	42.1 PSF	43.3 PSF	34.2 PSF	42.7 PSF	33.7 PSF	32.5 PSF	25.6 PSF	32.1 PSF	25.3 PSF	21.6 PSF	17.1 PSF	21.4 PSF	16.9 PSF	246.90 LB-FT	126.5 LB	512.7 LB	496.8 LB
18"	48"	4608 in ²	56.1 PSF	44.2 PSF	56.1 PSF	44.2 PSF	56.1 PSF	44.2 PSF	49.6 PSF	39.1 PSF	42.2 PSF	33.3 PSF	37.2 PSF	29.4 PSF	28.1 PSF	22.2 PSF	24.9 PSF	19.6 PSF	246.90 LB-FT	225.1 LB	726.9 LB	591.1 LB
24"			55.4 PSF	43.7 PSF	51.3 PSF	40.5 PSF	44.3 PSF	35.0 PSF	41.1 PSF	32.4 PSF	33.2 PSF	26.2 PSF	30.8 PSF	24.3 PSF	22.1 PSF	17.5 PSF	20.6 PSF	16.2 PSF	246.90 LB-FT	177.3 LB	633.5 LB	553.4 LB
30"			46.0 PSF	36.3 PSF	44.0 PSF	34.7 PSF	36.8 PSF	29.0 PSF	35.2 PSF	27.8 PSF	27.6 PSF	21.8 PSF	26.4 PSF	20.9 PSF	24.6 PSF	18.7 PSF	20.6 PSF	16.2 PSF	246.90 LB-FT	147.3 LB	573.9 LB	486.8 LB
36"			39.5 PSF	31.2 PSF	38.7 PSF	30.5 PSF	31.6 PSF	24.9 PSF	30.9 PSF	24.4 PSF	23.7 PSF	18.7 PSF	23.2 PSF	18.3 PSF	18.3 PSF	18.3 PSF	18.3 PSF	18.3 PSF	246.90 LB-FT	126.5 LB	533.8 LB	472.9 LB

24" STAND DEPTH: MAX FACE AREA (552in² - 2304in²), FRAME QUANTITY (2-3 FRAMES)

LOAD TRANSFER INFORMATION FOR USE WITH HOST STRUCTURE VERIFICATION ONLY

STAND CLEAR HEIGHT	MAX MEAN UNIT HEIGHT	MAX FACE AREA	UNIT TO FRAME RATIO								MAX. BASE MOMENT (M)	MAX. BASE SHEAR (V)	MAX. BASE UPLIFT (T)	MAX. BASE GRAVITY (C)
			MAX FACE AREA : 3 FRAMES				MAX FACE AREA : 2 FRAMES							
			ANCHOR TYPE: 1 OR 4		ANCHORS TYPE: 2 OR 3		ANCHOR TYPE: 1 OR 4		ANCHORS TYPE: 2 OR 3					
MAX ALLOWABLE LATERAL LOAD	MAX ALLOWABLE UPLIFT	MAX ALLOWABLE LATERAL LOAD	MAX ALLOWABLE UPLIFT	MAX ALLOWABLE LATERAL LOAD	MAX ALLOWABLE UPLIFT	MAX ALLOWABLE LATERAL LOAD	MAX ALLOWABLE UPLIFT							
18"	24"	552 in ²	200.0 PSF	157.8 PSF	200.0 PSF	157.8 PSF	200.0 PSF	157.8 PSF	200.0 PSF	157.8 PSF	196.10 LB-FT	191.6 LB	667.1 LB	503.7 LB
24"			200.0 PSF	157.8 PSF	200.0 PSF	157.8 PSF	198.0 PSF	156.3 PSF	176.4 PSF	139.3 PSF				

"HD" STAND DESIGN SCHEDULE CONTINUED

36" STAND DEPTH: MAX FACE AREA (552in² - 2304in²), FRAME QUANTITY (2-3 FRAMES)

LOAD TRANSFER INFORMATION FOR USE WITH HOST STRUCTURE VERIFICATION ONLY

STAND CLEAR HEIGHT	MAX MEAN UNIT HEIGHT	MAX FACE AREA	UNIT TO FRAME RATIO								MAX. BASE MOMENT (M)	MAX. BASE SHEAR (V)	MAX. BASE UPLIFT (T)	MAX. BASE GRAVITY (C)				
			MAX FACE AREA : 3 FRAMES				MAX FACE AREA : 2 FRAMES											
			ANCHOR TYPE: 1 OR 4		ANCHOR TYPE: 2 OR 3		ANCHOR TYPE: 1 OR 4		ANCHOR TYPE: 2 OR 3									
MAX ALLOWABLE LATERAL LOAD	MAX ALLOWABLE UPLIFT	MAX ALLOWABLE LATERAL LOAD	MAX ALLOWABLE UPLIFT	MAX ALLOWABLE LATERAL LOAD	MAX ALLOWABLE UPLIFT	MAX ALLOWABLE LATERAL LOAD	MAX ALLOWABLE UPLIFT	MAX ALLOWABLE LATERAL LOAD	MAX ALLOWABLE UPLIFT									
18"	24"	552 in ²	200.0 PSF	157.8 PSF	200.0 PSF	157.8 PSF	200.0 PSF	157.8 PSF	200.0 PSF	157.8 PSF	200.0 PSF	157.8 PSF	200.0 PSF	157.8 PSF	210.20 LB-FT	191.6 LB	491.4 LB	328.0 LB
24"			200.0 PSF	157.8 PSF	200.0 PSF	157.8 PSF	200.0 PSF	157.8 PSF	200.0 PSF	157.8 PSF	200.0 PSF	157.8 PSF	200.0 PSF	157.8 PSF	246.90 LB-FT	177.3 LB	513.0 LB	367.7 LB
30"			200.0 PSF	157.8 PSF	200.0 PSF	157.8 PSF	200.0 PSF	157.8 PSF	200.0 PSF	157.8 PSF	200.0 PSF	157.8 PSF	200.0 PSF	157.8 PSF	246.90 LB-FT	147.3 LB	473.4 LB	366.0 LB
36"			198.0 PSF	156.3 PSF	198.0 PSF	156.3 PSF	198.0 PSF	156.3 PSF	198.0 PSF	156.3 PSF	198.0 PSF	156.3 PSF	198.0 PSF	156.3 PSF	246.90 LB-FT	126.5 LB	450.9 LB	366.0 LB
18"	30"	930 in ²	156.4 PSF	123.5 PSF	156.4 PSF	123.5 PSF	156.4 PSF	123.5 PSF	156.4 PSF	123.5 PSF	156.4 PSF	123.5 PSF	156.4 PSF	123.5 PSF	246.90 LB-FT	225.1 LB	616.6 LB	411.0 LB
24"			156.4 PSF	123.5 PSF	156.4 PSF	123.5 PSF	156.4 PSF	123.5 PSF	156.4 PSF	123.5 PSF	156.4 PSF	123.5 PSF	156.4 PSF	123.5 PSF	246.90 LB-FT	177.3 LB	542.5 LB	397.3 LB
30"			136.8 PSF	108.0 PSF	133.7 PSF	105.6 PSF	133.7 PSF	105.6 PSF	133.7 PSF	105.6 PSF	133.7 PSF	105.6 PSF	133.7 PSF	105.6 PSF	246.90 LB-FT	147.3 LB	501.7 LB	390.6 LB
36"			117.5 PSF	92.8 PSF	117.1 PSF	92.5 PSF	117.1 PSF	92.5 PSF	117.1 PSF	92.5 PSF	117.1 PSF	92.5 PSF	117.1 PSF	92.5 PSF	246.90 LB-FT	126.5 LB	472.0 LB	387.1 LB
18"	36"	1260 in ²	115.4 PSF	121.8 PSF	115.4 PSF	109.5 PSF	102.9 PSF	81.2 PSF	92.6 PSF	73.1 PSF	246.90 LB-FT	225.1 LB	657.9 LB	448.6 LB				
24"			115.4 PSF	96.0 PSF	114.5 PSF	90.4 PSF	81.0 PSF	64.0 PSF	76.4 PSF	60.3 PSF	246.90 LB-FT	177.3 LB	575.8 LB	426.8 LB				
30"			101.0 PSF	79.7 PSF	98.0 PSF	73.7 PSF	67.3 PSF	53.1 PSF	65.4 PSF	51.6 PSF	246.90 LB-FT	147.3 LB	526.3 LB	415.2 LB				
36"			86.7 PSF	68.5 PSF	85.9 PSF	67.8 PSF	57.8 PSF	45.6 PSF	57.3 PSF	45.2 PSF	246.90 LB-FT	126.5 LB	493.1 LB	408.2 LB				
18"	42"	1680 in ²	81.4 PSF	91.3 PSF	81.4 PSF	81.3 PSF	77.1 PSF	60.9 PSF	68.7 PSF	54.2 PSF	246.90 LB-FT	225.1 LB	695.4 LB	486.1 LB				
24"			81.4 PSF	72.0 PSF	81.4 PSF	67.2 PSF	60.8 PSF	48.0 PSF	56.8 PSF	44.8 PSF	246.90 LB-FT	177.3 LB	605.4 LB	456.4 LB				
30"			75.7 PSF	59.8 PSF	73.0 PSF	57.6 PSF	50.5 PSF	39.8 PSF	48.7 PSF	38.4 PSF	246.90 LB-FT	147.3 LB	550.9 LB	439.7 LB				
36"			65.0 PSF	51.3 PSF	64.0 PSF	50.5 PSF	43.3 PSF	34.2 PSF	42.7 PSF	33.7 PSF	246.90 LB-FT	126.5 LB	514.2 LB	429.3 LB				
18"	48"	2304 in ²	56.1 PSF	44.2 PSF	56.1 PSF	44.2 PSF	56.1 PSF	44.2 PSF	56.1 PSF	44.2 PSF	246.90 LB-FT	225.1 LB	726.9 LB	522.2 LB				
24"			56.1 PSF	44.2 PSF	56.1 PSF	44.2 PSF	56.1 PSF	44.2 PSF	56.1 PSF	44.2 PSF	246.90 LB-FT	177.3 LB	631.2 LB	485.9 LB				
30"			55.2 PSF	43.6 PSF	52.8 PSF	41.7 PSF	36.8 PSF	29.0 PSF	35.2 PSF	27.8 PSF	246.90 LB-FT	147.3 LB	575.4 LB	464.3 LB				
36"			47.4 PSF	37.4 PSF	46.4 PSF	36.6 PSF	31.6 PSF	24.9 PSF	30.9 PSF	24.4 PSF	246.90 LB-FT	126.5 LB	535.3 LB	450.4 LB				

DESIGN SCHEDULE NOTES:

- MAXIMUM CALCULATED FACE AREA SHALL BE EQUAL TO OR LESS THAN THE MAXIMUM ALLOWABLE FACE AREA FOR EACH CONFIGURATION.
- REFERENCE ANCHOR SCHEDULE FOR ANCHOR TYPES LISTED HEREIN.

"XHD" STAND DESIGN SCHEDULE

24" STAND DEPTH: MAX FACE AREA (2760in² - 11520in²), FRAME QUANTITY (5-8 FRAMES)

LOAD TRANSFER INFORMATION FOR USE WITH HOST STRUCTURE VERIFICATION ONLY

STAND CLEAR HEIGHT	MAX MEAN UNIT HEIGHT	MAX FACE AREA	UNIT TO FRAME RATIO												MAX. BASE MOMENT (M)	MAX. BASE SHEAR (V)	MAX. BASE UPLIFT (T)	MAX. BASE GRAVITY (C)				
			MAX FACE AREA : 8 FRAMES				MAX FACE AREA : 7 FRAMES				MAX FACE AREA : 6 FRAMES								MAX FACE AREA : 5 FRAMES			
			ANCHOR TYPE: 1 OR 4		ANCHORS TYPE: 2 OR 3		ANCHOR TYPE: 1 OR 4		ANCHORS TYPE: 2 OR 3		ANCHOR TYPE: 1 OR 4		ANCHORS TYPE: 2 OR 3						ANCHOR TYPE: 1 OR 4		ANCHORS TYPE: 2 OR 3	
MAX ALLOWABLE LATERAL LOAD	MAX ALLOWABLE UPLIFT	MAX ALLOWABLE LATERAL LOAD	MAX ALLOWABLE UPLIFT	MAX ALLOWABLE LATERAL LOAD	MAX ALLOWABLE UPLIFT	MAX ALLOWABLE LATERAL LOAD	MAX ALLOWABLE UPLIFT	MAX ALLOWABLE LATERAL LOAD	MAX ALLOWABLE UPLIFT	MAX ALLOWABLE LATERAL LOAD	MAX ALLOWABLE UPLIFT	MAX ALLOWABLE LATERAL LOAD	MAX ALLOWABLE UPLIFT	MAX ALLOWABLE LATERAL LOAD	MAX ALLOWABLE UPLIFT	MAX ALLOWABLE LATERAL LOAD	MAX ALLOWABLE UPLIFT					
18"	24"	2760 in ²	200.0 PSF	157.8 PSF	200.0 PSF	157.8 PSF	200.0 PSF	157.8 PSF	200.0 PSF	157.8 PSF	200.0 PSF	157.8 PSF	200.0 PSF	157.8 PSF	181.6 PSF	143.4 PSF	167.8 PSF	132.5 PSF	311.90 LB-FT	348.1 LB	1209.7 LB	927.4 LB
24"			200.0 PSF	157.8 PSF	200.0 PSF	157.8 PSF	197.5 PSF	155.9 PSF	197.4 PSF	153.6 PSF	169.3 PSF	133.6 PSF	169.3 PSF	133.6 PSF	141.0 PSF	111.3 PSF	141.0 PSF	111.3 PSF	311.90 LB-FT	270.4 LB	1076.3 LB	885.8 LB
30"			184.9 PSF	145.9 PSF	184.9 PSF	145.9 PSF	161.7 PSF	127.7 PSF	161.7 PSF	127.7 PSF	138.6 PSF	109.4 PSF	138.6 PSF	109.4 PSF	115.5 PSF	91.2 PSF	115.5 PSF	91.2 PSF	311.90 LB-FT	221.4 LB	991.4 LB	860.6 LB
36"			156.7 PSF	123.7 PSF	156.7 PSF	123.7 PSF	137.1 PSF	108.2 PSF	137.1 PSF	108.2 PSF	117.5 PSF	92.7 PSF	117.5 PSF	92.7 PSF	97.9 PSF	77.3 PSF	97.9 PSF	77.3 PSF	311.90 LB-FT	187.7 LB	931.9 LB	843.8 LB
18"	30"	4650 in ²	142.9 PSF	112.8 PSF	142.9 PSF	112.8 PSF	142.9 PSF	112.8 PSF	135.9 PSF	107.3 PSF	129.3 PSF	102.1 PSF	116.6 PSF	92.0 PSF	107.8 PSF	85.1 PSF	97.3 PSF	76.8 PSF	311.90 LB-FT	348.1 LB	1300.5 LB	1014.5 LB
24"			133.9 PSF	105.7 PSF	131.2 PSF	103.5 PSF	117.2 PSF	92.5 PSF	114.8 PSF	90.7 PSF	100.4 PSF	79.3 PSF	98.5 PSF	77.8 PSF	83.7 PSF	66.1 PSF	82.2 PSF	64.9 PSF	311.90 LB-FT	270.4 LB	1145.9 LB	953.4 LB
30"			109.7 PSF	86.6 PSF	109.7 PSF	86.6 PSF	96.0 PSF	75.8 PSF	96.0 PSF	75.8 PSF	82.3 PSF	64.9 PSF	82.3 PSF	64.9 PSF	68.5 PSF	54.1 PSF	68.5 PSF	54.1 PSF	311.90 LB-FT	221.4 LB	1046.7 LB	916.0 LB
36"			93.0 PSF	73.4 PSF	93.0 PSF	73.4 PSF	81.3 PSF	64.2 PSF	81.3 PSF	64.2 PSF	69.7 PSF	55.0 PSF	69.7 PSF	55.0 PSF	58.1 PSF	45.8 PSF	58.1 PSF	45.8 PSF	311.90 LB-FT	187.7 LB	978.8 LB	890.8 LB
18"	36"	6300 in ²	97.1 PSF	100.5 PSF	97.1 PSF	88.4 PSF	97.1 PSF	87.9 PSF	97.1 PSF	77.4 PSF	95.4 PSF	75.3 PSF	84.1 PSF	66.4 PSF	79.5 PSF	62.8 PSF	70.1 PSF	55.4 PSF	311.90 LB-FT	348.1 LB	1392.2 LB	1101.5 LB
24"			97.1 PSF	78.0 PSF	94.9 PSF	74.9 PSF	86.5 PSF	68.3 PSF	83.1 PSF	65.6 PSF	74.1 PSF	58.5 PSF	71.3 PSF	56.3 PSF	61.8 PSF	48.8 PSF	59.5 PSF	46.9 PSF	311.90 LB-FT	270.4 LB	1213.5 LB	1021.0 LB
30"			81.0 PSF	63.9 PSF	81.0 PSF	63.9 PSF	70.8 PSF	55.9 PSF	70.8 PSF	55.9 PSF	60.7 PSF	47.9 PSF	60.7 PSF	47.9 PSF	50.6 PSF	39.9 PSF	50.6 PSF	39.9 PSF	311.90 LB-FT	221.4 LB	1102.1 LB	971.4 LB
36"			68.6 PSF	54.1 PSF	68.6 PSF	54.1 PSF	60.0 PSF	47.4 PSF	60.0 PSF	47.4 PSF	51.4 PSF	40.6 PSF	51.4 PSF	40.6 PSF	42.9 PSF	33.8 PSF	42.9 PSF	33.8 PSF	311.90 LB-FT	187.7 LB	1025.7 LB	937.7 LB
18"	42"	8400 in ²	67.5 PSF	75.3 PSF	67.5 PSF	64.8 PSF	67.5 PSF	65.9 PSF	67.5 PSF	56.7 PSF	67.5 PSF	56.5 PSF	61.6 PSF	48.6 PSF	59.6 PSF	47.1 PSF	51.4 PSF	40.6 PSF	311.90 LB-FT	348.1 LB	1479.3 LB	1188.6 LB
24"			67.5 PSF	58.5 PSF	67.5 PSF	55.1 PSF	64.9 PSF	51.2 PSF	61.1 PSF	48.2 PSF	55.6 PSF	43.9 PSF	52.4 PSF	41.4 PSF	46.3 PSF	36.6 PSF	43.7 PSF	34.5 PSF	311.90 LB-FT	270.4 LB	1281.1 LB	1088.6 LB
30"			60.7 PSF	47.9 PSF	60.7 PSF	47.9 PSF	53.1 PSF	41.9 PSF	53.1 PSF	41.9 PSF	45.5 PSF	35.9 PSF	45.5 PSF	35.9 PSF	37.9 PSF	29.9 PSF	37.9 PSF	29.9 PSF	311.90 LB-FT	221.4 LB	1157.5 LB	1026.8 LB
36"			51.4 PSF	40.6 PSF	51.4 PSF	40.6 PSF	45.0 PSF	35.5 PSF	45.0 PSF	35.5 PSF	38.6 PSF	30.4 PSF	38.6 PSF	30.4 PSF	32.1 PSF	25.4 PSF	32.1 PSF	25.4 PSF	311.90 LB-FT	187.7 LB	1072.7 LB	984.6 LB
18"	48"	11520 in ²	45.8 PSF	36.1 PSF	45.8 PSF	36.1 PSF	45.8 PSF	36.1 PSF	45.8 PSF	36.1 PSF	45.8 PSF	36.1 PSF	45.8 PSF	36.1 PSF	43.5 PSF	34.3 PSF	36.6 PSF	28.9 PSF	311.90 LB-FT	348.1 LB	1557.9 LB	1275.6 LB
24"			45.8 PSF	36.1 PSF	45.8 PSF	36.1 PSF	45.8 PSF	36.1 PSF	45.8 PSF	36.1 PSF	45.8 PSF	36.1 PSF	45.8 PSF	36.1 PSF	33.8 PSF	26.6 PSF	31.3 PSF	24.7 PSF	311.90 LB-FT	270.4 LB	1344.1 LB	1156.2 LB
30"			44.2 PSF	34.9 PSF	43.6 PSF	34.4 PSF	38.7 PSF	30.6 PSF	38.2 PSF	30.1 PSF	33.2 PSF	26.2 PSF	32.7 PSF	25.8 PSF	27.6 PSF	21.8 PSF	22.1 PSF	21.8 PSF	311.90 LB-FT	221.4 LB	1212.9 LB	1082.1 LB
36"			37.5 PSF	29.6 PSF	37.5 PSF	29.6 PSF	32.8 PSF	25.9 PSF	32.8 PSF	25.9 PSF	28.1 PSF	22.2 PSF	28.1 PSF	22.2 PSF	23.4 PSF	18.5 PSF	23.4 PSF	18.5 PSF	311.90 LB-FT	187.7 LB	1119.6 LB	1031.6 LB

36" STAND DEPTH: MAX FACE AREA (2760in² - 11520in²), FRAME QUANTITY (5-8 FRAMES)

LOAD TRANSFER INFORMATION FOR USE WITH HOST STRUCTURE VERIFICATION ONLY

STAND CLEAR HEIGHT	MAX MEAN UNIT HEIGHT	MAX FACE AREA	UNIT TO FRAME RATIO												MAX. BASE MOMENT (M)	MAX. BASE SHEAR (V)	MAX. BASE UPLIFT (T)	MAX. BASE GRAVITY (C)				
			MAX FACE AREA : 8 FRAMES				MAX FACE AREA : 7 FRAMES				MAX FACE AREA : 6 FRAMES								MAX FACE AREA : 5 FRAMES			
			ANCHOR TYPE: 1 OR 4		ANCHORS TYPE: 2 OR 3		ANCHOR TYPE: 1 OR 4		ANCHORS TYPE: 2 OR 3		ANCHOR TYPE: 1 OR 4		ANCHORS TYPE: 2 OR 3						ANCHOR TYPE: 1 OR 4		ANCHORS TYPE: 2 OR 3	
MAX ALLOWABLE LATERAL LOAD	MAX ALLOWABLE UPLIFT	MAX ALLOWABLE LATERAL LOAD	MAX ALLOWABLE UPLIFT	MAX ALLOWABLE LATERAL LOAD	MAX ALLOWABLE UPLIFT	MAX ALLOWABLE LATERAL LOAD	MAX ALLOWABLE UPLIFT	MAX ALLOWABLE LATERAL LOAD	MAX ALLOWABLE UPLIFT	MAX ALLOWABLE LATERAL LOAD	MAX ALLOWABLE UPLIFT	MAX ALLOWABLE LATERAL LOAD	MAX ALLOWABLE UPLIFT	MAX ALLOWABLE LATERAL LOAD	MAX ALLOWABLE UPLIFT	MAX ALLOWABLE LATERAL LOAD	MAX ALLOWABLE UPLIFT					
18"	24"	2760 in ²	200.0 PSF	157.8 PSF	200.0 PSF	157.8 PSF	200.0 PSF	157.8 PSF	200.0 PSF	157.8 PSF	200.0 PSF	157.8 PSF	200.0 PSF	157.8 PSF	171.3 PSF	135.3 PSF	171.3 PSF	135.3 PSF	311.90 LB-FT	328.5 LB	839.1 LB	581.6 LB
24"			200.0 PSF	157.8 PSF	200.0 PSF	157.8 PSF	187.7 PSF	148.1 PSF	187.7 PSF	148.1 PSF	160.9 PSF	127.0 PSF	160.9 PSF	127.0 PSF	134.0 PSF	105.8 PSF	134.0 PSF	105.8 PSF	311.90 LB-FT	256.9 LB	743.6 LB	570.0 LB
30"			176.7 PSF	139.5 PSF	176.7 PSF	139.5 PSF	154.6 PSF	122.0 PSF	154.6 PSF	122.0 PSF	132.5 PSF	104.6 PSF	132.5 PSF	104.6 PSF	110.4 PS							

"XHD" STAND DESIGN SCHEDULE CONTINUED

24" STAND DEPTH: MAX FACE AREA (2208in² - 9216in²), FRAME QUANTITY (4-7 FRAMES)

STAND CLEAR HEIGHT	MAX MEAN UNIT HEIGHT	MAX FACE AREA	UNIT TO FRAME RATIO																LOAD TRANSFER INFORMATION FOR USE WITH HOST STRUCTURE VERIFICATION ONLY			
			MAX FACE AREA : 7 FRAMES				MAX FACE AREA : 6 FRAMES				MAX FACE AREA : 5 FRAMES				MAX FACE AREA : 4 FRAMES				MAX. BASE MOMENT (M)	MAX. BASE SHEAR (V)	MAX. BASE UPLIFT (T)	MAX. BASE GRAVITY (C)
			ANCHOR TYPE: 1 OR 4		ANCHORS TYPE: 2 OR 3		ANCHOR TYPE: 1 OR 4		ANCHORS TYPE: 2 OR 3		ANCHOR TYPE: 1 OR 4		ANCHORS TYPE: 2 OR 3		ANCHOR TYPE: 1 OR 4		ANCHORS TYPE: 2 OR 3					
MAX ALLOWABLE LATERAL LOAD	MAX ALLOWABLE UPLIFT	MAX ALLOWABLE LATERAL LOAD	MAX ALLOWABLE UPLIFT	MAX ALLOWABLE LATERAL LOAD	MAX ALLOWABLE UPLIFT	MAX ALLOWABLE LATERAL LOAD	MAX ALLOWABLE UPLIFT	MAX ALLOWABLE LATERAL LOAD	MAX ALLOWABLE UPLIFT	MAX ALLOWABLE LATERAL LOAD	MAX ALLOWABLE UPLIFT	MAX ALLOWABLE LATERAL LOAD	MAX ALLOWABLE UPLIFT	MAX ALLOWABLE LATERAL LOAD	MAX ALLOWABLE UPLIFT	MAX ALLOWABLE LATERAL LOAD	MAX ALLOWABLE UPLIFT					
18"	24"	2208 in ²	200.0 PSF	157.8 PSF	200.0 PSF	157.8 PSF	200.0 PSF	157.8 PSF	200.0 PSF	157.8 PSF	200.0 PSF	157.8 PSF	200.0 PSF	157.8 PSF	181.6 PSF	143.4 PSF	167.8 PSF	132.5 PSF	311.90 LB-FT	348.1 LB	1209.7 LB	927.0 LB
24"			200.0 PSF	157.8 PSF	200.0 PSF	157.8 PSF	200.0 PSF	157.8 PSF	200.0 PSF	157.8 PSF	200.0 PSF	157.8 PSF	200.0 PSF	157.8 PSF	176.3 PSF	139.2 PSF	141.0 PSF	111.3 PSF	311.90 LB-FT	270.4 LB	1074.4 LB	885.0 LB
30"			200.0 PSF	157.8 PSF	200.0 PSF	157.8 PSF	173.3 PSF	136.8 PSF	173.3 PSF	136.8 PSF	144.4 PSF	114.0 PSF	144.4 PSF	114.0 PSF	115.5 PSF	91.2 PSF	115.5 PSF	91.2 PSF	311.90 LB-FT	221.4 LB	990.4 LB	860.6 LB
36"			171.3 PSF	135.3 PSF	171.3 PSF	135.3 PSF	146.9 PSF	115.9 PSF	146.9 PSF	115.9 PSF	122.4 PSF	96.6 PSF	122.4 PSF	96.6 PSF	97.9 PSF	77.3 PSF	97.9 PSF	77.3 PSF	311.90 LB-FT	187.7 LB	933.1 LB	843.8 LB
18"	30"	3720 in ²	142.9 PSF	112.8 PSF	142.9 PSF	112.8 PSF	142.9 PSF	112.8 PSF	142.9 PSF	112.8 PSF	142.9 PSF	112.8 PSF	142.9 PSF	112.8 PSF	134.7 PSF	106.3 PSF	121.4 PSF	95.9 PSF	311.90 LB-FT	348.1 LB	1301.3 LB	1014.5 LB
24"			142.9 PSF	112.8 PSF	142.9 PSF	112.8 PSF	125.6 PSF	99.1 PSF	123.0 PSF	97.1 PSF	104.6 PSF	82.6 PSF	102.6 PSF	81.0 PSF	83.7 PSF	66.1 PSF	82.2 PSF	64.9 PSF	311.90 LB-FT	270.4 LB	1145.0 LB	953.4 LB
30"			120.0 PSF	94.7 PSF	120.0 PSF	94.7 PSF	102.8 PSF	81.2 PSF	102.8 PSF	81.2 PSF	85.7 PSF	67.6 PSF	85.7 PSF	67.6 PSF	68.5 PSF	54.1 PSF	68.5 PSF	54.1 PSF	311.90 LB-FT	221.4 LB	1047.9 LB	916.0 LB
36"			101.7 PSF	80.3 PSF	101.7 PSF	80.3 PSF	87.1 PSF	68.8 PSF	87.1 PSF	68.8 PSF	72.6 PSF	57.3 PSF	72.6 PSF	57.3 PSF	58.1 PSF	45.8 PSF	58.1 PSF	45.8 PSF	311.90 LB-FT	187.7 LB	980.0 LB	890.8 LB
18"	36"	5040 in ²	97.1 PSF	109.9 PSF	97.1 PSF	96.6 PSF	97.1 PSF	94.2 PSF	97.1 PSF	82.9 PSF	97.1 PSF	78.5 PSF	87.6 PSF	69.1 PSF	79.5 PSF	62.8 PSF	70.1 PSF	55.4 PSF	311.90 LB-FT	348.1 LB	1393.4 LB	1101.5 LB
24"			97.1 PSF	85.4 PSF	97.1 PSF	81.9 PSF	92.7 PSF	73.2 PSF	89.0 PSF	70.3 PSF	77.2 PSF	61.0 PSF	74.2 PSF	58.6 PSF	61.8 PSF	48.8 PSF	59.5 PSF	46.9 PSF	311.90 LB-FT	270.4 LB	1214.7 LB	1021.0 LB
30"			88.5 PSF	69.9 PSF	88.5 PSF	69.9 PSF	75.9 PSF	59.9 PSF	75.9 PSF	59.9 PSF	63.2 PSF	49.9 PSF	63.2 PSF	49.9 PSF	50.6 PSF	39.9 PSF	50.6 PSF	39.9 PSF	311.90 LB-FT	221.4 LB	1103.3 LB	971.4 LB
36"			75.0 PSF	59.2 PSF	75.0 PSF	59.2 PSF	64.3 PSF	50.8 PSF	64.3 PSF	50.8 PSF	53.6 PSF	42.3 PSF	53.6 PSF	42.3 PSF	42.9 PSF	33.8 PSF	42.9 PSF	33.8 PSF	311.90 LB-FT	187.7 LB	1027.0 LB	937.7 LB
18"	42"	6720 in ²	67.5 PSF	82.4 PSF	67.5 PSF	70.8 PSF	67.5 PSF	70.6 PSF	67.5 PSF	60.7 PSF	67.5 PSF	58.8 PSF	64.2 PSF	50.7 PSF	59.6 PSF	47.1 PSF	51.4 PSF	40.6 PSF	311.90 LB-FT	348.1 LB	1480.5 LB	1188.6 LB
24"			67.5 PSF	64.0 PSF	67.5 PSF	60.3 PSF	67.5 PSF	54.9 PSF	65.5 PSF	51.7 PSF	57.9 PSF	45.7 PSF	54.6 PSF	43.1 PSF	46.3 PSF	34.5 PSF	47.0 PSF	34.5 PSF	311.90 LB-FT	270.4 LB	1282.3 LB	1088.6 LB
30"			66.4 PSF	52.4 PSF	66.4 PSF	52.4 PSF	56.9 PSF	44.9 PSF	56.9 PSF	44.9 PSF	47.4 PSF	37.4 PSF	47.4 PSF	37.4 PSF	37.9 PSF	29.9 PSF	37.9 PSF	29.9 PSF	311.90 LB-FT	221.4 LB	1158.7 LB	1026.8 LB
36"			56.3 PSF	44.4 PSF	56.3 PSF	44.4 PSF	48.2 PSF	38.1 PSF	48.2 PSF	38.1 PSF	40.2 PSF	31.7 PSF	40.2 PSF	31.7 PSF	32.1 PSF	25.4 PSF	32.1 PSF	25.4 PSF	311.90 LB-FT	187.7 LB	1073.9 LB	984.6 LB
18"	48"	9216 in ²	45.8 PSF	36.1 PSF	45.8 PSF	36.1 PSF	45.8 PSF	36.1 PSF	45.8 PSF	36.1 PSF	45.8 PSF	36.1 PSF	45.8 PSF	36.1 PSF	43.5 PSF	34.3 PSF	36.6 PSF	28.9 PSF	311.90 LB-FT	348.1 LB	1557.9 LB	1275.6 LB
24"			45.8 PSF	36.1 PSF	45.8 PSF	36.1 PSF	45.8 PSF	36.1 PSF	45.8 PSF	36.1 PSF	42.2 PSF	33.3 PSF	39.1 PSF	30.8 PSF	33.8 PSF	26.6 PSF	31.3 PSF	24.7 PSF	311.90 LB-FT	270.4 LB	1344.8 LB	1156.2 LB
30"			45.8 PSF	36.1 PSF	45.8 PSF	36.1 PSF	41.5 PSF	32.7 PSF	40.9 PSF	32.3 PSF	34.6 PSF	27.3 PSF	34.1 PSF	26.9 PSF	27.6 PSF	21.8 PSF	27.3 PSF	21.5 PSF	311.90 LB-FT	221.4 LB	1211.9 LB	1082.1 LB
36"			41.0 PSF	32.4 PSF	41.0 PSF	32.4 PSF	35.1 PSF	27.7 PSF	35.1 PSF	27.7 PSF	29.3 PSF	23.1 PSF	29.3 PSF	23.1 PSF	23.4 PSF	18.5 PSF	23.4 PSF	18.5 PSF	311.90 LB-FT	187.7 LB	1120.8 LB	1031.6 LB

36" STAND DEPTH: MAX FACE AREA (2208in² - 9216in²), FRAME QUANTITY (4-7 FRAMES)

STAND CLEAR HEIGHT	MAX MEAN UNIT HEIGHT	MAX FACE AREA	UNIT TO FRAME RATIO																LOAD TRANSFER INFORMATION FOR USE WITH HOST STRUCTURE VERIFICATION ONLY			
			MAX FACE AREA : 7 FRAMES				MAX FACE AREA : 6 FRAMES				MAX FACE AREA : 5 FRAMES				MAX FACE AREA : 4 FRAMES				MAX. BASE MOMENT (M)	MAX. BASE SHEAR (V)	MAX. BASE UPLIFT (T)	MAX. BASE GRAVITY (C)
			ANCHOR TYPE: 1 OR 4		ANCHORS TYPE: 2 OR 3		ANCHOR TYPE: 1 OR 4		ANCHORS TYPE: 2 OR 3		ANCHOR TYPE: 1 OR 4		ANCHORS TYPE: 2 OR 3		ANCHOR TYPE: 1 OR 4		ANCHORS TYPE: 2 OR 3					
MAX ALLOWABLE LATERAL LOAD	MAX ALLOWABLE UPLIFT	MAX ALLOWABLE LATERAL LOAD	MAX ALLOWABLE UPLIFT	MAX ALLOWABLE LATERAL LOAD	MAX ALLOWABLE UPLIFT	MAX ALLOWABLE LATERAL LOAD	MAX ALLOWABLE UPLIFT	MAX ALLOWABLE LATERAL LOAD	MAX ALLOWABLE UPLIFT	MAX ALLOWABLE LATERAL LOAD	MAX ALLOWABLE UPLIFT	MAX ALLOWABLE LATERAL LOAD	MAX ALLOWABLE UPLIFT	MAX ALLOWABLE LATERAL LOAD	MAX ALLOWABLE UPLIFT	MAX ALLOWABLE LATERAL LOAD	MAX ALLOWABLE UPLIFT					
18"	24"	2208 in ²	200.0 PSF	157.8 PSF	200.0 PSF	157.8 PSF	200.0 PSF	157.8 PSF	200.0 PSF	157.8 PSF	200.0 PSF	157.8 PSF	200.0 PSF	157.8 PSF	171.3 PSF	135.3 PSF	171.3 PSF	135.3 PSF	311.90 LB-FT	328.5 LB	839.1 LB	581.6 LB
24"			200.0 PSF	157.8 PSF	200.0 PSF	157.8 PSF	200.0 PSF	157.8 PSF	200.0 PSF	157.8 PSF	167.6 PSF	132.3 PSF	167.6 PSF	132.3 PSF	134.0 PSF	105.8 PSF	134.0 PSF	105.8 PSF	311.90 LB-FT	256.9 LB	741.7 LB	570.0 LB
30"			193.3 PSF	152.6 PSF	193.3 PSF	152.6 PSF	165.6 PSF	130.8 PSF	165.6 PSF	130.8 PSF	138.0 PSF	109.0 PSF	138.0 PSF	109.0 PSF	110.4 PSF	87.2 PSF	110.4 PSF	87.2 PSF	311.90 LB-FT	211.7 LB	683.5 LB	564.0 LB
36"			164.6 PSF	129.9 PSF	164.6 PSF	129.9 PSF	141.0 PSF	111.3 PSF	141.0 PSF	111.3 PSF	117.5 PSF	92.8 PSF	117.5 PSF	92.8 PSF	94.0 PSF	74.2 PSF	94.0 PSF	74.2 PSF	311.90 LB-FT	180.2 LB	640.3 LB	560.4 LB
18"	30"	3720 in ²	156.4 PSF	123.5 PSF	156.4 PSF	123.5 PSF	152.5 PSF	120.4 PSF	152.5 PSF	120.4 PSF	127.1 PSF	100.3 PSF	127.1 PSF	100.3 PSF	101.7 PSF	80.3 PSF	101.7 PSF	80.3 PSF	311.90 LB-FT	328.5 LB	901.3 LB	636.4 LB
24"			139.2 PSF	109.9 PSF	139.2 PSF	109.9 PSF	119.3 PSF	94.2 PSF	119.3 PSF	94.2 PSF	99.4 PSF	78.5 PSF	99.4 PSF	78.5 PSF	79.5 PSF	62.8 PSF	79.5 PSF	62.8 PSF	311.90 LB-FT	256.9 LB	789.6 LB	612.9 LB
30"			114.7 PSF	90.5 PSF	114.7 PSF	90.5 PSF	98.3 PSF	77.6 PSF	98.3 PSF	77.6 PSF	81.9 PSF	64.7 PSF	81.9 PSF	64.7 PSF	65.5 PSF	51.7 PSF	65.5 PSF	51.7 PSF	311.90 LB-FT	211.7 LB	718.8 LB	599.3 LB
36"			97.7 PSF	77.1 PSF	97.7 PSF	77.1 PSF	83.7 PSF	66.1 PSF	83.7 PSF	66.1 PSF	69.7 PSF	55.0 PSF	69.7 PSF	55.0 PSF	55.8 PSF	44.0 PSF	55.8 PSF	44.0 PSF	311.90 LB-FT	180.2 LB	670.3 LB	590.4 LB
18"	36"	5040 in ²	115.4 PSF	103.7 PSF	115.4 PSF	103.7 PSF	112.6 PSF	88.9 PSF	112.6 PSF	88.9 PSF	93.8 PSF	74.0 PSF	93.8 PSF	74.0 PSF	75.0 PSF	59.2 PSF	75.0 PSF	59.2 PSF	311.90 LB-FT	328.5 LB	958.2 LB	691.1 LB
24"			102.7 PSF	81.1 PSF	102.7 PSF	81.1 PSF	88.1 PSF	69.5 PSF	88.1 PSF	69.5 PSF	73.4 PSF	57.9 PSF	73.4 PSF	57.9 PSF	58.7 PSF	46.3 PSF	58.7 PSF	46.3 PSF	311.90 LB-FT	256.9 LB	832.5 LB	655.7 LB
30"			84.6 PSF	66.8 PSF	84.6 PSF	66.8 PSF	72.5 PSF	57.3 PSF	72.5 PSF	57.3 PSF	60.4 PSF	47.7 PSF	60.4 PSF	47.7 PSF	48.3 PSF	38.2 PSF	48.3 PSF	38.2 PSF	311.90 LB-FT	211.7 LB	754.1 LB	634.5 LB
36"			72.1 PSF	56.9 PSF	72.1 PSF	56.9 PSF	61.8 PSF	48.8 PSF	61.8 PSF	48.8 PSF	51.5 PSF	40.6 PSF	51.5 PSF	40.6 PSF	41.2 PSF	32.5 PSF	41.2 PSF	32.5 PSF	311.90 LB-FT	180.2 LB	700.4 LB	620.5 LB
18"	42"	6720 in ²	81.4 PSF	77.8 PSF	81.4 PSF	76.8 PSF	81.4 PSF	66.6 PSF	81.4 PSF	66.6 PSF	81.4 PSF	65.9 PSF	70.3 PSF	55.5 PSF	56.3 PSF	44.4 PSF	55.7 PSF	44.0 PSF	311.90 LB-FT	328.5 LB	1013.0 LB	745.9 LB
24"			77.0 PSF	60.8 PSF	77.0 PSF	60.8 PSF	66.0 PSF	52.1 PSF	66.0 PSF	52.1 PSF	55.0 PSF	43.4 PSF	55.0 PSF	43.4 PSF	44.0 PSF	34.7 PSF	44.0 PSF	34.7 PSF	311.90 LB-FT	256.9 LB	875.3 LB	698.5 LB
30"			63.5 PSF	50.1 PSF	63.5 PSF	50.1 PSF	54.4 PSF	42.9 PSF	54.4 PSF	42.9 PSF	45.3 PSF	35.8 PSF	45.3 PSF	35.8 PSF	36.2 PSF	28.6 PSF	36.2 PSF	28.6 PSF	311.90 LB-FT	211.7 LB	789.4 LB	669.8 LB
36"			54.0 PSF	42.7 PSF	54.0 PSF	42.7 PSF	46.3 PSF	36.6 PSF	46.3 PSF	36.6 PSF	38.6 PSF	30.5 PSF	38.6 PSF	30.5 PSF	30.9 PSF	24.4 PSF	30.9 PSF	24.4 PSF	311.90 LB-FT	180.2 LB	730.4 LB	650.5 LB
18"	48"	9216 in ²	56.1 PSF	44.2 PSF	56.1 PSF	44.2 PSF	56.1 PSF	44.2 PSF	56.1 PSF	44.2 PSF	56.1 PSF	44.2 PSF	56.1 PSF	44.2 PSF	51.3 PSF	40.5 PSF	49.9 PSF	39.4 PSF	311.90 LB-FT	328.5 LB	1062.6 LB	800.6 LB
24"			56.1 PSF	44.2 PSF	56.1 PSF	44.2 PSF	48.1 PSF	38.0 PSF	48.1 PSF	38.0 PSF	40.1 PSF	31.7 PSF	40.1 PSF	31.7 PSF	32.1 PSF	25.3 PSF	32.1 PSF	25.3 PSF	311.90 LB-FT	256.9 LB	916.2 LB	741.4 LB
30"			46.3 PSF	36.5 PSF	46.3 PSF	36.5 PSF	39.6 PSF	31.3 PSF	39.6 PSF	31.3 PSF	33.0 PSF	26.1 PSF	33.0 PSF	26.1 PSF	26.4 PSF	20.8 PSF	26.4 PSF	20.8 PSF	311.90 LB-FT	211.7 LB	824.7 LB	705.1 LB
36"			39.4 PSF	31.1 PSF	39.4 PSF	31.1 PSF	33.8 PSF	26.6 PSF	33.8 PSF	26.6 PSF	28.1 PSF	22.2 PSF	28.1 PSF	22.2 PSF	22.5 PSF	17.7 PSF	22.5 PSF	17.7 PSF	311.90 LB-FT	180.2 LB	760.4 LB	680.6 LB

24" STAND DEPTH: MAX FACE AREA (1656in² - 6912in²), FRAME QUANTITY (3-6 FRAMES)

STAND CLEAR HEIGHT	MAX MEAN UNIT HEIGHT	MAX FACE AREA	UNIT TO FRAME RATIO												LOAD TRANSFER INFORMATION FOR USE WITH HOST STRUCTURE VERIFICATION ONLY			
			MAX FACE AREA : 6 FRAMES				MAX FACE AREA : 5 FRAMES				MAX FACE AREA : 4 FRAMES				MAX. BASE MOMENT (M)	MAX. BASE SHEAR (V)	MAX. BASE UPLIFT (T)	MAX. BASE GRAVITY (C)
			ANCHOR TYPE: 1 OR 4		ANCHORS TYPE: 2 OR 3		ANCHOR TYPE: 1 OR 4		ANCHORS TYPE: 2 OR 3		ANCHOR TYPE: 1 OR 4		ANCHORS TYPE: 2 OR 3					
MAX ALLOWABLE LATERAL LOAD	MAX ALLOWABLE UPLIFT	MAX ALLOWABLE LATERAL LOAD	MAX ALLOWABLE UPLIFT	MAX ALLOWABLE LATERAL LOAD	MAX ALLOWABLE UPLIFT	MAX ALLOWABLE LATERAL LOAD	MAX ALLOWABLE UPLIFT	MAX ALLOWABLE LATERAL LOAD	MAX ALLOWABLE UPLIFT	MAX ALLOWABLE LATERAL LOAD	MAX ALLOWABLE UPLIFT	MAX ALLOWABLE LATERAL LOAD	MAX ALLOWABLE UPLIFT					
18"	24"	1656 in ²	200.0 PSF	157.8 PSF	200.0 PSF	157.8 PSF												

"XHD" STAND DESIGN SCHEDULE CONTINUED

24" STAND DEPTH: MAX FACE AREA (552in² - 2304in²), FRAME QUANTITY (2-3 FRAMES)

STAND CLEAR HEIGHT	MAX MEAN UNIT HEIGHT	MAX FACE AREA	UNIT TO FRAME RATIO								LOAD TRANSFER INFORMATION FOR USE WITH HOST STRUCTURE VERIFICATION ONLY			
			MAX FACE AREA : 3 FRAMES				MAX FACE AREA : 2 FRAMES				MAX. BASE MOMENT (M)	MAX. BASE SHEAR (V)	MAX. BASE UPLIFT (T)	MAX. BASE GRAVITY (C)
			ANCHOR TYPE: 1 OR 4		ANCHOR TYPE: 2 OR 3		ANCHOR TYPE: 1 OR 4		ANCHOR TYPE: 2 OR 3					
MAX ALLOWABLE LATERAL LOAD	MAX ALLOWABLE UPLIFT	MAX ALLOWABLE LATERAL LOAD	MAX ALLOWABLE UPLIFT	MAX ALLOWABLE LATERAL LOAD	MAX ALLOWABLE UPLIFT	MAX ALLOWABLE LATERAL LOAD	MAX ALLOWABLE UPLIFT	MAX ALLOWABLE LATERAL LOAD	MAX ALLOWABLE UPLIFT					
18"	24"	552 in ²	200.0 PSF	157.8 PSF	200.0 PSF	157.8 PSF	200.0 PSF	157.8 PSF	200.0 PSF	157.8 PSF	171.70 LB-FT	191.6 LB	667.1 LB	503.7 LB
24"			200.0 PSF	157.8 PSF	200.0 PSF	157.8 PSF	200.0 PSF	157.8 PSF	200.0 PSF	157.8 PSF	221.00 LB-FT	191.6 LB	762.9 LB	599.6 LB
30"			200.0 PSF	157.8 PSF	200.0 PSF	157.8 PSF	200.0 PSF	157.8 PSF	200.0 PSF	157.8 PSF	269.90 LB-FT	191.6 LB	858.8 LB	695.4 LB
36"			200.0 PSF	157.8 PSF	200.0 PSF	157.8 PSF	195.8 PSF	154.6 PSF	195.8 PSF	154.6 PSF	311.90 LB-FT	187.7 LB	934.7 LB	776.3 LB
18"	30"	930 in ²	142.9 PSF	112.8 PSF	142.9 PSF	112.8 PSF	142.9 PSF	112.8 PSF	142.9 PSF	112.8 PSF	206.80 LB-FT	230.8 LB	863.5 LB	650.7 LB
24"			142.9 PSF	112.8 PSF	142.9 PSF	112.8 PSF	142.9 PSF	112.8 PSF	142.9 PSF	112.8 PSF	266.20 LB-FT	230.8 LB	979.0 LB	766.1 LB
30"			142.9 PSF	112.8 PSF	142.9 PSF	112.8 PSF	137.1 PSF	108.3 PSF	137.1 PSF	108.3 PSF	311.90 LB-FT	221.4 LB	1049.6 LB	848.5 LB
36"			142.9 PSF	112.8 PSF	142.9 PSF	112.8 PSF	116.2 PSF	91.7 PSF	116.2 PSF	91.7 PSF	311.90 LB-FT	187.7 LB	981.6 LB	823.3 LB
18"	36"	1260 in ²	97.1 PSF	157.8 PSF	97.1 PSF	157.8 PSF	97.1 PSF	125.6 PSF	97.1 PSF	110.4 PSF	311.90 LB-FT	348.1 LB	1395.0 LB	1034.0 LB
24"			97.1 PSF	146.4 PSF	97.1 PSF	140.3 PSF	97.1 PSF	97.6 PSF	97.1 PSF	93.6 PSF	311.90 LB-FT	270.4 LB	1220.1 LB	953.5 LB
30"			97.1 PSF	119.9 PSF	97.1 PSF	119.9 PSF	97.1 PSF	79.9 PSF	97.1 PSF	79.9 PSF	311.90 LB-FT	221.4 LB	1108.7 LB	903.9 LB
36"			97.1 PSF	101.6 PSF	97.1 PSF	101.6 PSF	85.8 PSF	67.7 PSF	85.8 PSF	67.7 PSF	311.90 LB-FT	187.7 LB	1032.3 LB	870.2 LB
18"	42"	1680 in ²	67.5 PSF	109.3 PSF	67.5 PSF	109.3 PSF	67.5 PSF	94.2 PSF	67.5 PSF	80.9 PSF	311.90 LB-FT	348.1 LB	1482.1 LB	1121.1 LB
24"			67.5 PSF	109.3 PSF	67.5 PSF	103.2 PSF	67.5 PSF	73.2 PSF	67.5 PSF	68.8 PSF	311.90 LB-FT	270.4 LB	1284.0 LB	1021.1 LB
30"			67.5 PSF	89.9 PSF	67.5 PSF	89.9 PSF	67.5 PSF	59.9 PSF	67.5 PSF	59.9 PSF	311.90 LB-FT	221.4 LB	1164.1 LB	959.3 LB
36"			67.5 PSF	76.2 PSF	67.5 PSF	76.2 PSF	64.3 PSF	50.8 PSF	64.3 PSF	50.8 PSF	311.90 LB-FT	187.7 LB	1079.2 LB	917.1 LB
18"	48"	2304 in ²	45.8 PSF	36.1 PSF	45.8 PSF	36.1 PSF	45.8 PSF	36.1 PSF	45.8 PSF	36.1 PSF	164.30 LB-FT	183.4 LB	821.3 LB	668.4 LB
24"			45.8 PSF	36.1 PSF	45.8 PSF	36.1 PSF	45.8 PSF	36.1 PSF	45.8 PSF	36.1 PSF	211.50 LB-FT	183.4 LB	913.0 LB	760.1 LB
30"			45.8 PSF	36.1 PSF	45.8 PSF	36.1 PSF	45.8 PSF	36.1 PSF	45.8 PSF	36.1 PSF	258.20 LB-FT	183.4 LB	1004.7 LB	851.8 LB
36"			45.8 PSF	36.1 PSF	45.8 PSF	36.1 PSF	45.8 PSF	36.1 PSF	45.8 PSF	36.1 PSF	304.70 LB-FT	183.4 LB	1096.4 LB	943.5 LB

DESIGN SCHEDULE NOTES:

1. MAXIMUM CALCULATED FACE AREA SHALL BE EQUAL TO OR LESS THAN THE MAXIMUM ALLOWABLE FACE AREA FOR EACH CONFIGURATION.
2. REFERENCE ANCHOR SCHEDULE FOR ANCHOR TYPES LISTED HEREIN.

36" STAND DEPTH: MAX FACE AREA (552in² - 2304in²), FRAME QUANTITY (2-3 FRAMES)

STAND CLEAR HEIGHT	MAX MEAN UNIT HEIGHT	MAX FACE AREA	UNIT TO FRAME RATIO								LOAD TRANSFER INFORMATION FOR USE WITH HOST STRUCTURE VERIFICATION ONLY			
			MAX FACE AREA : 3 FRAMES				MAX FACE AREA : 2 FRAMES				MAX. BASE MOMENT (M)	MAX. BASE SHEAR (V)	MAX. BASE UPLIFT (T)	MAX. BASE GRAVITY (C)
			ANCHOR TYPE: 1 OR 4		ANCHOR TYPE: 2 OR 3		ANCHOR TYPE: 1 OR 4		ANCHOR TYPE: 2 OR 3					
MAX ALLOWABLE LATERAL LOAD	MAX ALLOWABLE UPLIFT	MAX ALLOWABLE LATERAL LOAD	MAX ALLOWABLE UPLIFT	MAX ALLOWABLE LATERAL LOAD	MAX ALLOWABLE UPLIFT	MAX ALLOWABLE LATERAL LOAD	MAX ALLOWABLE UPLIFT	MAX ALLOWABLE LATERAL LOAD	MAX ALLOWABLE UPLIFT					
18"	24"	552 in ²	200.0 PSF	157.8 PSF	200.0 PSF	157.8 PSF	200.0 PSF	157.8 PSF	200.0 PSF	157.8 PSF	181.90 LB-FT	191.6 LB	491.4 LB	328.0 LB
24"			200.0 PSF	157.8 PSF	200.0 PSF	157.8 PSF	200.0 PSF	157.8 PSF	200.0 PSF	157.8 PSF	232.60 LB-FT	191.6 LB	555.3 LB	391.9 LB
30"			200.0 PSF	157.8 PSF	200.0 PSF	157.8 PSF	200.0 PSF	157.8 PSF	200.0 PSF	157.8 PSF	282.30 LB-FT	191.6 LB	619.2 LB	455.8 LB
36"			200.0 PSF	157.8 PSF	200.0 PSF	157.8 PSF	188.1 PSF	148.5 PSF	188.1 PSF	148.5 PSF	311.90 LB-FT	180.2 LB	641.9 LB	492.9 LB
18"	30"	930 in ²	156.4 PSF	123.5 PSF	156.4 PSF	123.5 PSF	156.4 PSF	123.5 PSF	156.4 PSF	123.5 PSF	239.90 LB-FT	252.6 LB	693.5 LB	453.1 LB
24"			156.4 PSF	123.5 PSF	156.4 PSF	123.5 PSF	156.4 PSF	123.5 PSF	156.4 PSF	123.5 PSF	306.60 LB-FT	252.6 LB	777.7 LB	537.3 LB
30"			156.4 PSF	123.5 PSF	156.4 PSF	123.5 PSF	131.1 PSF	103.5 PSF	131.1 PSF	103.5 PSF	311.90 LB-FT	211.7 LB	720.4 LB	531.8 LB
36"			156.4 PSF	123.5 PSF	156.4 PSF	123.5 PSF	111.6 PSF	88.1 PSF	111.6 PSF	88.1 PSF	311.90 LB-FT	180.2 LB	671.9 LB	522.9 LB
18"	36"	1260 in ²	115.4 PSF	157.8 PSF	115.4 PSF	157.8 PSF	115.4 PSF	118.5 PSF	115.4 PSF	118.5 PSF	311.90 LB-FT	328.5 LB	959.8 LB	623.6 LB
24"			115.4 PSF	139.1 PSF	115.4 PSF	139.1 PSF	115.4 PSF	92.7 PSF	115.4 PSF	92.7 PSF	311.90 LB-FT	256.9 LB	837.8 LB	588.2 LB
30"			115.4 PSF	114.6 PSF	115.4 PSF	114.6 PSF	96.7 PSF	76.4 PSF	96.7 PSF	76.4 PSF	311.90 LB-FT	211.7 LB	759.5 LB	567.0 LB
36"			115.4 PSF	97.6 PSF	115.4 PSF	97.6 PSF	82.4 PSF	65.0 PSF	82.4 PSF	65.0 PSF	311.90 LB-FT	180.2 LB	705.7 LB	553.0 LB
18"	42"	1680 in ²	81.4 PSF	133.3 PSF	81.4 PSF	131.5 PSF	81.4 PSF	88.9 PSF	81.4 PSF	87.7 PSF	311.90 LB-FT	328.5 LB	1018.3 LB	678.4 LB
24"			81.4 PSF	104.3 PSF	81.4 PSF	104.3 PSF	81.4 PSF	69.5 PSF	81.4 PSF	69.5 PSF	311.90 LB-FT	256.9 LB	880.7 LB	631.0 LB
30"			81.4 PSF	85.9 PSF	81.4 PSF	85.9 PSF	72.5 PSF	57.3 PSF	72.5 PSF	57.3 PSF	311.90 LB-FT	211.7 LB	794.8 LB	602.3 LB
36"			81.4 PSF	73.2 PSF	81.4 PSF	73.2 PSF	61.8 PSF	48.8 PSF	61.8 PSF	48.8 PSF	311.90 LB-FT	180.2 LB	735.8 LB	583.0 LB
18"	48"	2304 in ²	56.1 PSF	44.2 PSF	56.1 PSF	44.2 PSF	56.1 PSF	44.2 PSF	56.1 PSF	44.2 PSF	213.00 LB-FT	224.4 LB	726.9 LB	522.2 LB
24"			56.1 PSF	44.2 PSF	56.1 PSF	44.2 PSF	56.1 PSF	44.2 PSF	56.1 PSF	44.2 PSF	272.30 LB-FT	224.4 LB	801.7 LB	597.0 LB
30"			56.1 PSF	44.2 PSF	56.1 PSF	44.2 PSF	52.9 PSF	41.7 PSF	52.9 PSF	41.7 PSF	311.90 LB-FT	211.7 LB	826.3 LB	637.6 LB
36"			56.1 PSF	44.2 PSF	56.1 PSF	44.2 PSF	45.0 PSF	35.5 PSF	45.0 PSF	35.5 PSF	311.90 LB-FT	180.2 LB	762.1 LB	613.1 LB

"FIXED HD" STAND DESIGN SCHEDULE

48" STAND DEPTH: MAX FACE AREA (2760in² - 11520in²), FRAME QUANTITY (5-8 FRAMES)

STAND CLEAR HEIGHT	MAX MEAN UNIT HEIGHT	MAX FACE AREA	UNIT TO FRAME RATIO												LOAD TRANSFER INFORMATION FOR USE WITH HOST STRUCTURE VERIFICATION ONLY							
			MAX FACE AREA : 8 FRAMES				MAX FACE AREA : 7 FRAMES				MAX FACE AREA : 6 FRAMES				MAX FACE AREA : 5 FRAMES				MAX. BASE MOMENT (M)	MAX. BASE SHEAR (V)	MAX. BASE UPLIFT (T)	MAX. BASE GRAVITY (C)
			ANCHOR TYPE: 1 OR 4		ANCHORS TYPE: 2 OR 3		ANCHOR TYPE: 1 OR 4		ANCHORS TYPE: 2 OR 3		ANCHOR TYPE: 1 OR 4		ANCHORS TYPE: 2 OR 3		ANCHOR TYPE: 1 OR 4		ANCHORS TYPE: 2 OR 3					
MAX ALLOWABLE LATERAL LOAD	MAX ALLOWABLE UPLIFT	MAX ALLOWABLE LATERAL LOAD	MAX ALLOWABLE UPLIFT	MAX ALLOWABLE LATERAL LOAD	MAX ALLOWABLE UPLIFT	MAX ALLOWABLE LATERAL LOAD	MAX ALLOWABLE UPLIFT	MAX ALLOWABLE LATERAL LOAD	MAX ALLOWABLE UPLIFT	MAX ALLOWABLE LATERAL LOAD	MAX ALLOWABLE UPLIFT	MAX ALLOWABLE LATERAL LOAD	MAX ALLOWABLE UPLIFT	MAX ALLOWABLE LATERAL LOAD	MAX ALLOWABLE UPLIFT	MAX ALLOWABLE LATERAL LOAD	MAX ALLOWABLE UPLIFT					
18"	24"	2760 in ²	190.5 PSF	150.4 PSF	179.6 PSF	141.8 PSF	166.7 PSF	131.6 PSF	157.3 PSF	124.2 PSF	142.8 PSF	112.8 PSF	134.9 PSF	106.5 PSF	119.0 PSF	94.0 PSF	112.5 PSF	88.8 PSF	246.90 LB-FT	228.2 LB	479.9 LB	340.7 LB
24"			150.1 PSF	118.5 PSF	147.7 PSF	116.6 PSF	131.3 PSF	103.6 PSF	129.3 PSF	102.0 PSF	112.5 PSF	88.8 PSF	110.9 PSF	87.5 PSF	93.8 PSF	74.0 PSF	92.5 PSF	73.0 PSF	246.90 LB-FT	179.8 LB	420.0 LB	342.0 LB
30"			124.6 PSF	98.4 PSF	124.6 PSF	98.4 PSF	109.0 PSF	86.1 PSF	109.0 PSF	86.1 PSF	93.5 PSF	73.8 PSF	93.5 PSF	73.8 PSF	77.9 PSF	61.5 PSF	77.9 PSF	61.5 PSF	246.90 LB-FT	149.3 LB	383.8 LB	344.2 LB
36"			107.0 PSF	84.4 PSF	107.0 PSF	84.4 PSF	93.6 PSF	73.9 PSF	93.6 PSF	73.9 PSF	80.2 PSF	63.3 PSF	80.2 PSF	63.3 PSF	66.8 PSF	52.8 PSF	66.8 PSF	52.8 PSF	246.90 LB-FT	128.1 LB	359.5 LB	346.6 LB
18"	30"	4650 in ²	113.0 PSF	89.2 PSF	105.8 PSF	83.5 PSF	98.9 PSF	78.1 PSF	92.6 PSF	73.1 PSF	84.8 PSF	66.9 PSF	79.4 PSF	62.7 PSF	70.6 PSF	55.7 PSF	66.2 PSF	52.3 PSF	246.90 LB-FT	228.2 LB	508.4 LB	369.2 LB
24"			89.0 PSF	70.3 PSF	87.0 PSF	68.7 PSF	77.9 PSF	61.5 PSF	76.2 PSF	60.1 PSF	66.8 PSF	52.7 PSF	65.4 PSF	51.6 PSF	55.6 PSF	43.9 PSF	54.5 PSF	43.0 PSF	246.90 LB-FT	179.8 LB	442.5 LB	364.4 LB
30"			74.0 PSF	58.4 PSF	74.0 PSF	58.4 PSF	64.7 PSF	51.1 PSF	64.7 PSF	51.1 PSF	55.5 PSF	43.8 PSF	55.5 PSF	43.8 PSF	46.2 PSF	36.5 PSF	46.2 PSF	36.5 PSF	246.90 LB-FT	149.3 LB	402.5 LB	362.9 LB
36"			63.5 PSF	50.1 PSF	63.5 PSF	50.1 PSF	55.5 PSF	43.8 PSF	55.5 PSF	43.8 PSF	47.6 PSF	37.6 PSF	47.6 PSF	37.6 PSF	39.6 PSF	31.3 PSF	39.6 PSF	31.3 PSF	246.90 LB-FT	128.1 LB	375.5 LB	362.7 LB
18"	36"	6300 in ²	83.4 PSF	65.8 PSF	77.4 PSF	61.1 PSF	73.0 PSF	57.6 PSF	67.8 PSF	53.5 PSF	62.5 PSF	49.4 PSF	58.1 PSF	45.9 PSF	52.1 PSF	41.1 PSF	48.5 PSF	38.3 PSF	246.90 LB-FT	228.2 LB	536.9 LB	397.7 LB
24"			65.7 PSF	51.9 PSF	63.8 PSF	50.4 PSF	57.5 PSF	45.4 PSF	54.7 PSF	41.0 PSF	49.3 PSF	38.9 PSF	47.9 PSF	37.8 PSF	41.1 PSF	32.4 PSF	40.0 PSF	31.5 PSF	246.90 LB-FT	179.8 LB	465.0 LB	386.9 LB
30"			54.6 PSF	43.1 PSF	54.6 PSF	43.1 PSF	47.7 PSF	37.7 PSF	47.7 PSF	37.7 PSF	40.9 PSF	32.3 PSF	40.9 PSF	32.3 PSF	34.1 PSF	26.9 PSF	34.1 PSF	26.9 PSF	246.90 LB-FT	149.3 LB	421.2 LB	381.6 LB
36"			46.8 PSF	37.0 PSF	46.8 PSF	37.0 PSF	41.0 PSF	32.3 PSF	41.0 PSF	32.3 PSF	35.1 PSF	27.7 PSF	35.1 PSF	27.7 PSF	29.3 PSF	23.1 PSF	29.3 PSF	23.1 PSF	246.90 LB-FT	128.1 LB	391.5 LB	378.7 LB
18"	42"	8400 in ²	62.5 PSF	49.4 PSF	57.6 PSF	45.5 PSF	54.7 PSF	43.2 PSF	50.4 PSF	39.8 PSF	46.9 PSF	37.0 PSF	43.2 PSF	34.1 PSF	28.2 PSF	39.1 PSF	30.8 PSF	28.5 PSF	246.90 LB-FT	228.2 LB	565.5 LB	426.2 LB
24"			49.3 PSF	38.9 PSF	47.5 PSF	37.5 PSF	43.1 PSF	34.0 PSF	41.6 PSF	32.8 PSF	36.9 PSF	29.2 PSF	35.7 PSF	28.2 PSF	30.8 PSF	24.3 PSF	29.8 PSF	23.5 PSF	246.90 LB-FT	179.8 LB	487.5 LB	409.4 LB
30"			40.9 PSF	32.3 PSF	40.7 PSF	32.1 PSF	35.8 PSF	28.2 PSF	35.6 PSF	28.1 PSF	30.7 PSF	24.2 PSF	30.5 PSF	24.1 PSF	25.6 PSF	20.2 PSF	25.9 PSF	20.1 PSF	246.90 LB-FT	149.3 LB	439.8 LB	400.2 LB
36"			35.1 PSF	27.7 PSF	35.1 PSF	27.7 PSF	30.7 PSF	24.2 PSF	30.7 PSF													

"FIXED HD" STAND DESIGN SCHEDULE CONTINUED

48" STAND DEPTH: MAX FACE AREA (2208in² - 9216in²), FRAME QUANTITY (4-7 FRAMES)

STAND CLEAR HEIGHT	MAX MEAN UNIT HEIGHT	MAX FACE AREA	UNIT TO FRAME RATIO																LOAD TRANSFER INFORMATION FOR USE WITH HOST STRUCTURE VERIFICATION ONLY			
			MAX FACE AREA : 7 FRAMES				MAX FACE AREA : 6 FRAMES				MAX FACE AREA : 5 FRAMES				MAX FACE AREA : 4 FRAMES				MAX. BASE MOMENT (M)	MAX. BASE SHEAR (V)	MAX. BASE UPLIFT (T)	MAX. BASE GRAVITY (C)
			ANCHOR TYPE: 1 OR 4		ANCHORS TYPE: 2 OR 3		ANCHOR TYPE: 1 OR 4		ANCHORS TYPE: 2 OR 3		ANCHOR TYPE: 1 OR 4		ANCHORS TYPE: 2 OR 3		ANCHOR TYPE: 1 OR 4		ANCHORS TYPE: 2 OR 3					
MAX ALLOWABLE LATERAL LOAD	MAX ALLOWABLE UPLIFT	MAX ALLOWABLE LATERAL LOAD	MAX ALLOWABLE UPLIFT	MAX ALLOWABLE LATERAL LOAD	MAX ALLOWABLE UPLIFT	MAX ALLOWABLE LATERAL LOAD	MAX ALLOWABLE UPLIFT	MAX ALLOWABLE LATERAL LOAD	MAX ALLOWABLE UPLIFT	MAX ALLOWABLE LATERAL LOAD	MAX ALLOWABLE UPLIFT	MAX ALLOWABLE LATERAL LOAD	MAX ALLOWABLE UPLIFT	MAX ALLOWABLE LATERAL LOAD	MAX ALLOWABLE UPLIFT	MAX ALLOWABLE LATERAL LOAD	MAX ALLOWABLE UPLIFT					
18"	24"	2208 in ²	200.0 PSF	157.8 PSF	196.4 PSF	155.1 PSF	178.6 PSF	141.0 PSF	168.5 PSF	133.0 PSF	148.8 PSF	117.5 PSF	140.5 PSF	110.9 PSF	119.0 PSF	94.0 PSF	112.5 PSF	88.8 PSF	246.90 LB-FT	228.2 LB	478.9 LB	340.7 LB
24"			164.1 PSF	129.6 PSF	161.4 PSF	127.4 PSF	140.7 PSF	111.0 PSF	138.5 PSF	109.3 PSF	117.2 PSF	92.5 PSF	115.5 PSF	91.2 PSF	93.8 PSF	74.0 PSF	92.5 PSF	73.0 PSF	246.90 LB-FT	179.8 LB	421.2 LB	342.0 LB
30"			136.3 PSF	107.6 PSF	136.3 PSF	107.6 PSF	116.8 PSF	92.2 PSF	116.8 PSF	92.2 PSF	97.4 PSF	76.8 PSF	97.4 PSF	76.8 PSF	77.9 PSF	61.5 PSF	77.9 PSF	61.5 PSF	246.90 LB-FT	149.3 LB	385.0 LB	342.2 LB
36"			117.0 PSF	92.4 PSF	117.0 PSF	92.4 PSF	100.3 PSF	79.2 PSF	100.3 PSF	79.2 PSF	83.6 PSF	66.0 PSF	83.6 PSF	66.0 PSF	66.8 PSF	52.8 PSF	66.8 PSF	52.8 PSF	246.90 LB-FT	128.1 LB	360.7 LB	346.5 LB
18"	30"	3720 in ²	123.6 PSF	97.6 PSF	115.6 PSF	91.3 PSF	106.0 PSF	83.6 PSF	99.2 PSF	78.3 PSF	88.3 PSF	69.7 PSF	82.7 PSF	65.3 PSF	65.3 PSF	55.7 PSF	66.2 PSF	52.3 PSF	246.90 LB-FT	228.2 LB	509.6 LB	369.2 LB
24"			97.4 PSF	76.9 PSF	95.2 PSF	75.1 PSF	83.5 PSF	65.9 PSF	81.6 PSF	64.4 PSF	69.6 PSF	54.9 PSF	68.1 PSF	53.7 PSF	55.6 PSF	43.9 PSF	54.5 PSF	43.0 PSF	246.90 LB-FT	179.8 LB	443.7 LB	364.4 LB
30"			80.9 PSF	63.8 PSF	80.9 PSF	63.8 PSF	69.3 PSF	54.7 PSF	69.3 PSF	54.7 PSF	57.8 PSF	45.6 PSF	57.8 PSF	45.6 PSF	46.2 PSF	36.5 PSF	46.2 PSF	36.5 PSF	246.90 LB-FT	149.3 LB	403.7 LB	362.9 LB
36"			69.4 PSF	54.8 PSF	69.4 PSF	54.8 PSF	59.5 PSF	47.0 PSF	59.5 PSF	47.0 PSF	49.6 PSF	39.1 PSF	49.6 PSF	39.1 PSF	39.6 PSF	31.3 PSF	39.6 PSF	31.3 PSF	246.90 LB-FT	128.1 LB	376.7 LB	362.7 LB
18"	36"	5040 in ²	91.2 PSF	72.0 PSF	84.7 PSF	66.8 PSF	71.2 PSF	57.1 PSF	72.6 PSF	57.0 PSF	65.2 PSF	51.4 PSF	65.2 PSF	51.4 PSF	41.1 PSF	48.5 PSF	38.3 PSF	246.90 LB-FT	228.2 LB	538.1 LB	397.7 LB	
24"			71.9 PSF	56.7 PSF	69.8 PSF	55.1 PSF	61.6 PSF	48.6 PSF	59.8 PSF	47.2 PSF	51.3 PSF	40.5 PSF	49.9 PSF	39.4 PSF	41.1 PSF	32.4 PSF	40.0 PSF	31.5 PSF	246.90 LB-FT	179.8 LB	466.2 LB	386.9 LB
30"			59.7 PSF	47.1 PSF	59.7 PSF	47.1 PSF	51.2 PSF	40.4 PSF	51.2 PSF	40.4 PSF	42.6 PSF	33.6 PSF	42.6 PSF	33.6 PSF	34.1 PSF	26.9 PSF	34.1 PSF	26.9 PSF	246.90 LB-FT	149.3 LB	422.4 LB	381.6 LB
36"			51.2 PSF	40.4 PSF	51.2 PSF	40.4 PSF	43.9 PSF	34.6 PSF	43.9 PSF	34.6 PSF	36.6 PSF	28.9 PSF	36.6 PSF	28.9 PSF	29.3 PSF	23.1 PSF	29.3 PSF	23.1 PSF	246.90 LB-FT	128.1 LB	392.7 LB	378.7 LB
18"	42"	6720 in ²	68.4 PSF	54.0 PSF	63.0 PSF	49.7 PSF	58.6 PSF	46.3 PSF	54.0 PSF	42.6 PSF	48.9 PSF	38.6 PSF	45.0 PSF	35.5 PSF	39.1 PSF	30.8 PSF	36.1 PSF	28.5 PSF	246.90 LB-FT	228.2 LB	566.7 LB	426.2 LB
24"			53.9 PSF	42.5 PSF	52.0 PSF	41.0 PSF	46.2 PSF	36.5 PSF	44.6 PSF	35.2 PSF	38.5 PSF	30.4 PSF	37.2 PSF	29.3 PSF	30.8 PSF	24.3 PSF	29.8 PSF	23.5 PSF	246.90 LB-FT	179.8 LB	488.7 LB	409.4 LB
30"			44.8 PSF	35.3 PSF	44.5 PSF	35.1 PSF	38.4 PSF	30.3 PSF	38.1 PSF	30.1 PSF	32.0 PSF	25.2 PSF	31.8 PSF	25.1 PSF	25.6 PSF	20.2 PSF	25.5 PSF	20.1 PSF	246.90 LB-FT	149.3 LB	441.0 LB	400.2 LB
36"			38.4 PSF	30.3 PSF	38.4 PSF	30.3 PSF	32.9 PSF	26.0 PSF	32.9 PSF	26.0 PSF	27.4 PSF	21.6 PSF	27.4 PSF	21.6 PSF	21.9 PSF	17.3 PSF	21.9 PSF	17.3 PSF	246.90 LB-FT	128.1 LB	408.8 LB	394.7 LB
18"	48"	9216 in ²	49.9 PSF	39.4 PSF	45.5 PSF	35.9 PSF	42.7 PSF	33.7 PSF	39.1 PSF	30.8 PSF	35.5 PSF	28.1 PSF	32.6 PSF	25.7 PSF	28.5 PSF	22.5 PSF	26.1 PSF	20.6 PSF	246.90 LB-FT	228.2 LB	595.2 LB	454.8 LB
24"			39.3 PSF	31.0 PSF	37.6 PSF	29.7 PSF	33.7 PSF	26.6 PSF	32.3 PSF	25.5 PSF	28.0 PSF	22.1 PSF	26.9 PSF	21.2 PSF	22.4 PSF	17.7 PSF	21.6 PSF	17.0 PSF	246.90 LB-FT	179.8 LB	511.2 LB	431.9 LB
30"			32.6 PSF	25.7 PSF	32.2 PSF	25.4 PSF	28.0 PSF	22.1 PSF	27.6 PSF	21.8 PSF	23.3 PSF	18.4 PSF	23.1 PSF	18.2 PSF	18.2 PSF	14.3 PSF	18.2 PSF	14.3 PSF	246.90 LB-FT	149.3 LB	459.7 LB	391.9 LB
36"			28.0 PSF	22.1 PSF	28.0 PSF	22.1 PSF	24.0 PSF	18.9 PSF	24.0 PSF	18.9 PSF	20.0 PSF	15.8 PSF	20.0 PSF	15.8 PSF	15.8 PSF	12.1 PSF	15.8 PSF	12.1 PSF	246.90 LB-FT	128.1 LB	424.8 LB	383.7 LB

48" STAND DEPTH: MAX FACE AREA (1656in² - 6912in²), FRAME QUANTITY (3-6 FRAMES)

STAND CLEAR HEIGHT	MAX MEAN UNIT HEIGHT	MAX FACE AREA	UNIT TO FRAME RATIO												LOAD TRANSFER INFORMATION FOR USE WITH HOST STRUCTURE VERIFICATION ONLY							
			MAX FACE AREA : 6 FRAMES				MAX FACE AREA : 5 FRAMES				MAX FACE AREA : 4 FRAMES				MAX FACE AREA : 3 FRAMES				MAX. BASE MOMENT (M)	MAX. BASE SHEAR (V)	MAX. BASE UPLIFT (T)	MAX. BASE GRAVITY (C)
			ANCHOR TYPE: 1 OR 4		ANCHORS TYPE: 2 OR 3		ANCHOR TYPE: 1 OR 4		ANCHORS TYPE: 2 OR 3		ANCHOR TYPE: 1 OR 4		ANCHORS TYPE: 2 OR 3		ANCHOR TYPE: 1 OR 4		ANCHORS TYPE: 2 OR 3					
MAX ALLOWABLE LATERAL LOAD	MAX ALLOWABLE UPLIFT	MAX ALLOWABLE LATERAL LOAD	MAX ALLOWABLE UPLIFT	MAX ALLOWABLE LATERAL LOAD	MAX ALLOWABLE UPLIFT	MAX ALLOWABLE LATERAL LOAD	MAX ALLOWABLE UPLIFT	MAX ALLOWABLE LATERAL LOAD	MAX ALLOWABLE UPLIFT	MAX ALLOWABLE LATERAL LOAD	MAX ALLOWABLE UPLIFT	MAX ALLOWABLE LATERAL LOAD	MAX ALLOWABLE UPLIFT	MAX ALLOWABLE LATERAL LOAD	MAX ALLOWABLE UPLIFT	MAX ALLOWABLE LATERAL LOAD	MAX ALLOWABLE UPLIFT					
18"	24"	1656 in ²	200.0 PSF	157.8 PSF	200.0 PSF	157.8 PSF	198.4 PSF	156.6 PSF	187.1 PSF	147.7 PSF	158.7 PSF	125.3 PSF	149.8 PSF	118.3 PSF	119.0 PSF	94.0 PSF	112.5 PSF	88.8 PSF	246.90 LB-FT	228.2 LB	480.4 LB	340.7 LB
24"			187.6 PSF	148.1 PSF	184.4 PSF	145.6 PSF	156.3 PSF	123.4 PSF	153.8 PSF	121.4 PSF	125.0 PSF	98.7 PSF	123.1 PSF	97.2 PSF	93.8 PSF	74.0 PSF	92.5 PSF	73.0 PSF	246.90 LB-FT	179.8 LB	422.9 LB	342.0 LB
30"			155.8 PSF	123.0 PSF	155.8 PSF	123.0 PSF	129.8 PSF	102.5 PSF	129.8 PSF	102.5 PSF	103.8 PSF	82.0 PSF	103.8 PSF	82.0 PSF	77.9 PSF	61.5 PSF	77.9 PSF	61.5 PSF	246.90 LB-FT	149.3 LB	386.6 LB	344.2 LB
36"			133.7 PSF	105.6 PSF	133.7 PSF	105.6 PSF	111.4 PSF	88.0 PSF	111.4 PSF	88.0 PSF	89.1 PSF	70.4 PSF	89.1 PSF	70.4 PSF	66.8 PSF	52.8 PSF	66.8 PSF	52.8 PSF	246.90 LB-FT	128.1 LB	362.3 LB	346.6 LB
18"	30"	2790 in ²	141.3 PSF	111.5 PSF	132.1 PSF	104.3 PSF	117.7 PSF	92.9 PSF	110.1 PSF	86.9 PSF	94.2 PSF	74.3 PSF	88.2 PSF	69.6 PSF	70.6 PSF	55.7 PSF	66.2 PSF	52.3 PSF	246.90 LB-FT	228.2 LB	511.2 LB	369.2 LB
24"			111.3 PSF	87.9 PSF	108.7 PSF	85.8 PSF	92.8 PSF	73.2 PSF	90.7 PSF	71.6 PSF	74.2 PSF	58.6 PSF	72.6 PSF	57.3 PSF	55.6 PSF	43.9 PSF	54.5 PSF	43.0 PSF	246.90 LB-FT	179.8 LB	445.3 LB	364.4 LB
30"			92.5 PSF	73.0 PSF	92.5 PSF	73.0 PSF	77.0 PSF	60.8 PSF	77.0 PSF	60.8 PSF	61.6 PSF	48.6 PSF	61.6 PSF	48.6 PSF	46.2 PSF	36.5 PSF	46.2 PSF	36.5 PSF	246.90 LB-FT	149.3 LB	405.3 LB	362.9 LB
36"			79.3 PSF	62.6 PSF	79.3 PSF	62.6 PSF	66.1 PSF	52.2 PSF	66.1 PSF	52.2 PSF	52.9 PSF	41.7 PSF	52.9 PSF	41.7 PSF	39.6 PSF	31.3 PSF	39.6 PSF	31.3 PSF	246.90 LB-FT	128.1 LB	378.3 PSF	362.7 LB
18"	36"	3780 in ²	104.3 PSF	82.3 PSF	96.7 PSF	76.3 PSF	86.9 PSF	68.6 PSF	80.6 PSF	63.6 PSF	69.5 PSF	54.9 PSF	64.6 PSF	51.0 PSF	52.1 PSF	41.1 PSF	48.5 PSF	38.3 PSF	246.90 LB-FT	228.2 LB	539.7 LB	397.7 LB
24"			82.2 PSF	64.8 PSF	79.7 PSF	62.9 PSF	68.5 PSF	54.0 PSF	65.5 PSF	52.5 PSF	54.8 PSF	43.2 PSF	53.2 PSF	42.0 PSF	41.1 PSF	32.4 PSF	40.0 PSF	31.5 PSF	246.90 LB-FT	179.8 LB	467.8 LB	386.9 LB
30"			68.2 PSF	53.9 PSF	68.2 PSF	53.8 PSF	56.8 PSF	44.9 PSF	56.8 PSF	44.9 PSF	45.5 PSF	35.9 PSF	45.5 PSF	35.9 PSF	34.1 PSF	26.9 PSF	34.1 PSF	26.9 PSF	246.90 LB-FT	149.3 LB	424.0 LB	381.6 LB
36"			58.6 PSF	46.2 PSF	58.6 PSF	46.2 PSF	48.8 PSF	38.5 PSF	48.8 PSF	38.5 PSF	39.0 PSF	30.8 PSF	39.0 PSF	30.8 PSF	29.3 PSF	23.1 PSF	29.3 PSF	23.1 PSF	246.90 LB-FT	128.1 LB	394.4 LB	378.7 LB
18"	42"	5040 in ²	78.2 PSF	61.7 PSF	71.9 PSF	56.8 PSF	65.2 PSF	51.4 PSF	60.0 PSF	47.3 PSF	52.1 PSF	41.1 PSF	48.0 PSF	37.9 PSF	39.1 PSF	30.8 PSF	36.1 PSF	28.5 PSF	246.90 LB-FT	228.2 LB	568.3 LB	426.2 LB
24"			61.6 PSF	48.6 PSF	59.4 PSF	46.9 PSF	51.3 PSF	40.5 PSF	49.5 PSF	39.1 PSF	41.1 PSF	32.4 PSF	39.8 PSF	31.3 PSF	30.8 PSF	24.3 PSF	29.8 PSF	23.5 PSF	246.90 LB-FT	179.8 LB	490.3 LB	409.4 LB
30"			51.2 PSF	40.4 PSF	50.8 PSF	40.1 PSF	42.6 PSF	33.6 PSF	42.4 PSF	33.4 PSF	34.1 PSF	26.9 PSF	33.9 PSF	26.8 PSF	25.6 PSF	20.2 PSF	25.5 PSF	20.1 PSF	246.90 LB-FT	149.3 LB	442.6 LB	400.2 LB
36"			43.9 PSF	34.6 PSF	43.9 PSF	34.6 PSF	36.6 PSF	28.9 PSF	36.6 PSF	28.9 PSF	29.3 PSF	23.1 PSF	29.3 PSF	23.1 PSF	21.9 PSF	17.3 PSF	21.9 PSF	17.3 PSF	246.90 LB-FT	128.1 LB	410.4 LB	394.7 LB
18"	48"	6912 in ²	57.0 PSF	45.0 PSF	52.0 PSF	41.1 PSF	47.5 PSF	37.5 PSF	43.4 PSF	34.0 PSF	38.0 PSF	30.0 PSF	34.7 PSF	27.4 PSF	28.5 PSF	22.5 PSF	26.1 PSF	20.6 PSF	246.90 LB-FT	228.2 LB	596.8 LB	454.8 LB
24"			44.9 PSF	35.4 PSF	43.0 PSF	33.9 PSF	37.4 PSF	29.5 PSF	35.9 PSF	28.3 PSF	29.9 PSF	23.6 PSF	28.7 PSF	22.6 PSF	22.4 PSF	17.7 PSF	21.6 PSF	17.0 PSF	246.90 LB-FT	179.8 LB	512.8 LB	431.9 LB
30"			37.3 PSF	29.4 PSF	36.8 PSF	29.1 PSF	31.1 PSF	24.5 PSF	30.7 PSF	24.2 PSF	24.8 PSF	19.6 PSF	24.6 PSF	19.4 PSF	18.2 PSF	14.3 PSF	18.2 PSF	14.3 PSF	246.90 LB-FT	149.3 LB	461.3 LB	385.2 LB
36"			32.0 PSF	25.3 PSF	32.0 PSF	25.3 PSF	26.7 PSF	21.0 PSF	26.7 PSF	21.0 PSF	21.4 PSF	16.8 PSF	21.3 PSF	16.8 PSF	16.8 PSF	12.1 PSF	16.8 PSF	12.1 PSF	246.90 LB-FT	128.1 LB	426.4 LB	377.0 LB

48" STAND DEPTH: MAX FACE AREA (1104in² - 4608in²), FRAME QUANTITY (2-5 FRAMES)

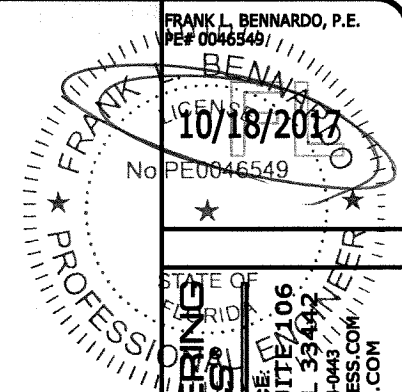
STAND CLEAR HEIGHT	MAX MEAN UNIT HEIGHT	MAX FACE AREA	UNIT TO FRAME RATIO												LOAD TRANSFER INFORMATION FOR USE WITH HOST STRUCTURE VERIFICATION ONLY							
			MAX FACE AREA : 5 FRAMES				MAX FACE AREA : 4 FRAMES				MAX FACE AREA : 3 FRAMES				MAX FACE AREA : 2 FRAMES				MAX. BASE MOMENT (M)	MAX. BASE SHEAR (V)	MAX. BASE UPLIFT (T)	MAX. BASE GRAVITY (C)
			ANCHOR TYPE: 1 OR 4		ANCHORS TYPE: 2 OR 3		ANCHOR TYPE: 1 OR 4		ANCHORS TYPE: 2 OR 3		ANCHOR TYPE: 1 OR 4		ANCHORS TYPE: 2 OR 3		ANCHOR TYPE: 1 OR 4		ANCHORS TYPE: 2 OR 3					
MAX ALLOWABLE LATERAL LOAD	MAX ALLOWABLE UPLIFT	MAX ALLOWABLE LATERAL LOAD	MAX ALLOWABLE UPLIFT	MAX ALLOWABLE LATERAL LOAD	MAX ALLOWABLE UPLIFT	MAX ALLOWABLE LATERAL LOAD	MAX ALLOWABLE UPLIFT	MAX ALLOWABLE LATERAL LOAD	MAX ALLOWABLE UPLIFT	MAX ALLOWABLE LATERAL LOAD	MAX ALLOWABLE UPLIFT	MAX ALLOWABLE LATERAL LOAD	MAX ALLOWABLE UPLIFT	MAX ALLOWABLE LATERAL LOAD	MAX ALLOWABLE UPLIFT	MAX ALLOWABLE LATERAL LOAD	MAX ALLOWABLE UPLIFT					
18"	24"	1104 in ²	200.0 PSF	157.8 PSF	200.0 PSF	157.8 PSF	200.0 PSF	157.														

"FIXED HD" STAND DESIGN SCHEDULE CONTINUED

STAND CLEAR HEIGHT	MAX MEAN UNIT HEIGHT	MAX FACE AREA	UNIT TO FRAME RATIO								LOAD TRANSFER INFORMATION FOR USE WITH HOST STRUCTURE VERIFICATION ONLY					
			MAX FACE AREA : 3 FRAMES				MAX FACE AREA : 2 FRAMES				MAX. BASE MOMENT (M)	MAX. BASE SHEAR (V)	MAX. BASE UPLIFT (T)	MAX. BASE GRAVITY (C)		
			ANCHOR TYPE: 1 OR 4		ANCHOR TYPE: 2 OR 3		ANCHOR TYPE: 1 OR 4		ANCHOR TYPE: 2 OR 3							
			MAX ALLOWABLE LATERAL LOAD	MAX ALLOWABLE UPLIFT	MAX ALLOWABLE LATERAL LOAD	MAX ALLOWABLE UPLIFT	MAX ALLOWABLE LATERAL LOAD	MAX ALLOWABLE UPLIFT	MAX ALLOWABLE LATERAL LOAD	MAX ALLOWABLE UPLIFT						
18"	24"	552 in ²	200.0 PSF	157.8 PSF	200.0 PSF	157.8 PSF	200.0 PSF	157.8 PSF	187.6 PSF	148.1 PSF	184.4 PSF	145.6 PSF	207.30 LB-FT	191.6 LB	403.6 LB	240.2 LB
24"			200.0 PSF	157.8 PSF	200.0 PSF	157.8 PSF	200.0 PSF	157.8 PSF	187.6 PSF	148.1 PSF	184.4 PSF	145.6 PSF	246.90 LB-FT	179.8 LB	422.9 LB	274.5 LB
30"			200.0 PSF	157.8 PSF	200.0 PSF	157.8 PSF	200.0 PSF	157.8 PSF	155.8 PSF	123.0 PSF	155.8 PSF	123.0 PSF	246.90 LB-FT	149.3 LB	386.6 LB	276.7 LB
18"	30"	690 in ²	200.0 PSF	157.8 PSF	200.0 PSF	157.8 PSF	190.5 PSF	150.4 PSF	178.1 PSF	108.7 PSF	108.7 PSF	85.8 PSF	246.90 LB-FT	228.2 LB	511.2 LB	301.7 LB
24"			156.4 PSF	123.5 PSF	156.4 PSF	123.5 PSF	111.3 PSF	87.9 PSF	108.7 PSF	87.9 PSF	87.9 PSF	85.8 PSF	246.90 LB-FT	179.8 LB	445.3 LB	296.9 LB
30"			138.7 PSF	109.5 PSF	138.7 PSF	109.5 PSF	92.5 PSF	73.0 PSF	92.5 PSF	73.0 PSF	73.0 PSF	73.0 PSF	246.90 LB-FT	149.3 LB	409.1 LB	295.4 LB
36"			119.0 PSF	94.0 PSF	119.0 PSF	94.0 PSF	79.3 PSF	62.6 PSF	79.3 PSF	62.6 PSF	62.6 PSF	62.6 PSF	246.90 LB-FT	128.1 LB	382.1 LB	295.2 LB
18"	36"	1116 in ²	130.4 PSF	139.4 PSF	130.4 PSF	129.2 PSF	117.7 PSF	92.9 PSF	109.2 PSF	86.2 PSF	86.2 PSF	86.2 PSF	246.90 LB-FT	228.2 LB	543.5 LB	330.2 LB
24"			115.4 PSF	97.3 PSF	115.4 PSF	94.3 PSF	82.2 PSF	64.8 PSF	79.7 PSF	62.9 PSF	62.9 PSF	62.9 PSF	246.90 LB-FT	179.8 LB	471.6 LB	319.4 LB
30"			102.4 PSF	80.8 PSF	102.1 PSF	80.6 PSF	68.2 PSF	53.9 PSF	68.2 PSF	53.8 PSF	53.8 PSF	53.8 PSF	246.90 LB-FT	149.3 LB	427.7 LB	314.1 LB
36"			87.9 PSF	69.3 PSF	87.9 PSF	69.3 PSF	58.6 PSF	46.2 PSF	58.6 PSF	46.2 PSF	46.2 PSF	46.2 PSF	246.90 LB-FT	128.1 LB	398.1 LB	311.2 LB
18"	42"	1470 in ²	98.9 PSF	105.9 PSF	98.9 PSF	97.3 PSF	89.4 PSF	70.6 PSF	82.2 PSF	64.9 PSF	64.9 PSF	64.9 PSF	246.90 LB-FT	228.2 LB	572.0 LB	358.7 LB
24"			86.6 PSF	73.0 PSF	86.6 PSF	70.2 PSF	61.6 PSF	48.6 PSF	59.4 PSF	46.9 PSF	46.9 PSF	46.9 PSF	246.90 LB-FT	179.8 LB	494.0 LB	341.9 LB
30"			76.8 PSF	60.6 PSF	76.2 PSF	60.1 PSF	51.2 PSF	40.4 PSF	50.8 PSF	40.1 PSF	40.1 PSF	40.1 PSF	246.90 LB-FT	149.3 LB	446.4 LB	332.7 LB
36"			65.9 PSF	52.0 PSF	65.9 PSF	52.0 PSF	43.9 PSF	34.6 PSF	43.9 PSF	34.6 PSF	34.6 PSF	34.6 PSF	246.90 LB-FT	128.1 LB	414.1 LB	327.2 LB
18"	48"	1920 in ²	75.7 PSF	59.8 PSF	75.7 PSF	59.8 PSF	68.4 PSF	54.0 PSF	62.5 PSF	49.3 PSF	49.3 PSF	49.3 PSF	246.90 LB-FT	228.2 LB	596.8 LB	387.3 LB
24"			63.1 PSF	49.8 PSF	63.1 PSF	49.8 PSF	44.9 PSF	35.4 PSF	43.0 PSF	33.9 PSF	33.9 PSF	33.9 PSF	246.90 LB-FT	179.8 LB	512.8 LB	364.4 LB
30"			56.0 PSF	44.2 PSF	55.2 PSF	43.6 PSF	37.3 PSF	29.4 PSF	36.8 PSF	29.1 PSF	29.1 PSF	29.1 PSF	246.90 LB-FT	149.3 LB	465.1 LB	351.4 LB
36"			48.0 PSF	37.9 PSF	48.0 PSF	37.9 PSF	32.0 PSF	25.3 PSF	32.0 PSF	25.3 PSF	25.3 PSF	25.3 PSF	246.90 LB-FT	128.1 LB	430.1 LB	343.2 LB

DESIGN SCHEDULE NOTES:

1. MAXIMUM CALCULATED FACE AREA SHALL BE EQUAL TO OR LESS THAN THE MAXIMUM ALLOWABLE FACE AREA FOR EACH CONFIGURATION.
2. REFERENCE ANCHOR SCHEDULE FOR ANCHOR TYPES LISTED HEREIN.



ENGINEERING EXPRESS
 CORPORATE OFFICE: 1101 W. PALM BLVD., SUITE 1106
 DEERFIELD BEACH, FL 33442
 P: (954) 354-0660 F: (954) 354-0443
 E: HELLO@ENGINEERINGEXPRESS.COM
 ENGINEERINGEXPRESS.COM
 CERT OF AUTH #9885

PRECISION ALUMINUM PRODUCTS, INC.
 1339 SW 1ST WAY
 DEERFIELD BEACH, FL 33441
 PH: (954)-480-6919
 ALUMINUM A/C STANDS HVHZ & NON-HVHZ APPLICATIONS
 FLORIDA BUILDING CODE SIXTH EDITION (2017)
 PRODUCT APPROVAL FL#16921.1

REMARKS	DRWN	CHKD	DATE
INT ISSUE	TSB	FLB	07-08-08
REV 2010 FBC	CSL	TSB	05-11-12
REV FBC 5TH (2014)	CSL	CSL	06-15-15
REV FBC 6TH (2017)	LAO	FLB	08-02-17

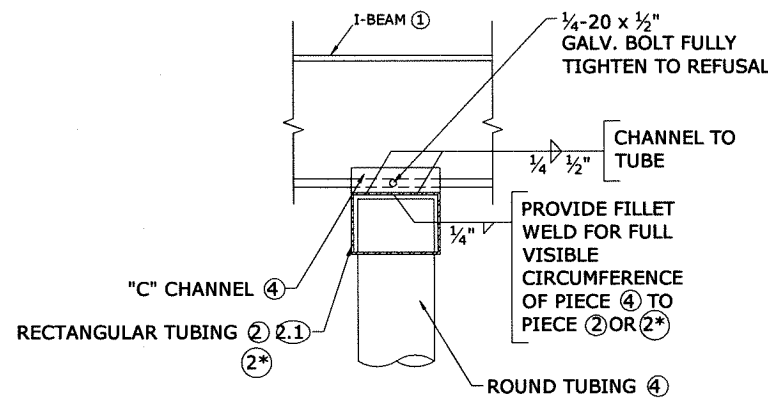
THIS DOCUMENT IS THE PROPERTY OF ENGINEERING EXPRESS AND SHALL NOT BE REPRODUCED IN WHOLE OR PART WITHOUT WRITTEN CONSENT OF ENGINEERING EXPRESS. ALTERATIONS, ADDITIONS, OR OTHER MARKINGS TO THIS DOCUMENT ARE NOT PERMITTED AND INVALIDATE OUR CERTIFICATION.

COPYRIGHT ENGINEERING EXPRESS®

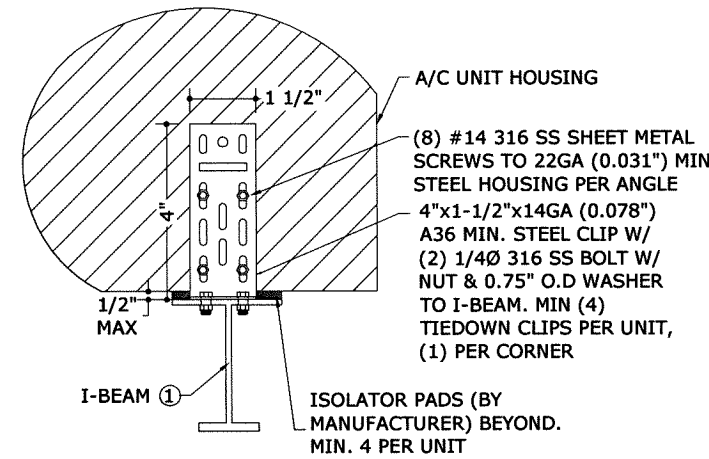
15-2480

SCALE: 15 OF 16

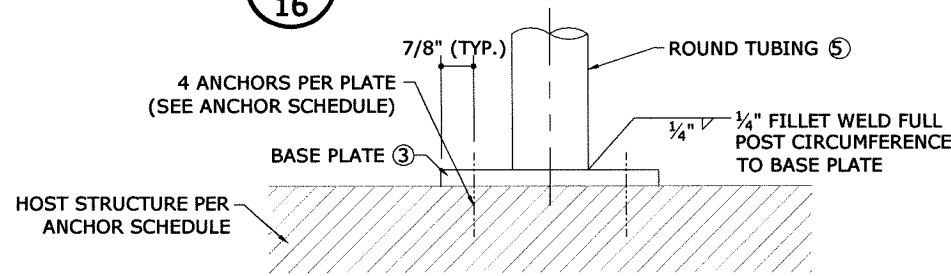
FRAME ASSEMBLY & UNIT TIE-DOWN DETAILS:



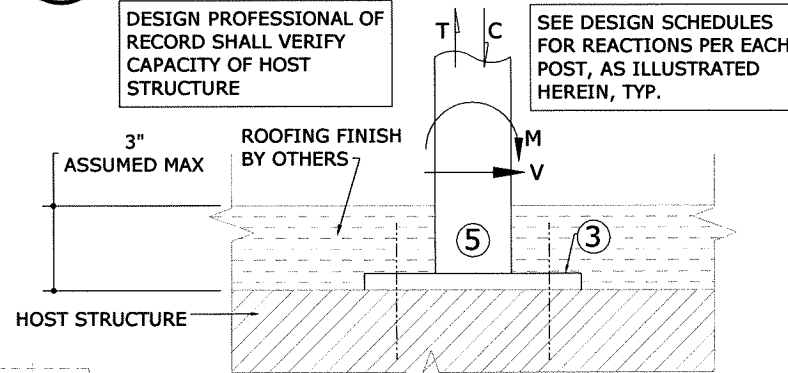
1
16 FRAME ASSEMBLY DETAIL



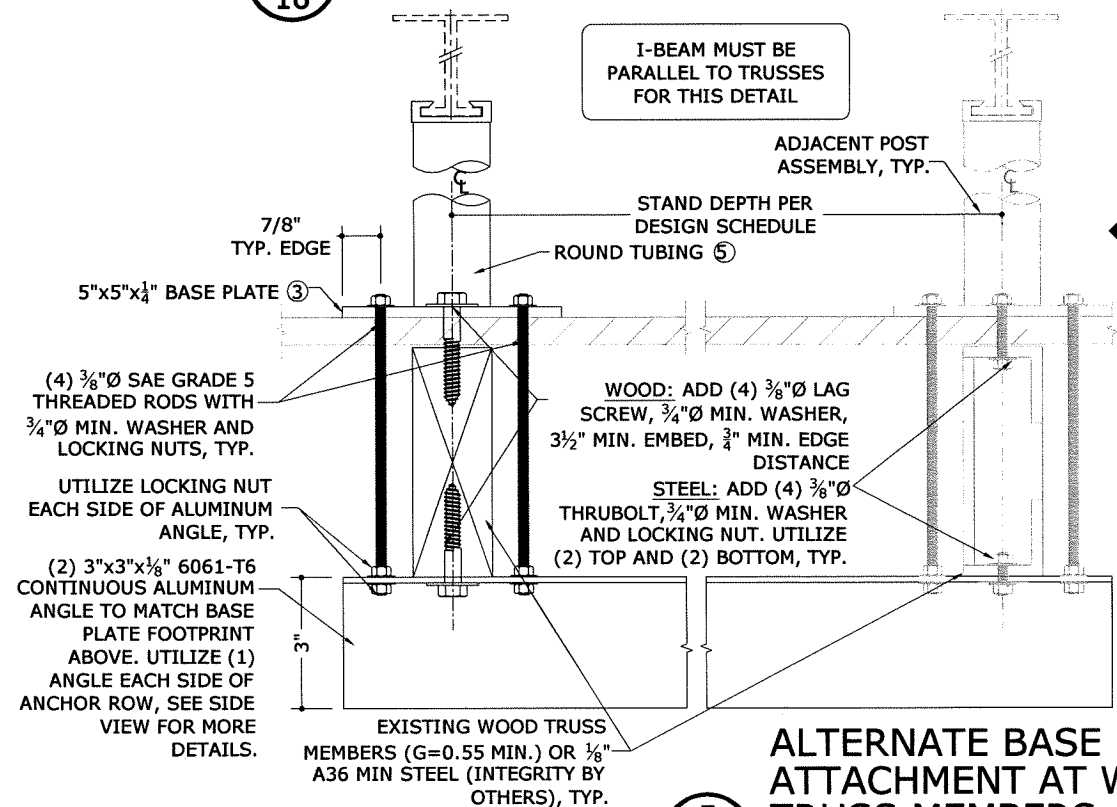
2
16 A/C UNIT TIE-DOWN DETAIL



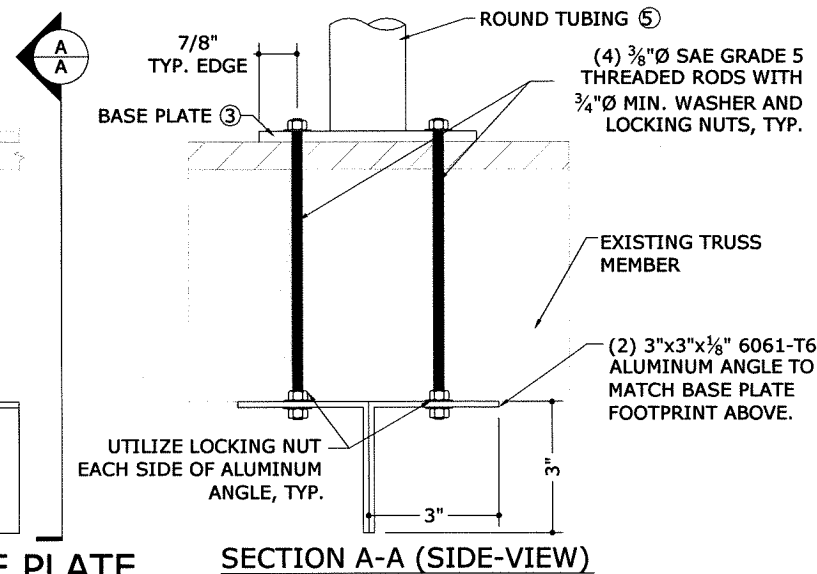
3
16 BASE PLATE DETAIL



4
16 BASEPLATE REACTIONS
FOR ILLUSTRATIVE PURPOSES ONLY



5
16 ALTERNATE BASE PLATE ATTACHMENT AT WOOD/STEEL TRUSS MEMBERS
FOR USE AS AN ALTERNATE ATTACHMENT METHOD FOR ALL ANCHOR TYPES ON DESIGN SCHEDULE TABLES. SITE SPECIFIC DESIGN RECOMMENDED.



SECTION A-A (SIDE-VIEW)

ANCHOR SCHEDULE

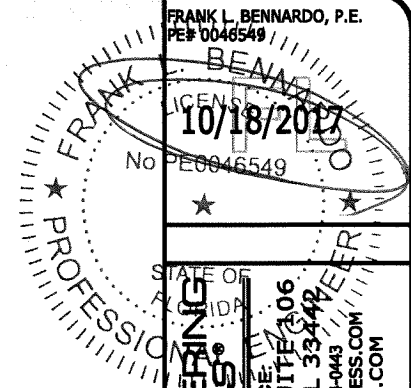
FOR USE WITH DETAIL 3 ON THIS SHEET ONLY

ANCHOR TYPE	HOST STRUCTURE	ANCHOR DESCRIPTION
1	STEEL	(4) 3/8"Ø SAE GRADE 2 GALVANIZED BOLTS W/ NUT & 3/4"Ø MIN. WASHER, TO STRUCTURAL A36 STEEL MEMBERS (3/16" MIN HOST THICKNESS)
2	CONCRETE	(4) 1/4"Ø POWERS WEDGE-BOLT CONCRETE ANCHORS OR EQUIVALENT WITH 5/8"Ø MIN. WASHER, 2-1/2" EMBEDMENT & 3" MIN EDGE DISTANCE, 2-1/4" SPACING PER "STD" BASE PLATE, 3-1/4" SPACING PER "HD" BASEPLATE, 4-1/4" SPACING PER "XHD" BASE PLATE.
3	WOOD	USE DETAIL 5/6. USE DETAIL 3/6 FOR GROUND MOUNT ONLY WHEN APPROVED BY EOR/BUILDING OFFICIAL (SEE NOTES BELOW)
4	STEEL	(4) 5/16" SAE GRADE 5 SHEET METAL SCREWS WITH 5/8"Ø MIN. WASHER TO STRUCTURAL A36 STEEL MEMBERS (3/16" MIN HOST THICKNESS)

ANCHOR NOTES:

IT IS UP TO THE INSTALLER TO ENSURE THAT THE HOST STRUCTURE IS SOLID AND CREATES A FIXED CONNECTION WITH THE AC STAND IN THAT ROTATION IS STRICTLY PREVENTED. IF THIS IS AT ALL IN QUESTION, THE BUILDING OFFICIAL SHALL REQUIRE A SITE SPECIFIC EVALUATION TO ENSURE STAND STABILITY

- ANCHORS SHALL BE INSTALLED IN ACCORDANCE WITH MANUFACTURERS' RECOMMENDATIONS.
- ENSURE MINIMUM EDGE DISTANCE AS NOTED IN ANCHOR SCHEDULE FOR EACH ANCHOR.
- ALL CONCRETE SUBSTRATE SHALL HAVE MINIMUM COMPRESSIVE STRENGTH OF 3000 PSI. CONCRETE SUBSTRATE THICKNESS SHALL BE GREATER THAN OR EQUAL TO 1.5xANCHOR EMBEDMENT. INSTALL CONCRETE ANCHORS TO UN-CRACKED CONCRETE ONLY.
- MINIMUM EMBEDMENT SHALL BE AS NOTED IN ANCHOR SCHEDULE. MINIMUM EMBEDMENT AND EDGE DISTANCE EXCLUDES ROOFING FINISHES.
- WHERE EXISTING STRUCTURE IS WOOD TRUSSES, EXISTING CONDITIONS MAY VARY. FIELD VERIFY THAT FASTENERS ARE INTO ADEQUATE WOOD TRUSS MEMBERS, NOT INTO PLYWOOD.



ENGINEERING EXPRESS
CORPORATE OFFICE: SUITE 306
160 SW 12TH AVE, SUITE 306
DEERFIELD BEACH, FL 33441
P: (954) 354-0660 F: (954) 354-0443
E: HELLO@ENGINEERINGEXPRESS.COM
ENGINEERINGEXPRESS.COM
CERT OF AUTH #9885

PRECISION ALUMINUM PRODUCTS, INC.
1339 SW 1ST WAY
DEERFIELD BEACH, FL 33441
PH: (954)-480-6919
ALUMINUM A/C STANDS HVHZ & NON-HVHZ APPLICATIONS
FLORIDA BUILDING CODE SIXTH EDITION (2017)
PRODUCT APPROVAL FL.#16921.1

DATE	DRWN	CHKD
07-08-09	FLB	
05-11-12	TSB	
06-15-15	CSL	
08-02-17	LAO	

REMARKS:
INIT ISSUE
REV 2010 FBC
REV FBC 5TH (2014)
REV FBC 6TH (2017)

THIS DOCUMENT IS THE PROPERTY OF ENGINEERING EXPRESS AND SHALL NOT BE REPRODUCED IN WHOLE OR PART WITHOUT WRITTEN CONSENT OF ENGINEERING EXPRESS. ALTERATIONS, ADDITIONS, OR OTHER MARKINGS TO THIS DOCUMENT ARE NOT PERMITTED AND INVALIDATE OUR CERTIFICATION.

COPYRIGHT ENGINEERING EXPRESS
15-2480
SCALE:
16