

**SPECIFICATION:**

JOSAM 49340A-LF SERIES SQUARE CAST IRON 8" DEEP SUPER-FLO-SEPTOR® FLOOR SINK WITH ACID RESISTING INTERIOR, BOTTOM OUTLET, ALUMINUM INTERNAL DOME STRAINER AND CAST IRON NON-TRAFFIC, ACID RESISTING, ANTI-TILTING GRATE.

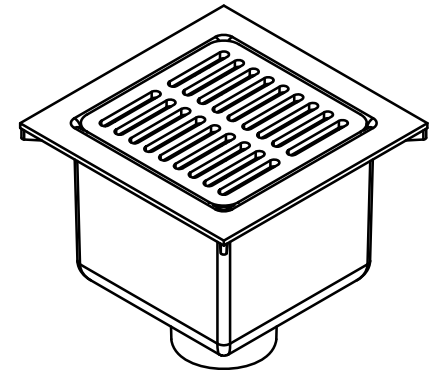
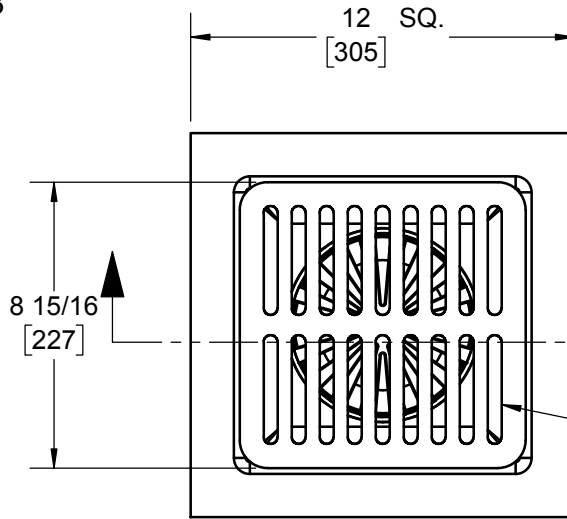
**SANITARY FLOOR SINK**

12" SQUARE TOP, 8" DEEP

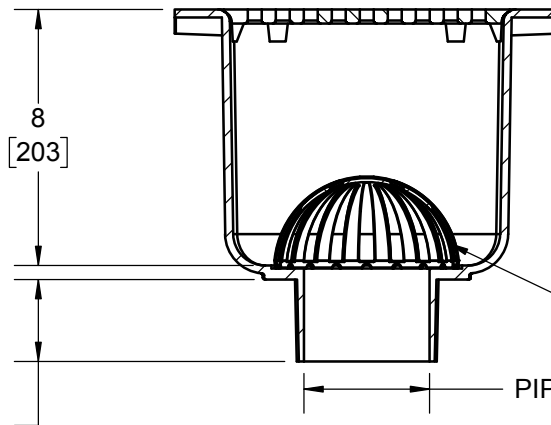
SERIES **49340A-LF**

FORMERLY 49350A SERIES

SLOT WIDTH 3/8"



GRATE FREE AREA 26 SQ. IN.



DOMESTR STRAINER

PIPE SIZE

- X (2" - 3") = 2-1/2
- X (4") = 2-3/4
- Y (2" - 4") = 2
- Z (2" - 4") = 2-1/16

| PIPE SIZE |    |
|-----------|----|
|           | 2" |
|           | 3" |
|           | 4" |

|   |     |                            |   |
|---|-----|----------------------------|---|
| Δ | X   | -LF                        | LESS FLANGE                                     |
|   |     | -NB                        | NICKEL BRONZE TRAFFIC TOP                       |
|   |     | -LG                        | LESS GRATE                                      |
|   |     | -3                         | HALF (1/2) GRATE                                |
|   |     | -4                         | THREE-QUARTER (3/4) GRATE                       |
|   |     | -5                         | NIK. EXTRA HVY-DUTY GRATE & RIM (NOT SUPER-FLO) |
|   |     | -7                         | FULL GRATE WITH 2-1/2" CENTER OPENING           |
|   |     | -8                         | STAINLESS STEEL DEPRESSED GRATE                 |
|   |     | -15                        | STAINLESS STEEL RIM & GRATE                     |
|   |     | -16                        | GRATE WITH 4" ROUND FUNNEL                      |
|   | -17 | GRATE WITH 6" ROUND FUNNEL |   |

|   |     |   |
|---|-----|---|
| * | -18 | GRATE WITH 9" x 3-1/2" OVAL FUNNEL            |
|   | -31 | SEDIMENT BUCKET, ALUMINUM                     |
|   | -33 | SEDIMENT BUCKET, ACID RESISTANT FINISH        |
|   | -35 | BUCKET LINER (STAINLESS STEEL MESH)           |
|   | -43 | INTERNAL DOME STRAINER, ACID RESISTANT FINISH |
|   | -45 | LESS INTERNAL DONE STRAINER                   |
|   | -55 | 1/2" PRIMER ADAPTER, 88450 PROVIDED           |
|   | -X  | INSIDE CAULK OUTLET                           |
|   | -Y  | HUB OUTLET WITH GASKET                        |
|   | -Z  | NO-HUB OUTLET                                 |

Δ SEPARATE SUBMITTAL FOR THIS OPTION AVAILABLE

\*MUST ALSO SPECIFY -31 OR -33 OPTION

DATE OF LAST CHANGE: 7/05/18

DIMENSIONS ARE SUBJECT TO MANUFACTURERS TOLERANCES AND CHANGE WITHOUT NOTICE. WE CAN ASSUME NO RESPONSIBILITY FOR USE OF SUPERSEDED OR VOID DATA.



MICHIGAN CITY, INDIANA

NOTES

WARNING: Cancer and Reproductive Harm - www.P65Warnings.ca.gov