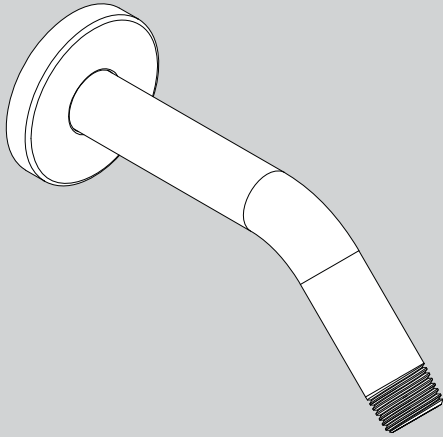


## INSTRUCTIONS FOR MODELS

# S-2510



### NEED HELP?

For additional assistance or service please contact:

**SPEAKMAN**® Company  
400 Anchor Mill Road  
New Castle, DE 19720

800-537-2107

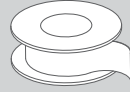
customerservice@speakman.com

www.speakman.com

92-S-2510-01

## TOOLS AND SUPPLIES

Thread Seal  
Tape



Allen Wrench  
(Included)



### IMPORTANT



Be sure to read instructions thoroughly before beginning installation. Do not overtighten any connections or damage may occur.

### SAFETY TIPS

Cover your drain to prevent loss of parts.

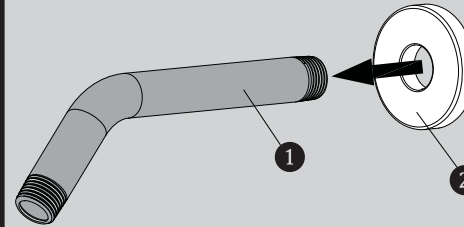
### MAINTENANCE

Your new Shower Arm is designed for years of trouble-free performance. Keep it looking new by cleaning it periodically with a soft cloth. Avoid abrasive cleaners, steel wool and harsh chemicals as these will dull the finish and void your warranty.

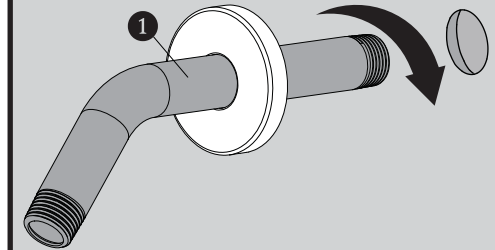
### WARRANTY

Warranty information can be found at:  
[www.speakman.com](http://www.speakman.com)

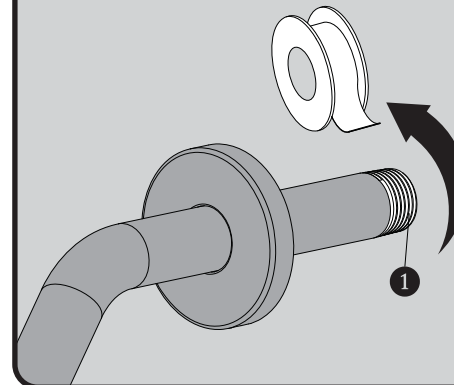
**1** Slide Escutcheon Plate (2) over the long end of the Shower Arm (1).



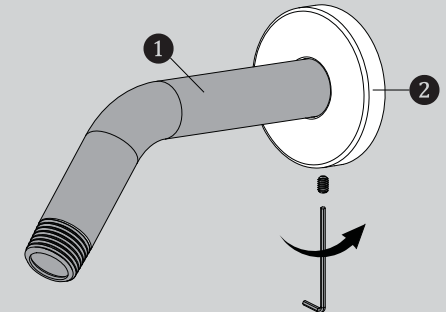
**3** Thread Shower Arm (1) into Female Pipe Fitting within the wall. Firmly tighten, and make sure Shower Arm (1) Outlet is pointing in a downward position.



**2** Apply Thread Seal Tape to inlet side of Shower Arm (1).

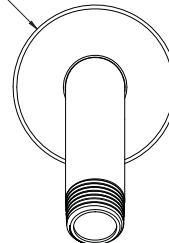


**4** Position Escutcheon Plate (2) flat against wall. Secure Escutcheon Plate (2) to Shower Arm (1) by tightening set screw with Allen Wrench (Hex: 2.0mm) provided.

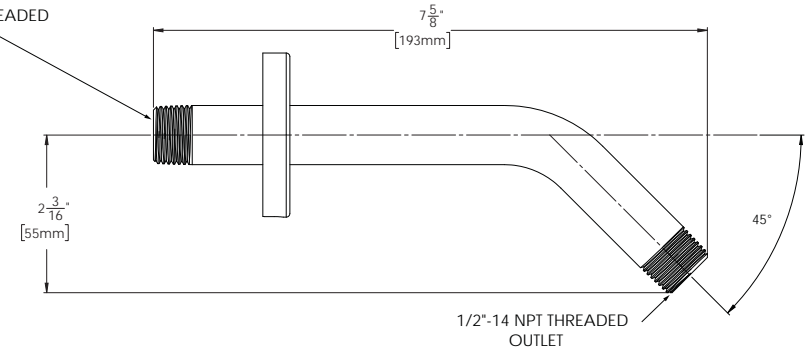


## ROUGH IN DIMENSIONS

$\phi 2\frac{1}{4}''$   
[57mm]



1/2"-14 NPT THREADED  
INLET



### Specifications:

Supply Inlet: 1/2" NPT  
Outlet: 1/2" NPT