

Location: _____



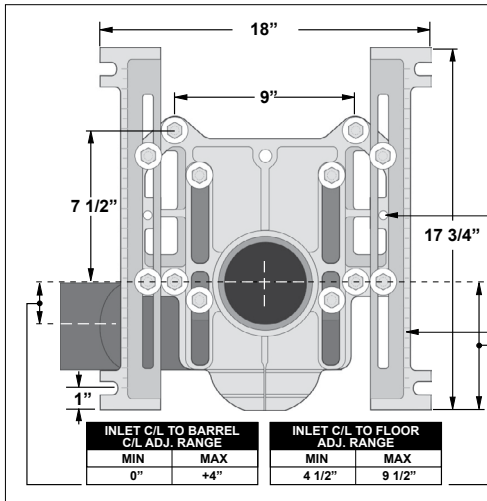
MC-10

**HORIZONTAL, ADJUSTABLE,
WATER CLOSET CARRIER**

Specification: MIFAB® Series MC-10 (Specify -L for left or -R for right design) single, horizontal, adjustable, water closet carrier with lacquered cast iron fitting, 4" (102) no hub waste, 2" (51) no hub vent connection, lacquered cast iron gasketed adjustable faceplate, universal floor mounted cast iron foot supports, adjustable 8" tapered thread ABS nipple with integral test cap, neoprene bowl gasket, hardware, threaded rod protectors, polished chrome plated finishing cap nuts and rear anchor tie down support.

Function: Used with off the floor plumbing fixtures that are wall mounted and have no contact with the finished floor. The closet carrier is completely concealed within the wall and supports the load of the fixture through a faceplate and foot support system that is anchored to the floor. Sanitation underneath the fixture is more efficiently and economically maintained when installed off of the floor compared to floor mounted.

Note: 10 1/2" (267) minimum space required between front of foot and rear of anchor support. 8" (203) minimum in wall space required between back of rear anchor support and back of in wall foot supports. **Note:** Foot supports and faceplate are assembled at the factory before shipment in the typical siphon jet water closet configuration and are reversible for the blowout water closet design.



**MC-10,12,13
UNIVERSAL
FACEPLATE ASSEMBLY**

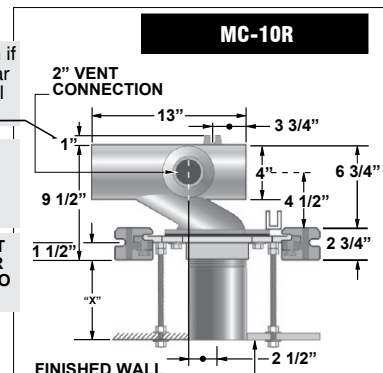
MC-10 Series Meets ANSI/ASME
fixture carrier standard
A112.6.1M-97 500 Lb. Load Rating
with rear anchor support.

Note: Add 1" (25) to dimension if
option (-3) is specified, rear
anchor support for drywall
construction

**FOOT SUPPORTS SHOULD BE
SECURELY ANCHORED TO FLOOR
WITH 1/2" (13) BOLTS AND
ANCHORS BY OTHERS. ONLY 1
BOLT IS REQUIRED PER FOOT.**

1/2" TAPPING FOR STRUT
MOUNTED FLUSH VALVE WATER
SUPPLY INCORPORATED INTO
BACK OF CARRIER FACEPLATE

Note: 8" tapered thread ABS nipple shipped
standard with MC-10 Series carriers. The
universal faceplate assembly accepts all
nipple variations, rolling thread (-OR), cast
iron (-CI) and tapered thread ABS with
adjustable horn (-AH).



MC-10R

2" VENT
CONNECTION

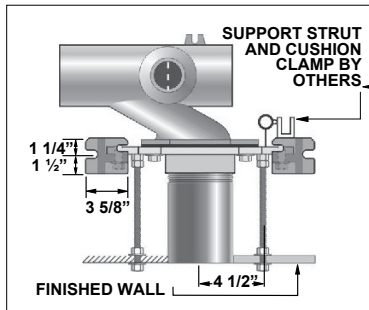
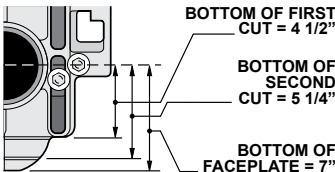
FINISHED WALL

"X"=4" MIN TO 6-1/4" MAX
WALL THICKNESS WITH STANDARD
NIPPLE. MIN OF 5/8" POSSIBLE
WITH SHORTENED NIPPLE

Note: right hand version
illustrated, left hand is mirror
image

Note: Rear anchor support is included
with every Left and Right carrier.

**BREAKAWAY TABS
CENTERLINE OF NIPPLE TO FLOOR**



SUPPORT STRUT
AND CUSHION
CLAMP BY
OTHERS

FINISHED WALL

SUFFIX	OPTIONAL VARIATIONS
-AH8	8" ABS nipple with adjustable horn
-AH12	12" ABS nipple with adjustable horn
-BA	Buy American Act compliant product
-CI-4	4" rolling thread cast iron nipple
-CI-6	6" rolling thread cast iron nipple
-CI-8	8" rolling thread cast iron nipple
-CI-12	12" rolling thread cast iron nipple
-CI-24	24" rolling thread cast iron nipple
-FM	Floor mount, back outlet fixture support
-HD-750	750 lb. rated heavy duty
-HDX	1,000 lb. rated extra heavy duty
-HS	Hub and spigot connection
-L	Left hand fitting
-OR8	8" rolling thread ABS nipple

-OR12	12" rolling thread ABS nipple
-PA	Pennsylvania Steel Act compliant product
-PFAB	Prefabricated carrier
-R	Right hand fitting
-01	Neoprene bowl gasket
-1	Finishing / Tiling frame
-10	Auxiliary support, recommended with nipple lengths over 12"
-12	12" tapered thread ABS nipple
-13	All galvanized
-14	Vandal proof finish trim
-17	Test plug for custom cast iron nipples
-19	Nipple wrench
-20	Flush valve support
-22	Less fitting

CALIFORNIA PROPOSITION 65 WARNING. This product contains chemicals known to the State of California to cause cancer and birth defects or other reproductive harm.

Job Name: _____

Page No: _____

Section No: _____

Contractor: _____

Schedule No: _____

Purchase Order No: _____