



BOTTLE FILLER

BF158 Series

REFRIGERATED SURFACE
MOUNT PUSHBUTTON OPERATED
BOTTLE FILLER

STANDARD FEATURES

- 100-Mesh Inlet Strainer
- Laminar Flow Water Supply
- 1 GPM Fill Rate
- Lead Free
- Fold Down Housing for easy Maintenance Access
- Meets ADA Forward and Side Reach Requirements
- Mounting Frame
- Back Panel and Louvered Grille

SUGGESTED SPECIFICATIONS

Model BF158 is a Refrigerated Surface Mount Pushbutton operated Bottle Filler that shall deliver a minimum of 8.0 GPH (30.3 LPH) of water at 50°F (10°C) cooled from 80°F (26.7°C) inlet water and 90°F (32.2°C) ambient. Bottle Filling unit shall include Pushbutton operated activation. Cooling system shall use R-134a refrigerant and be capillary tube regulated. An adjustable thermostat with an off position shall regulate the refrigeration system. Optional Water Filter has NSF/ANSI 42 & 53 certification and reduces lead content in the drinking water by 99%. Bottle Filler shall provide approximately 1 GPM flow rate with a Laminar Flow Spout to minimize splashing. Housing has a slim and trim look that blends into your environment. Designed for Maintenance Advantage installation and service. When installed properly, the Bottle Filler complies with ADA forward and side reach requirements. Bottle Filler is fabricated of type 304 stainless steel polished to a satin finish with antimicrobial impact resistant ABS surfaces. Unit is complaint to the Air Conditioning and Refrigeration Institute Standard 1010 and is certified to ANSI A117.1, Public Law 111-380 (NO-LEAD), CHSC 116875 and NSF/ANSI 61, Section 9.

H₂O
to go!



Model BF158 Shown
**U.S. PATENT D876,890 S

MODEL:

(Must Specify)

- BF158 Refrigerated Surface Mounted Pushbutton Operated Bottle Filler

OPTIONS

(additional costs may be incurred)

- LOGO Customer Specified Logo / Graphics
- WF1 1500-gallon capacity, NSF 42+53, 1 micron Lead Reduction Water Filter
- WF3 3000-gallon capacity, NSF 42+53, 1 micron Lead Reduction Water Filters

Complies with the following standards:



Member of
U.S. Green
Building
Council



Recyclable
Product



Water
Conserving
Product

WARNING: Cancer and Reproductive Harm - www.P65Warnings.ca.gov

MURDOCK MFG. • 15125 Proctor Avenue • City of Industry, CA 91746 USA
Phone 800-453-7465 or 626-333-2543 • Fax 626-855-4860 • www.murdockmfg.com

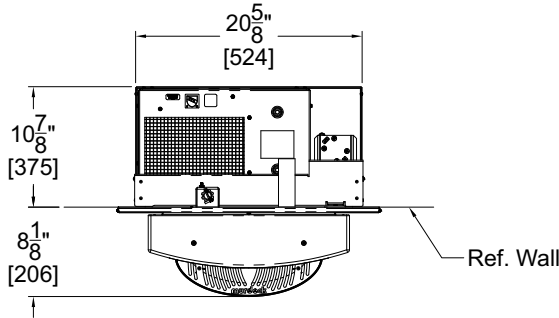
Member of
MORRIS GROUP
INTERNATIONAL



BOTTLE FILLER

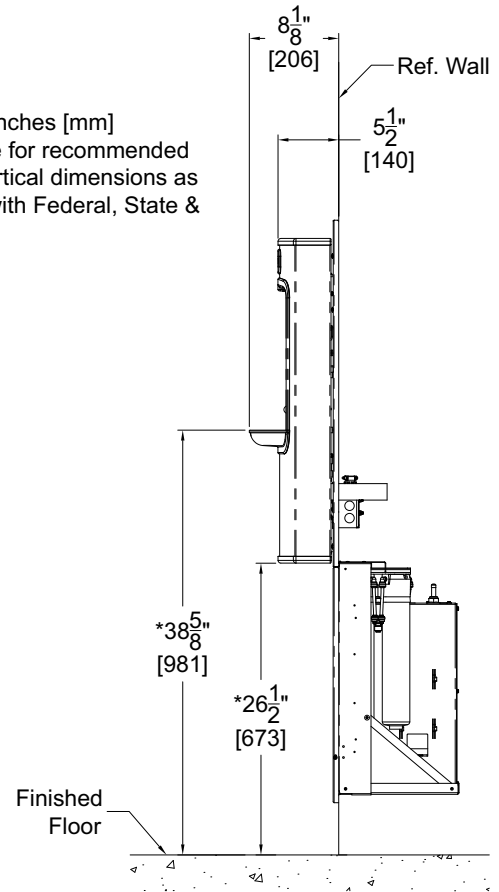
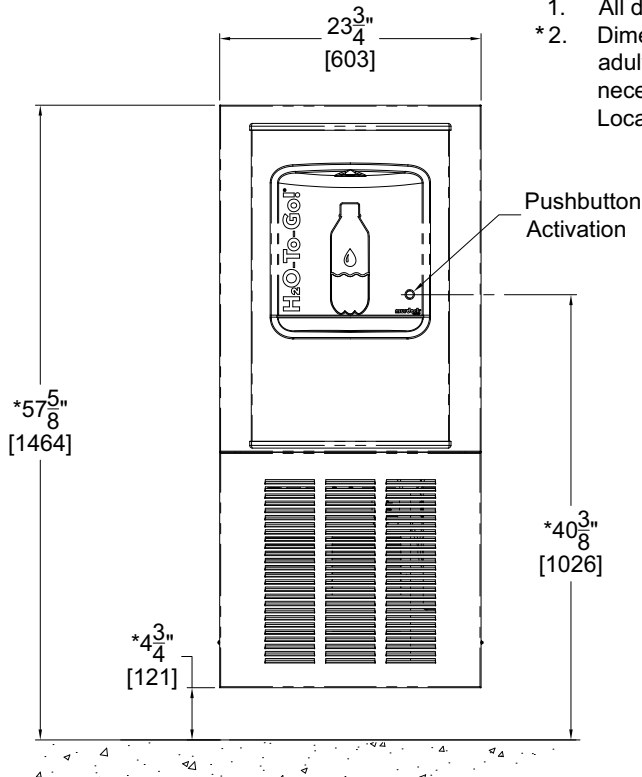
BF158 Series

REFRIGERATED SURFACE MOUNT PUSHBUTTON OPERATED BOTTLE FILLER



General Notes:

1. All dimensions are in inches [mm]
- *2. Dimensions shown are for recommended adult height. Adjust vertical dimensions as necessary to comply with Federal, State & Local Codes



Murdock Mfg.™ warrants that its products are free from defects in material or workmanship under normal use and service for a period of 18 months from date of shipment. The sealed refrigeration system is warranted for five years. Murdock's liability under this warranty shall be discharged solely by replacement or repair of defective material, provided Murdock™ is notified in writing within one year from date of shipment, F.O.B. Industry, California.

SELECTION SUMMARY & APPROVAL FOR MANUFACTURING

Model Number & Options _____ Quantity _____

Company _____

Contact _____ Title _____

Signature (Approval for Manufacturing) _____ Date _____

All dimensions are subject to manufactures tolerance of plus or minus 1/2" nominal and subject to change without notice. Murdock assumes no responsibility for use of void or superseded data. Dimensions may change with the addition of optional accessories. Murdock Mfg.™, Member of Morris Group International™. Please visit www.murdockmfg.com for most current specifications.