

## Rainier™ Shower Combination

### FEATURES:

- Rainier Shower Head S-3018
- Arm and Flange S-2550
- Rainier Pressure Balance Valve and Trim SM-8000-P
- Rainier Diverter Tub Spout S-1564
- 2.5 gpm (9.5 L/min) flow rate

### FINISH:



PC

### COMPLIANCE:

- ASME A112.18.1/CSA B125.1 certified

### MODELS:

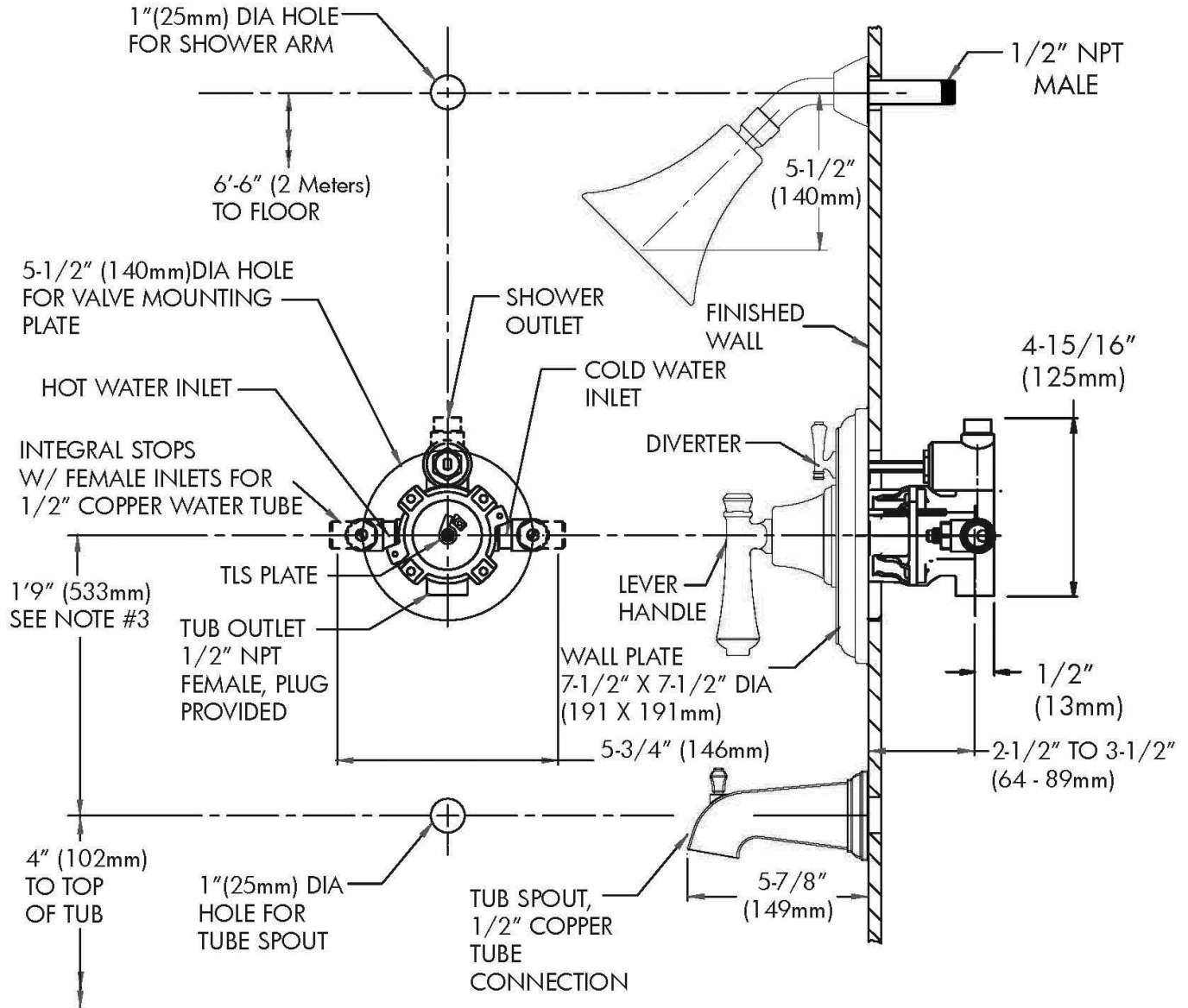
- ❑ SM-8030-P: with S-1564 diverter tub spout
- ❑ SM-8010-P: without S-1564 diverter tub spout

### WARRANTY:

- Limited Lifetime Warranty (shower head consumer use)
- 1 Year Limited



**DIMENSIONS:** NOTE: 1. All dimensions are in inches (millimeters) unless otherwise specified and are subject to change without notice. 2. Unless otherwise specified, all inlets and outlets are 1/2" female copper sweat. 3. For ADA mounting locations, consult ADAAG, ANSI A117.1, or static regulations. Contractor pack valves & trim kits available.



Architect/Engineer Approval Space:

SPEAKMAN  
400 ANCHOR MILL ROAD  
NEW CASTLE, DE 19720

P: 800-537-2107  
F: 800-977-2747  
W: WWW.SPEAKMAN.COM  
R: OCTOBER 2017