

Location: _____

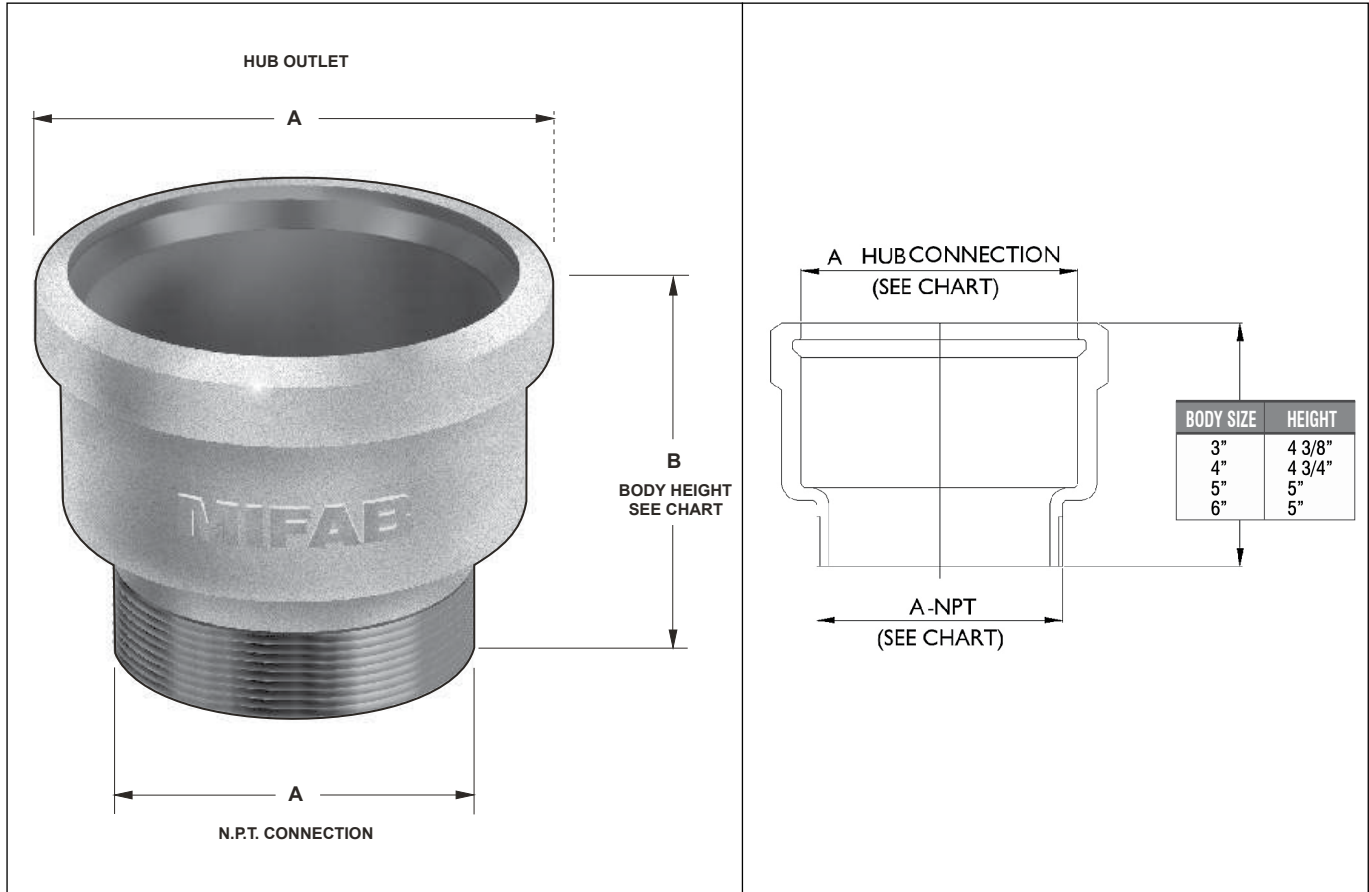


MI-830

CAST IRON MALE THREADED TO HUB ADAPTER

Specification: MIFAB® Series MI-830 lacquered cast iron hub adaptor with N.P.T. threaded connection at one end and hub connection at the other.

Function: Used to convert a female threaded connection to a hub connection for caulking.



MODEL NO.	"A" PIPE SIZE	"B" BODY HEIGHT
MI-830-3	3" (76)	4 3/8" (111)
MI-830-4	4" (102)	4 3/4" (121)
MI-830-5	5" (127)	5" (127)
MI-830-6	6" (152)	5" (127)

SUFFIX	OPTIONAL VARIATIONS
-6	Set of 3 security screws mounted at top
-11	Acid resistant epoxy coated
-13	Galvanized cast iron parts
-BA	Buy American Act compliant product
-PA	Pennsylvania Steel Act compliant product

CALIFORNIA PROPOSITION 65 WARNING. This product contains chemicals known to the State of California to cause cancer and birth defects or other reproductive harm.

Job Name: _____ Page No: _____
 Section No: _____ Contractor: _____
 Schedule No: _____ Purchase Order No: _____