



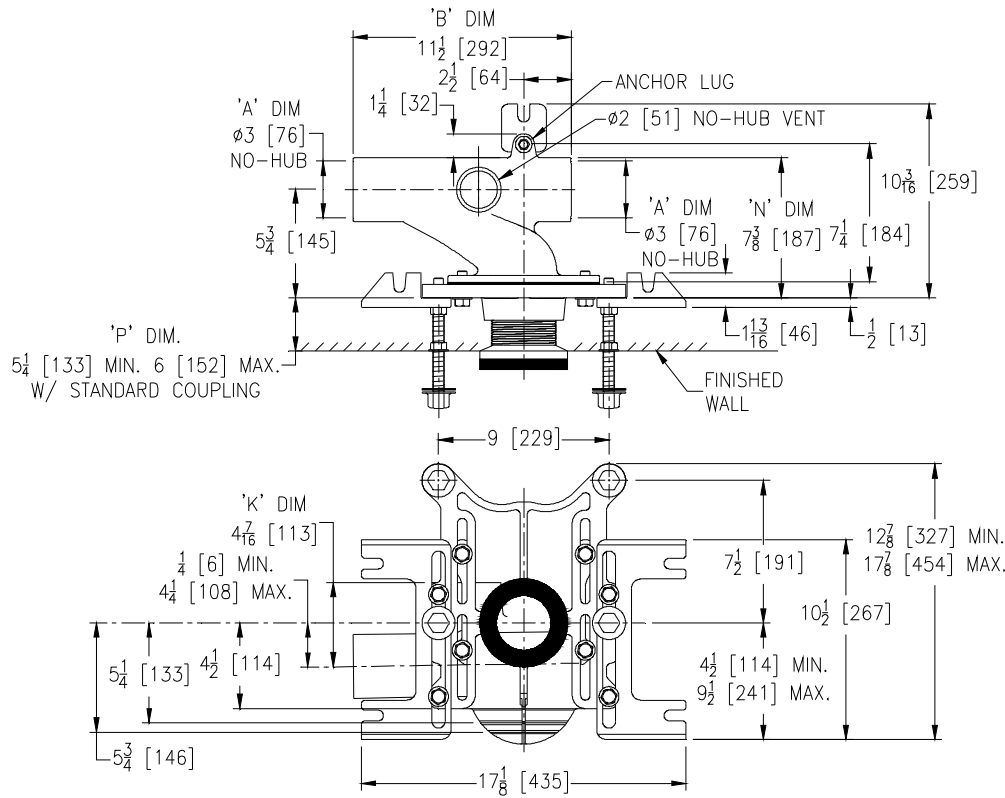
# Z1201-N\_3

## EZCARRY® ADJUSTABLE HORIZONTAL HIGH PERFORMANCE SIPHON JET NO-HUB WATER CLOSET CARRIER SYSTEM

SPECIFICATION SHEET

TAG \_\_\_\_\_

Dimensional Data (inches and [mm]) are Subject to Manufacturing Tolerances and Change Without Notice



Product Number	Approx. Wt. lbs [kg]
Z1201-NL3	47 [21]
Z1201-NR3	47 [21]

**Note:**

- Z coupling, Min. 'P' Dim. Obtainable=2 [51]. EZ-Set™ Coupling, Min. 'P' Dim. Obtainable=4-1/4 [108] or 2-1/16 [52] for 12 [305] NPT.
- Feet bolted to floor using min. 1/2 [13] dia. anchors.
- Rear anchor foot required for secure installation.

Z1201-NR3 Illustrated

**ENGINEERING SPECIFICATION: ZURN Z1201-N\_3**

EZCarry® horizontal siphon jet water closet carrier system with high performance waterway and 3" [76mm] no-hub connections. System includes Dura-Coated cast iron main fitting with hydro-mechanically optimized sweep and extended 2" [51mm] vent, adjustable gasketed faceplate, universal floor mounted pre-fab slotted foot supports, heavy-duty 1/2" [13mm] rear anchor tie down, fixture bolts, trim, stud protectors, bonded "Neo-Seal" gasket, and corrosion resistant, adjustable 3" [76mm] dia. X 6" [152mm] coupling with integral test cap designed to increase flow velocity and line carry. EZCarry® system complies with the requirements of ASME A112.6.1M up to a 500 lbs [227 kg] static load rating.

**OPTIONS** (Check/specify appropriate options)

- \_\_\_ Z1201-NL3 3 [76] No-Hub Left Hand Inlet with Flow to Right
- \_\_\_ Z1201-NR3 3 [76] No-Hub Right Hand Inlet with Flow to Left

**PREFIXES**

- \_\_\_ Z D.C.C.I. System with Zurn ZZ Adjustable Coupling\*
- \_\_\_ ZQ D.C.C.I. System with NPT Faceplate, Non-Adjustable Coupling

**SUFFIXES**

- |         |   |            |   |
|---------|---|------------|---|
| ___ -A  | Auxiliary Support Assembly (For 'P' Dim. Greater than 18 [457])   | ___ -CV    | Closed Vent (Use only when local codes allow).                  |
| ___ -CC | Corrosion Resistant Cast Iron Coupling (2-1/4 [57] to 12 [305])   | ___ -F     | Floor Mounted, Back Outlet Fixture Support                      |
| ___ -CE | EZ-Set™ Coupling (NPSM 6 [152], 12 [305] or custom) (NPT 12 [305] or custom)                              | ___ -G     | Galvanized Cast Iron  |
| ___ -CL | Custom Length Standard Coupling with Integral Test Cap (Specify Length 4, 8, 10, 12 [102, 203, 254, 305]) | ___ -M     | Auxiliary Foot Support (for 'P' Dim. 10 thru 18 [254 thru 457]) |
| ___ -CS | 2-1/4 [57] Polymer Coupling with Integral Test Cap  | ___ -RYK   | Unistrut Pre-Fab Foot Support                                   |
|         |   | ___ -RYK17 | One Piece Unistrut Pre-Fab Foot                                 |
|         |   | ___ -VP    | Vandal-Proof Trim   |
|         |   | ___ -45    | Finishing Frame for Siphon Jet System                           |
|         |   | ___ -50    | Flush Valve Supply Support for Water Closets                    |

\* Regularly furnished unless otherwise specified.