

SPECIFICATION:

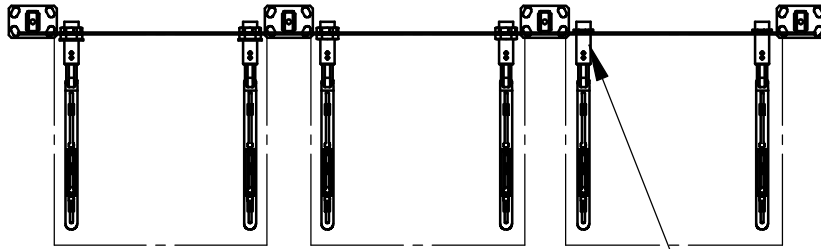
JOSAM 17125-UP3 SERIES FLOOR-MOUNTED, TRIPLE LAVATORY CARRIER WITH SIX CONCEALED ARMS, LEVELING & SECURING SCREWS, FOUR UPRIGHTS, AND ONE STEEL PLATE.

LAVATORY CARRIER

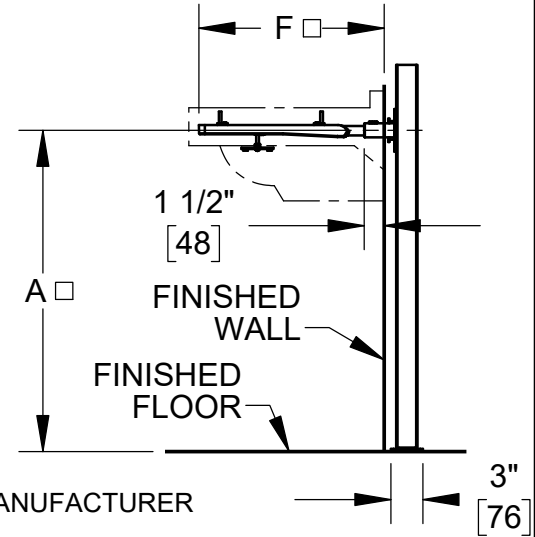
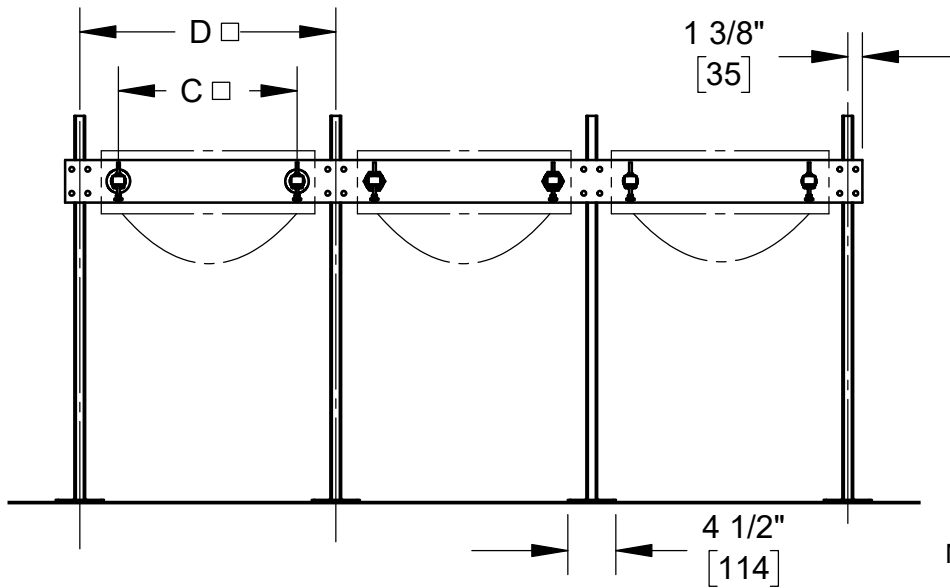
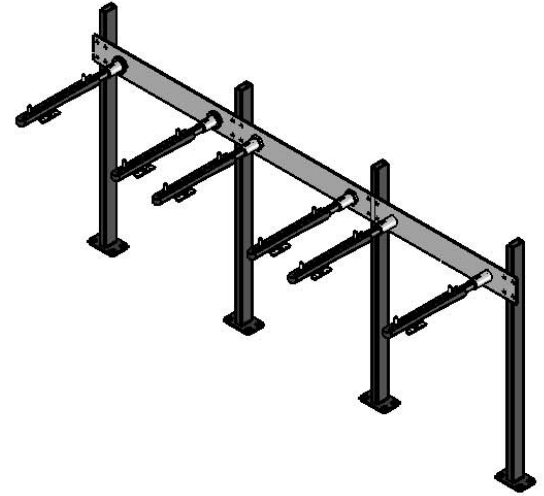
FLOOR MOUNTED CONCEALED ARM
 PREFAB 3 STATION DESIGN

SERIES **17125-UP3**

JOSAM RECOMMENDS - FEET BE SECURED TO FLOOR WITH 1/2" BOLTS AND ANCHORS BY OTHERS



STANDARD ADJUSTABLE SLEEVE 6-1/2"



MANUFACTURER _____

NUMBER _____

SIZE _____

NAME _____

DIMENSIONS

A _____

C _____

D _____

F _____

RIM HEIGHT _____
 BASED ON "A" DIM SHOWN

AUTHORIZED PROJECT SIGNATURE AND DATE:

NAME: _____

TITLE: _____

SIGNATURE: _____

DATE: _____

NOTE: ALL PRE-FAB CARRIERS ARE CUSTOM FABRICATED. ORDERS ARE NON-CANCELLABLE AND NON-RETURNABLE.

□: VARIABLE DIMENSION. DEPENDS ON FIXTURE.

WARNING: Cancer and Reproductive Harm - www.P65Warnings.ca.gov

DATE OF LAST CHANGE: 05/25/18

DIMENSIONS ARE SUBJECT TO MANUFACTURERS TOLERANCES AND CHANGE WITHOUT NOTICE. WE CAN ASSUME NO RESPONSIBILITY FOR USE OF SUPERSEDED OR VOID DATA.



MICHIGAN CITY, INDIANA

NOTES