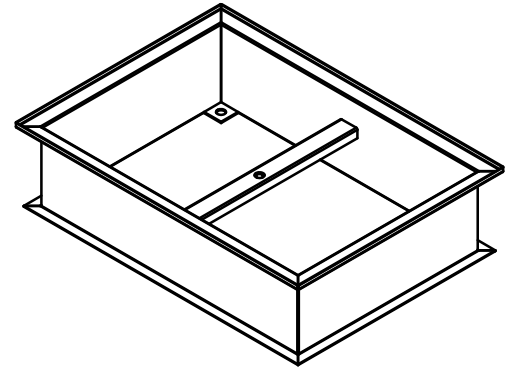
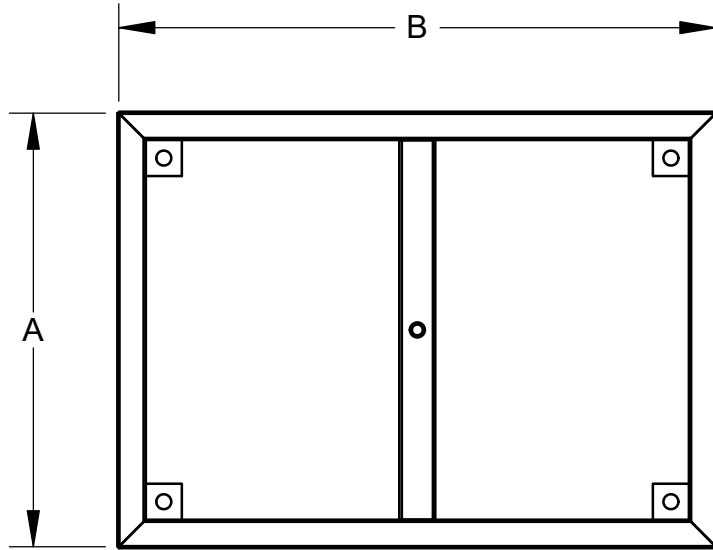


SPECIFICATION:

JOSAM SERIES 60100H-BXT EPOXY COATED FABRICATED STEEL BOLT-ON EXTENSION FOR 60100H SERIES INTERCEPTORS WITH RUBBER GASKET THAT ALLOWS RE-USE OF COVER SHIPPED WITH STANDARD UNIT.

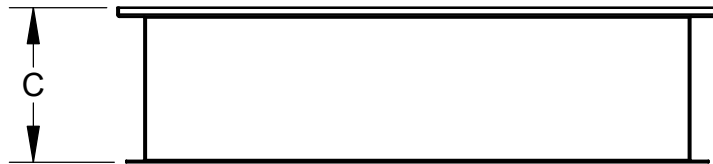
**GREASE INTERCEPTOR
BOLT-ON EXTENSION**

SERIES **60100H-BXT**



SPECIFY "C"

C = _____



	MODEL	A	B
	60102H-BXT	13	14-7/8
	60103H-BXT	14-1/2	16-5/8
	60104H-BXT	17	20-3/8
	60105H-BXT	19	20-7/8
	60106H-BXT	21-1/2	23-3/8
	60107H-BXT	23	26-1/8
	60108H-BXT	25-1/2	27-7/8
	60109H-BXT	31	41
	60110H-BXT	35	47

WARNING: Cancer and Reproductive Harm - www.P65Warnings.ca.gov

DATE OF LAST CHANGE: 06/12/18

DIMENSIONS ARE SUBJECT TO MANUFACTURERS TOLERANCES AND CHANGE WITHOUT NOTICE. WE CAN ASSUME NO RESPONSIBILITY FOR USE OF SUPERSEDED OR VOID DATA.



MICHIGAN CITY, INDIANA

NOTES