

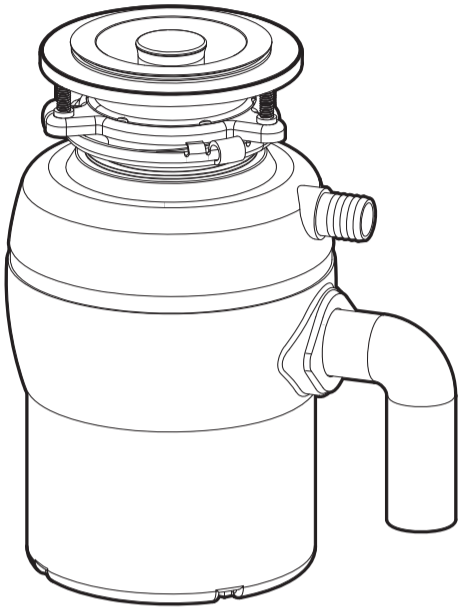
INSTALLATION INSTRUCTIONS

GD-5012

½ HP Garbage Disposal

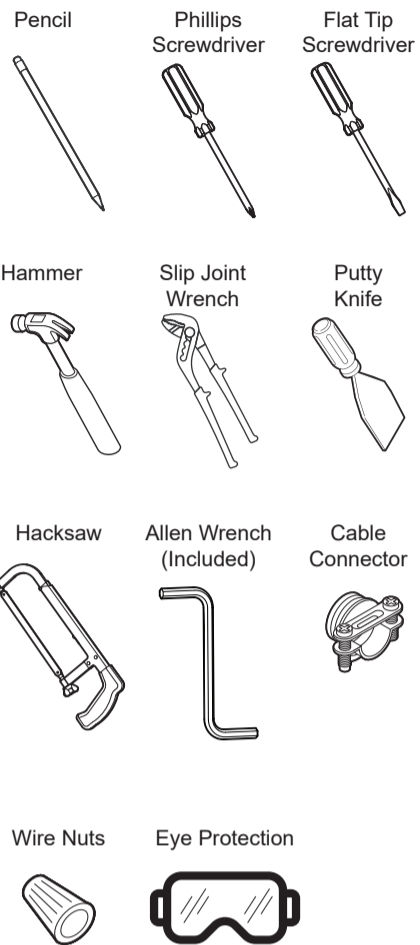
GD-5034

¾ HP Garbage Disposal



92-GD-5012-01

TOOLS & SUPPLIES NEEDED



IMPORTANT

SAFETY TIPS:

Be sure to read and understand all instructions before beginning installation.

Inspect all connections after installation.

Be sure to wear proper eye protection.

MAINTENANCE:

Your new Speakman Product is designed for years of trouble-free performance. Keep it looking new by cleaning it periodically with a soft cloth. Avoid abrasive cleaners, steel wool, and harsh chemicals as these will dull the finish and void your warranty.

See Maintenance section of this document for additional information.

NOTE:

This installation manual covers several models of Garbage Disposals. While the appearance of your product may differ from those shown, the installation method is the same.

⚠ WARNING

SHOCK HAZARD

Electrical supply to the unit should be turned off before attempting to remove disposal. Turn off power at fuse box or circuit breaker.

NEW INSTALL VS. REPLACEMENT

If you are replacing an existing disposal, continue to **1**

If there is no existing disposal, disconnect sink drain and skip to **7**

NEED HELP?

For additional assistance or service please contact:



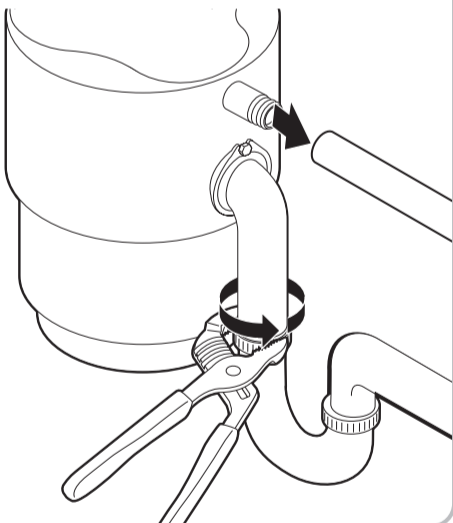
800-537-2107



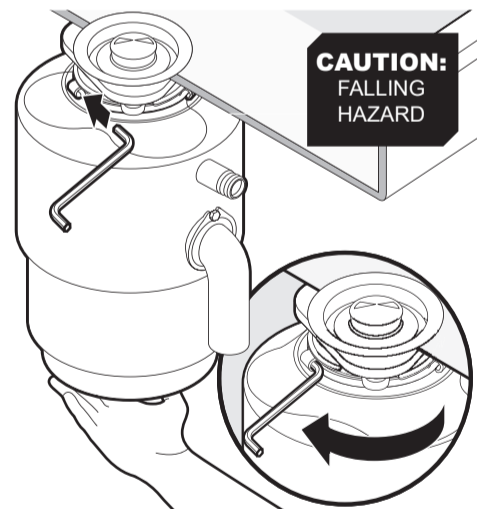
www.speakman.com

REMOVAL OF EXISTING GARBAGE DISPOSAL

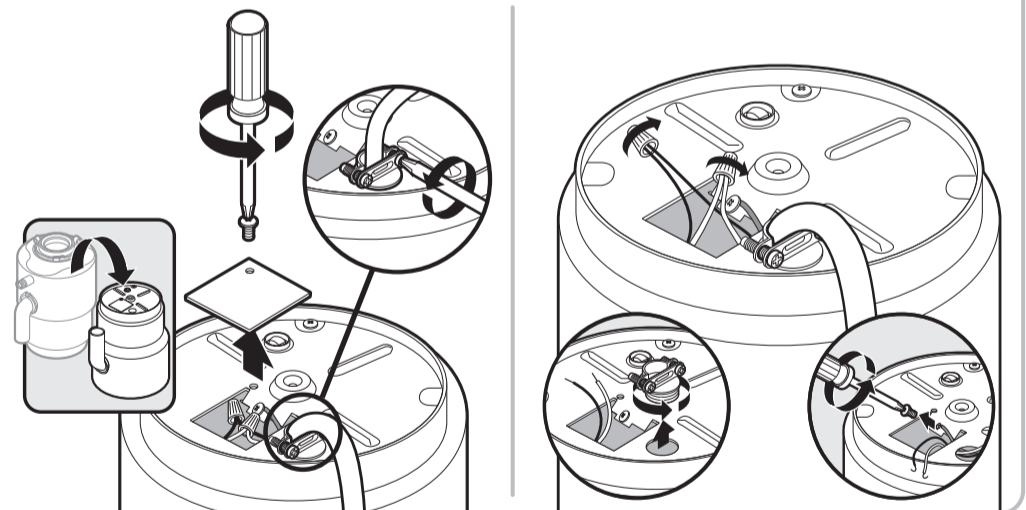
- 1** Disconnect drain trap tube from discharge tube on garbage disposal. If dishwasher connection is being used, this will need to be removed.



- 2** Using the supplied Allen Wrench, insert one end into the mounting lug. Turn to the left, rotating the mounting lug and the disposal will drop from the drain assembly that is still attached to the sink.

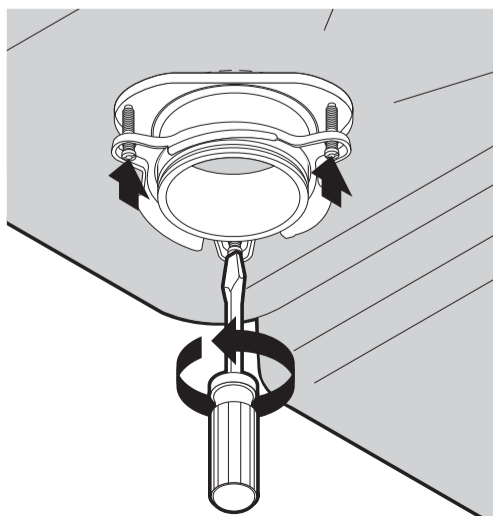


- 3** Turn "OFF" electrical supply at the breaker / fuse box to ensure there is no chance of electric shock. If your existing unit has a "plug in" electrical connection, simply unplug the disposal from the wall outlet. If the current disposal is hard wired in, the disposal electrical connections will need to be disconnected at the wall, or at the disposal. The new disposal will have its own electrical cable for the new install.

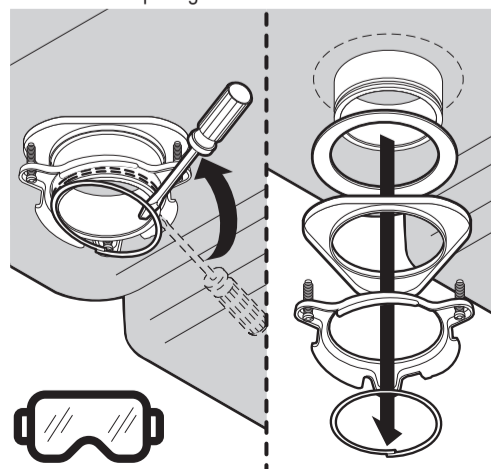


REMOVAL OF EXISTING DRAIN FLANGE

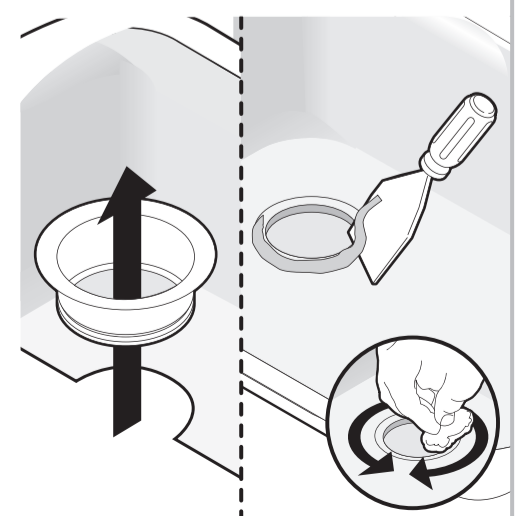
- 4** Back out the three screws on the drain mount. This will allow the lower part of the mount to spin freely.



- 5** Remove the Snap Ring from the lower flange using a Screwdriver. With the snap ring removed, the lower assembly components will drop free from the bottom of the top flange. Be sure to wear eye protection during removal of the Snap Ring.



- 6** From above, remove the Top Flange from the sink. Remove any remaining Plumber's Putty from sink, and ensure that the surface is clean.



If the new disposal mounting is the same as the existing one, you can proceed to

12

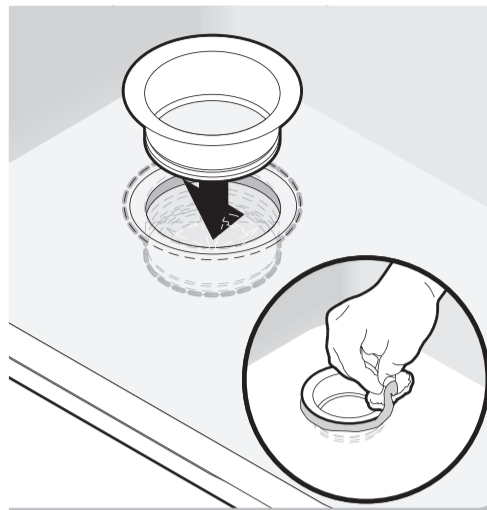
NEW DRAIN FLANGE INSTALLATION

WARNING
Electrical supply to the unit should be turned off before attempting to install the disposal. Turn off power at fuse box or circuit breaker.

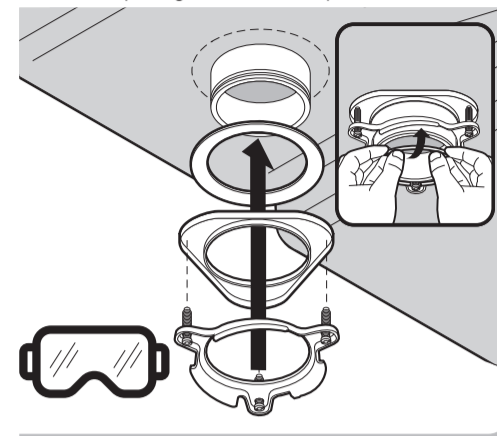
- 7** Evenly apply 1/2" thick rope of plumber's putty around flange



- 8** Place flange through the center part of the sink opening and press down allowing the excess plumber's putty to push out from under the flange. Wipe away the excess putty.

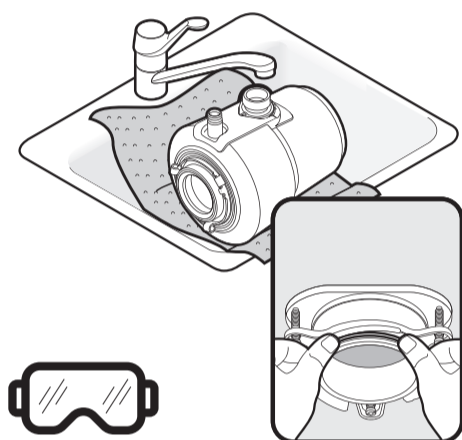


- 9** From below install the following parts in this order: rubber washer, fiber washer, mounting plate, and threaded plate (ensure the threaded plate is facing the direction shown in the picture to ensure that the twist plate will be able to be installed on the drain assembly). Install Snap Ring to secure components.

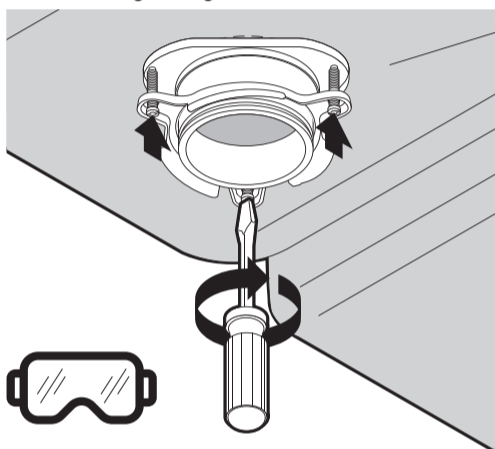


NEW DRAIN FLANGE INSTALLATION (CONTINUED)

- 10** **OPTIONAL:** Place a weight such as the disposal on the sink flange to hold it in place. Use a towel to prevent scratching sink. Pull snap ring (1) open and press firmly until it snaps into place.

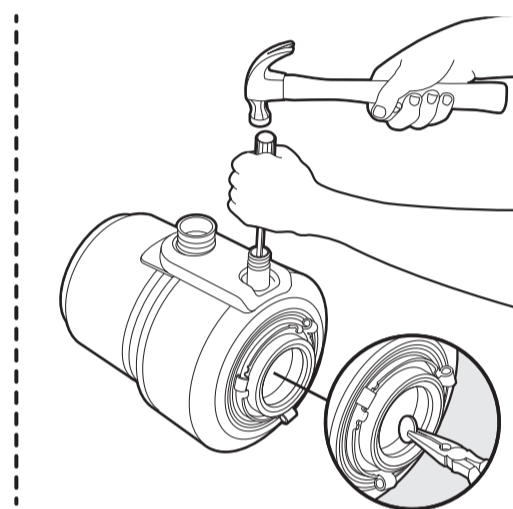
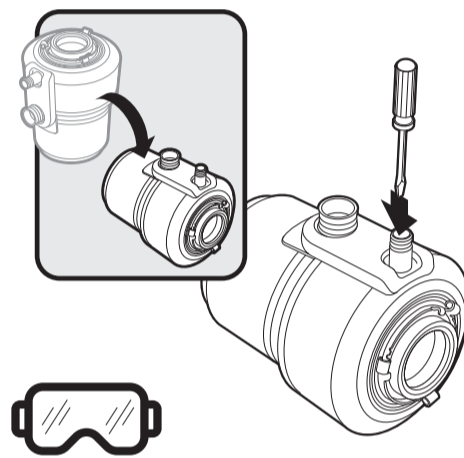


- 11** Tighten mounting screws through the threaded plate to the mounting plate. Be sure to tighten the screws evenly to ensure the seal on the flange is tight. **Note:** Some additional plumber's putty might come out from under the top flange after tightening the drain connection.



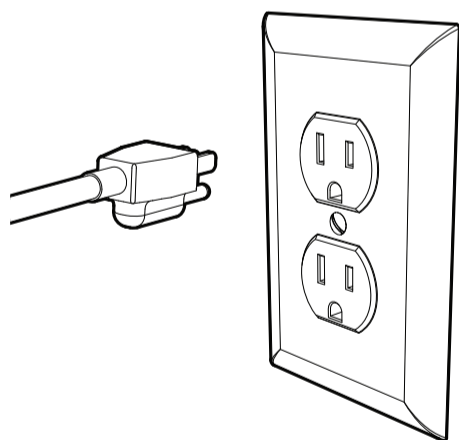
DISHWASHER CONNECTION (IF DESIRED)

- 12** Before installing garbage disposal, decide if the dishwasher connection needs to be opened for use. If no dishwasher connection is needed, proceed to the next step. Using a screwdriver or a steel punch with a hammer, tap the center of the dishwasher connection to break away the thin plastic. That small plastic piece will fall into the grinding area of the disposal. It will need to be removed before proceeding.



PLUG-IN ELECTRICAL

- 13** This model includes a terminated male plug that can be inserted into a standard electrical outlet.



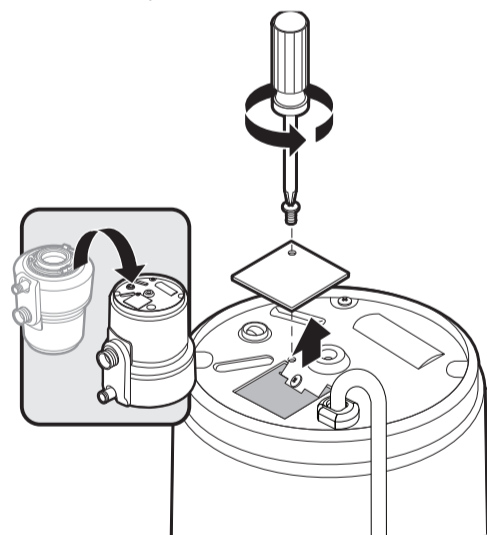
If you are using a "Plug-In" electrical connection, proceed to **22**

If you are performing a hard wired electrical connection, unplug the unit and proceed to **14**

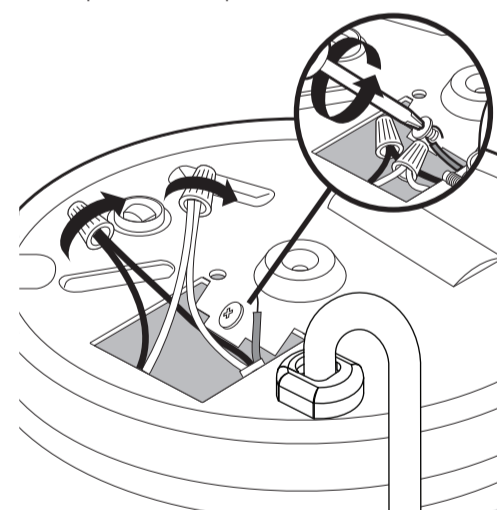
NOTICE:
If you are not familiar with electrical power and procedures, call a qualified electrician before proceeding.

HARD WIRED ELECTRICAL CONNECTIONS

- 14** If a hard wired electrical connection is desired, removal of the existing power cord is required. Begin by removing the access plate.

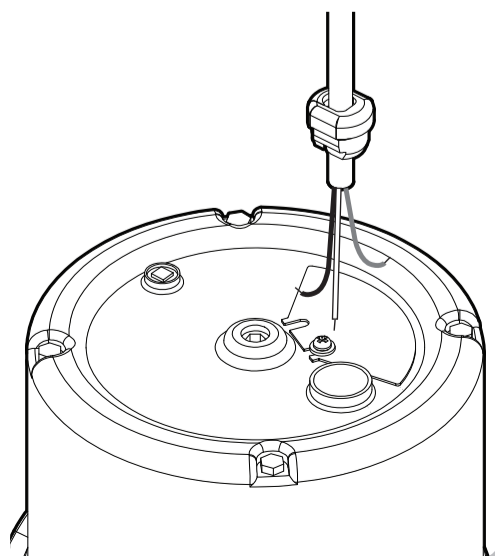


- 15** Remove the two wire nuts that are holding the black and gray wires and both white wires together. The grounding wire will have to be unscrewed from the bottom plate of the disposal.

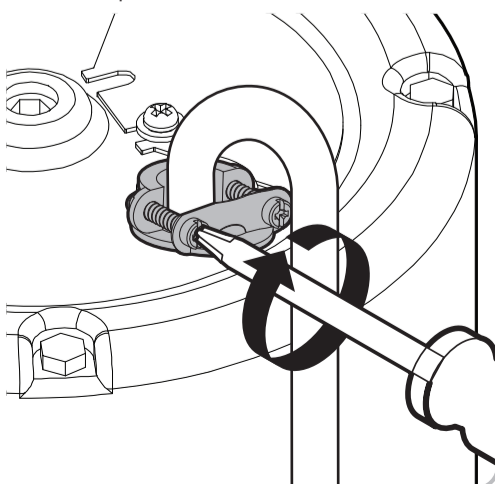


HARD WIRED ELECTRICAL CONNECTIONS (CONTINUED)

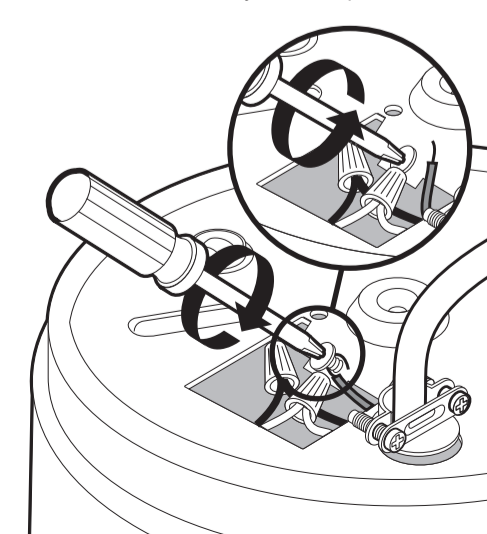
- 16** Remove existing power cord and grommet from disposal.



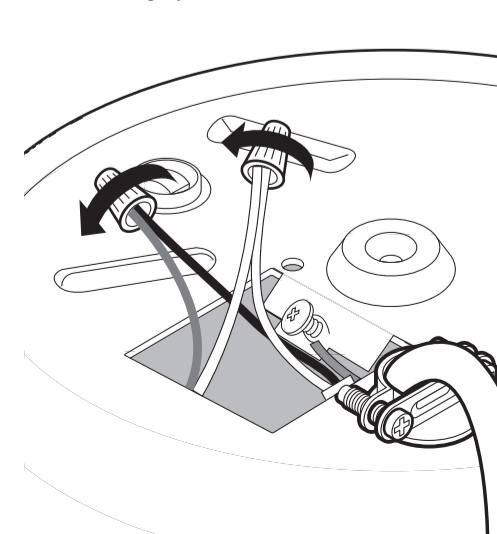
- 17** Install a 1/2" Strain Relief Connector (not included) in place of removed grommet. Secure with Strain Relief Connector Nut. Place electrical cable through Strain Relief Connector and secure into position with a Phillips Screwdriver



- 18** Using the screw that was previously installed for the grounding wire, loop the new ground around the screw and tighten it down to the body of the disposal.

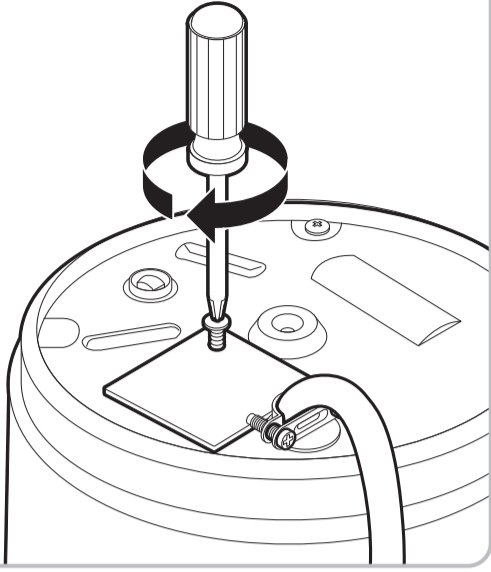


- 19** Using the same wire nuts that were previously removed, secure the 2 white wires together. Then secure the black wire to the gray wire.

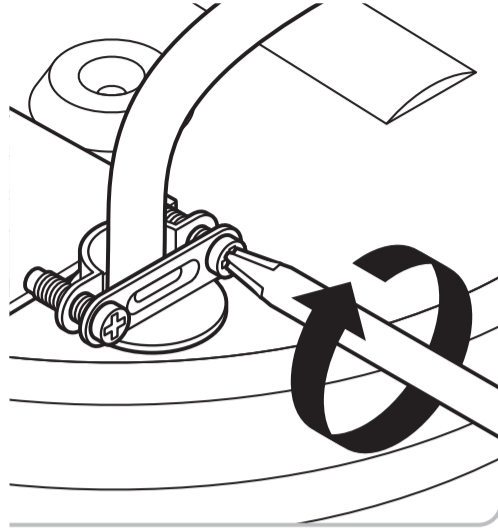


HARD WIRED ELECTRICAL CONNECTIONS (CONTINUED)

- 20** The access plate can then be re-installed on the base of the unit.

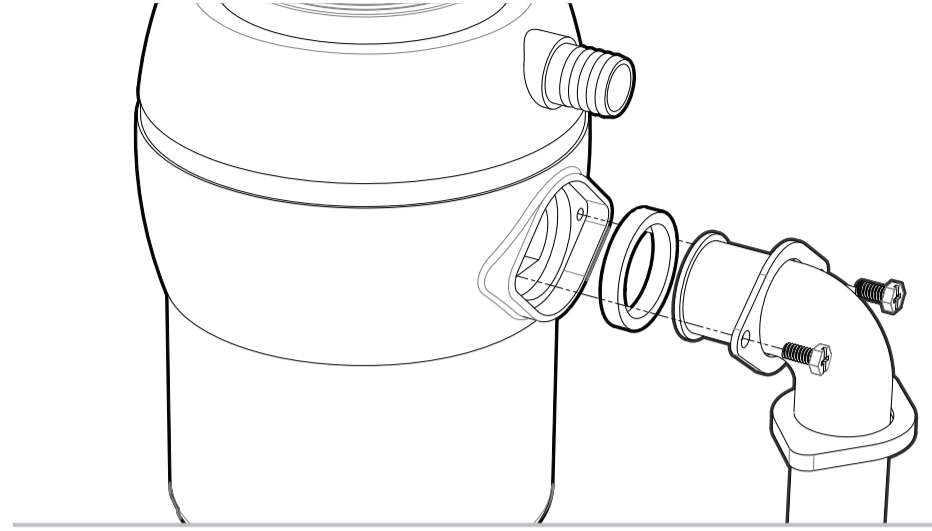


- 21** The new strain relief can then be tightened down holding the new wire in place.



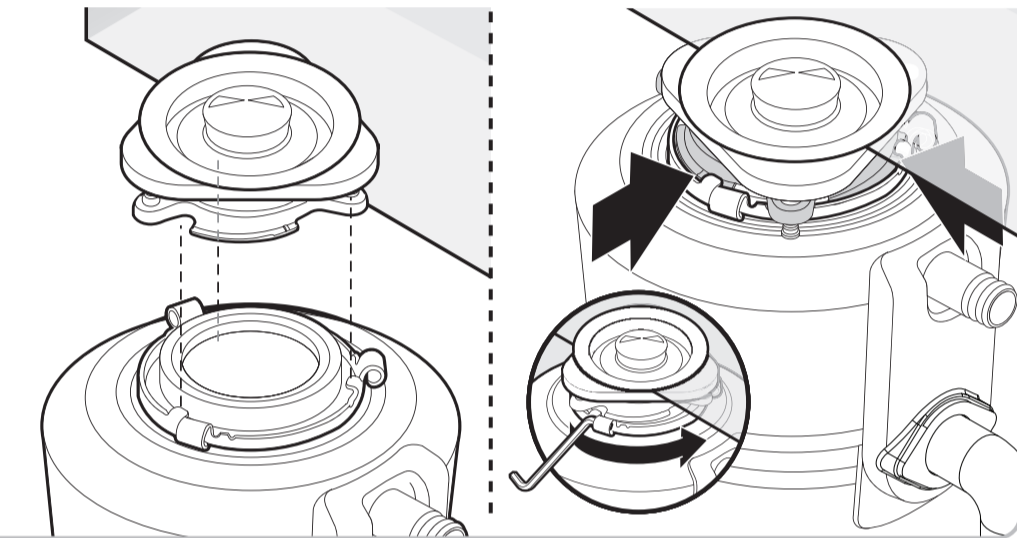
PLUMBING CONNECTIONS

- 22** Install the discharge tube to the disposal. Place the rubber seal into the opening of the disposal. Loop the mounting flange onto the discharge pipe and mount it to the disposal with the two mounting screws. Loop the rubber cover plate onto the discharge pipe and position it on top of the mounting flange.

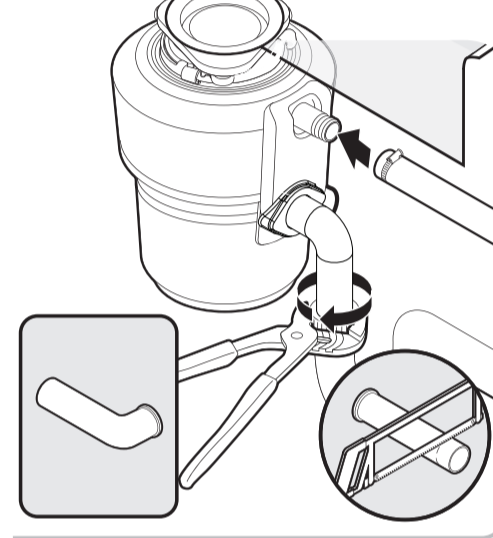


PLUMBING CONNECTIONS (CONTINUED)

- 23** Position the Garbage Disposal under the Drain Flange. Slide the inward bent tabs of the bottom mount onto the Drain Flange assembly. Using provided Allen Wrench, Rotate the Bottom Mount counter-clockwise until the tabs lock into position.



- 24** Install the drain tube / p-trap to the discharge pipe. If being used, also install discharge tube from the dishwasher.



- 25**
- Position the stopper into the drain opening. Fill the sink half way with water.
 - Check for leaks around the sink and drain connections.
 - Remove the stopper and let the water drain through the disposal. As the water is running through the disposal, check the drain lines for leaks.



OPERATING INSTRUCTIONS

1. Remove stopper from sink opening and run cold water.
2. Turn on wall switch to start disposal.
3. Slowly insert food waste into disposal. **WARNING!** Position stopper to minimize possible ejection of material while grinding.
4. After grinding is complete, turn disposal off and run water for a few seconds to flush drain line.

DO...

- First turn on cold water and then turn on the disposal. Continue running cold water for several seconds after grinding is completed to flush the drain line.
- Grind hard materials such as small bones, fruit pits, and ice. A scouring action is created by the particles inside the grind chamber.
- Grind peelings from citrus fruits to freshen up drain smells.
- Use a disposal cleaner, degreaser, or deodorizer as necessary to relieve objectionable odors caused by grease build-up.

DON'T...

- **DON'T POUR GREASE OR FAT DOWN YOUR DISPOSAL OR ANY DRAIN. IT CAN BUILD UP IN PIPES AND CAUSE DRAIN BLOCKAGES. PUT GREASE IN A JAR OR CAN AND DISPOSE IN THE TRASH.**
- Don't use hot water when grinding food waste. It is OK to drain hot water into the disposal between grinding periods.
- Don't fill disposal with a lot of vegetable peels all at once. Instead, turn the water and disposal on first and then feed the peels in gradually.
- Don't grind large amounts of egg shells or fibrous materials like corn husks, artichokes, etc., to avoid possible drain blockage.
- Don't turn off disposal until grinding is completed and only sound of motor and water is heard.

PRODUCT WARRANTY

With exception of items listed below, this product has a limited warranty against defects in materials or workmanship for a period of five years from the date of purchase.

Warranty is limited to replacement of defective components or units.

Associated replacement or repair labor costs are NOT included. This warranty only pertains to single dwelling residential use. Disposals used for other than single dwelling residential use are covered by a 5 year limited warranty from the date of purchase.

MAINTENANCE INSTRUCTIONS

CLEANING DISPOSAL

Over time, food particles may accumulate in the grind chamber and baffle. An odor from the disposal is usually a sign of food buildup. To clean disposal:

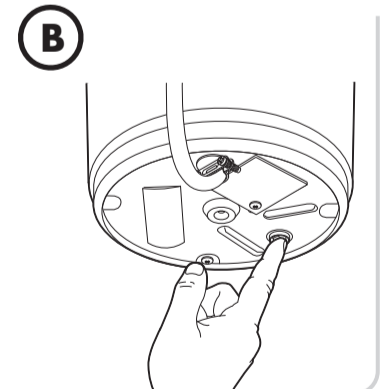
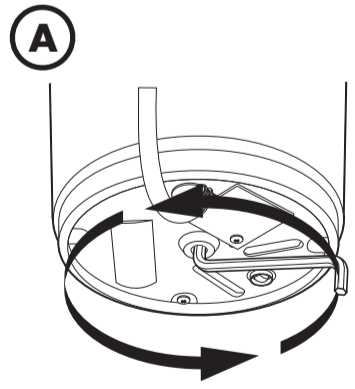
1. Place stopper in sink opening and fill sink halfway with warm water.
2. Mix 1/4 cup baking soda with water. Turn disposal on and remove stopper from sink at same time to wash away loose particles.

In the unlikely event that the disposal is jammed, release it by following these steps:

RELEASING DISPOSAL JAM

If motor stops while disposal is operating, disposal may be jammed. To release jam:

1. Turn off disposal and water.
2. Insert one end of self-service Allen Key Wrench into center hole on bottom of disposal (see Figure A). Work Allen Key Wrench back and forth until it turns one full revolution. Remove Allen Key Wrench.
3. Reach into disposal with tongs and remove object(s). Allow disposal motor to cool for 3 - 5 minutes, then lightly push red reset button on disposal bottom (see Figure B). (If motor remains inoperative, check service panel for tripped circuit breakers or blown fuses.)



CALIFORNIA PROPOSITION 65



CALIFORNIA PROPOSITION 65:

WARNING: This product can expose you to chemicals including lead, which is known to the State of California to cause cancer and birth defects or other reproductive harm. For more information go to www.P65Warnings.ca.gov.

Wash hands after installation, repair, or removal of this product.

IMPORTANT SAFETY INSTRUCTIONS PERTAINING TO RISK OF FIRE, ELECTRIC SHOCK, OR PERSONAL INJURY

CAUTION

PERSONAL INJURY:

Do not position your head or body under disposal; unit could fall during removal or installation.

WARNING

Improper connection of the equipment-grounding conductor can result in a risk of electric shock. Check with a qualified electrician or serviceman if you are in doubt as to whether the disposal is properly grounded. If the plug you are using does not fit the outlet, do not modify the plug or attempt to force the plug into the outlet – have a proper outlet installed by a qualified electrician.

- This disposal must be properly grounded.
- Do not attach ground wire to gas supply line.
- Disconnect power before installing or servicing disposal.
- If three-prong grounded plug is used, plug must be inserted into three-hole grounded receptacle.
- All wiring must comply with local electrical codes.
- Do not reconnect electrical current at main service panel until proper grounds are installed.

ELECTRICAL GROUNDING INSTRUCTIONS

For all grounded, cord-connected disposals:

This disposal must be grounded to reduce the risk of electric shock in the event of a malfunction or breakdown. Grounding provides a path of least resistance for electric current. The plug must be plugged into an outlet that is properly installed and grounded in accordance with all local codes and ordinances.

For permanently connected disposals:

This disposal must be connected to a grounded, metal, permanent wiring system; or an equipment-grounding conductor must be run with the circuit conductors and connected to the equipment-grounding terminal or lead on the disposal.

NOTICE

Do not use plumber's putty on any other disposal connection other than sink flange. Do not use thread sealants or pipe dope. These may harm disposal and cause property damage.

WARNING: When using electrical appliances, basic safety precautions must always be followed, including:

Read all instructions before using the appliance.

To reduce the risk of injury, close supervision is required when an appliance is used near children.

- Do not put fingers or hands into a waste disposal.
- Turn the power switch to the off position before attempting to clear a jam, removing an object from the disposal, or pressing reset button.
- When attempting to loosen a jam in a waste disposal, use the self-service wrenchette.
- When attempting to remove objects from a waste disposal, use long-handled tongs or pliers.
- Do not put the following into a disposal: clam or oyster shells, caustic drain cleaners or similar products, glass, china, or plastic, metal (such as bottle caps, steel shot, tin cans, or utensils), hot grease or other hot liquids.
- When not operating a disposal, leave the stopper in place to reduce the risk of objects falling into the disposal.

- This product is designed to dispose of normal household food waste; inserting materials other than food waste into disposal could cause personal injury and/or property damage.
- To reduce the risk of injury and/or property damage, do not use the sink containing the disposal for purposes other than food preparation (such as baby bathing or washing hair).
- Do not dispose of the following in the disposal: paints, solvents, household cleaners and chemicals, automotive fluids, plastic wrap.
- **FIRE HAZARD:** Do not store flammable items such as rags, paper, or aerosol cans near disposal. Do not store or use gasoline, or other flammable vapors and liquids in vicinity of disposal.
- **LEAK HAZARD:** Regularly inspect disposal and plumbing fittings for leaks, which can cause property damage, and could result in personal injury.

ROUGH-IN DIAGRAM

COMPLIANCE

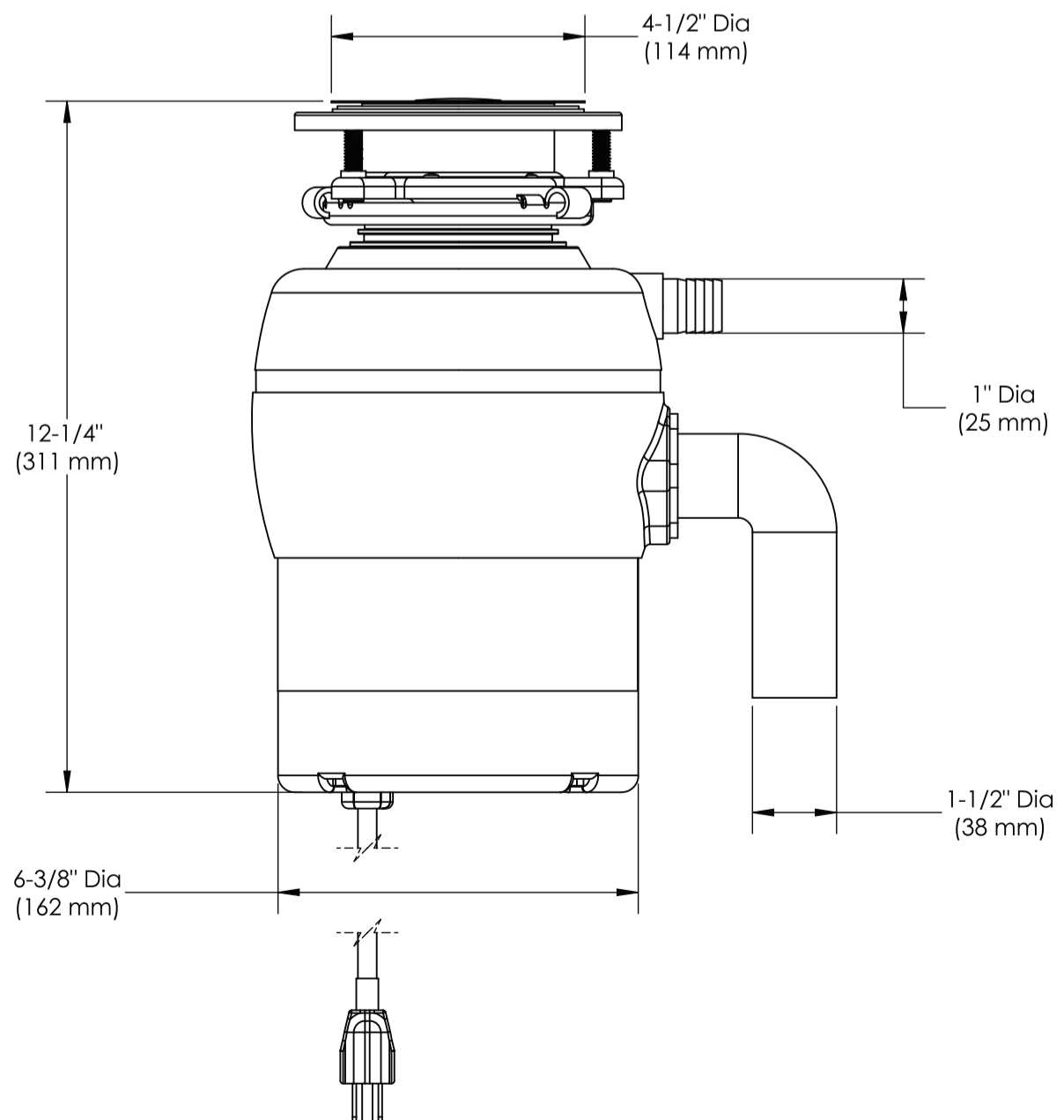
ASME A112.18.1/CSA B125.1

ASSE1016/ASME A112.1016/CSA B125.16

CONNECTIONS

1-1/2" Drain Outlet

1" Dishwasher Discharge Inlet



DIMENSIONS SUBJECT TO CHANGE WITHOUT NOTICE.