

EZ Wash-N-Go![™]

MODEL A1711FBW SERIES
WALL MOUNTED FOOT OPERATED
HAND WASHING STATION

STANDARD FEATURES

- Hands Free Operation Without Sensor or Pushbutton
- Apron and One-Piece Bottom Wrapper is Satin Finish or Gray Powder Coat Finish
- Foot Operated Stainless Steel "J" Spout
- Durable Stainless Steel Spout Superior to Chrome Finish
- Hanging Bracket Provided
- Rough-Ins Match Other Water Cooler Manufacturer's for Easy Retrofit
- Adjustment Section To Accommodate Different Height Requirements

SUGGESTED SPECIFICATIONS

Wall mounted Hand Washing Station shall be Murdock model A1711FBW series. Hand wash shall be activated by a Foot Button. Faucet shall provide 0.5 GPM (2.0 LPM) Laminar Flow outlet to minimize splash. Faucet Spout shall be constructed of type 304 stainless steel. Basin shall be constructed from 304 Stainless Steel and have an Integral Drain. Cabinet shall be either Galvanized or Galvannealed Steel with Gray Powder Coat Finish or Stainless Steel with Satin Finish. Unit to include a rear alcove Splash Guard manufactured from antimicrobial, impact resistant ABS. Optional Pump Soap Dispenser shall allow for top refill of liquid and lotion soap and to include 4" stainless steel spout with bright polished finish and 34 ounce polyethylene Soap Container. Optional Tankless Water Heater shall be shipped loose for remote installation or within Cabinet. Hand Washing Station to comply with ANSI A117.1, Public Law 111-380 (NO-LEAD), CHSC 116875.



Model A1711FBW Shown

MODEL:

(Must Specify)

- A1711FBW Gray Finish (Standard)
- A1714FBW Stainless Steel Finish
- A1711FBW-PS Gray Finish with Pump Soap Dispenser
- A1714FBW-PS Stainless Steel Finish with Pump Soap Dispenser

OPTIONS:

(additional costs may be apply)

- H240 Tankless Water Heater, 20 amp 240 volt ¹
Model # CM20L/240 104F-NPT08
- H120 Tankless Water Heater, 12 amp 120 volt ¹
Model # CM12L/120 104F-NPT08

Options Notes:

¹ For Information on Chronomite® Water Heaters
Refer to website: www.Chronomite.com

Complies with the following standards:



Member of
U.S. Green
Building
Council



Recyclable
Product



Water
Conserving
Product

WARNING: Cancer and Reproductive Harm - www.P65Warnings.ca.gov

* Valve specifications:
Minimum/Maximum Pressure
30 to 100 psi.

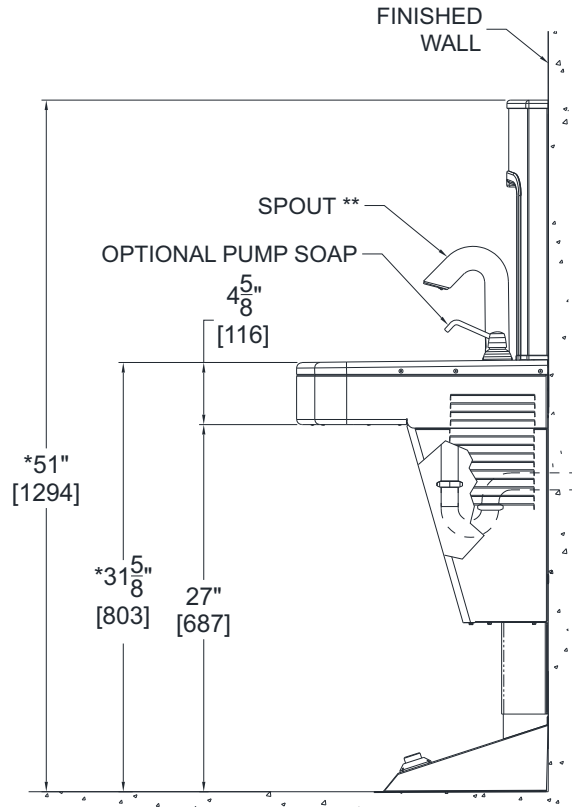
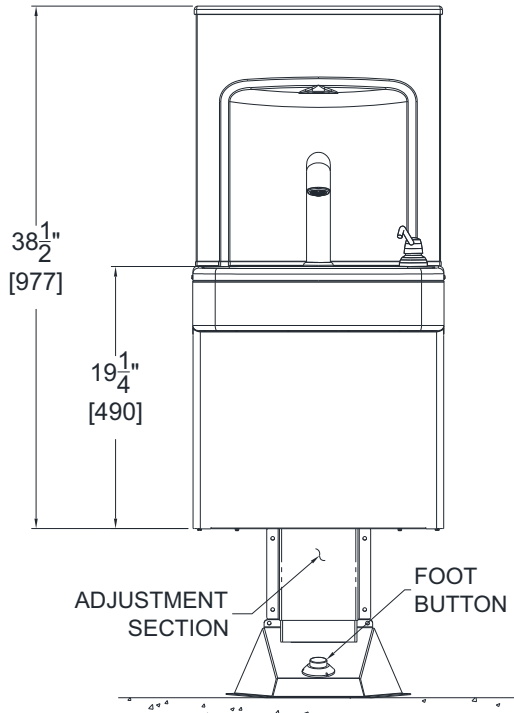
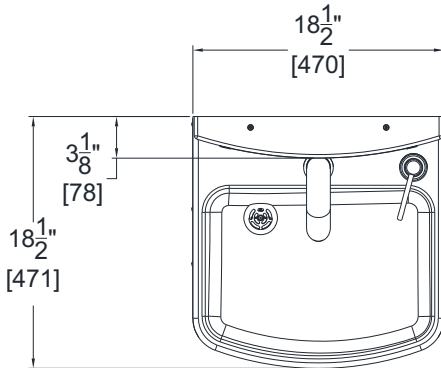
EZ Wash-N-Go![™]

MODEL A1711FBW SERIES

**WALL MOUNTED FOOT BUTTON
OPERATED HAND WASHING STATION**

GENERAL NOTES:

1. ALL DIMENSIONS ARE IN INCHES [mm]
2. *DIMENSIONS SHOWN ARE FOR RECOMMENDED HEIGHT. ADJUST VERTICAL DIMENSIONS AS NECESSARY TO COMPLY WITH FEDERAL, STATE AND LOCAL CODES..
3. P-TRAP AND INLET STOP NOT PROVIDED.
4. ** DISTANCE FROM NOZZLE TO BASIN IS 6-1/2" [165].



Murdock Mfg.[™] warrants that its products are free from defects in material or workmanship under normal use and service for a period of one year from date of shipment. Murdock's liability under this warranty shall be discharged solely by replacement or repair of defective material, provided Murdock[™] is notified in writing within one year from date of shipment, F.O.B. Industry, California.

SELECTION SUMMARY & APPROVAL FOR MANUFACTURING	Model Number & Options _____	Quantity _____	All dimensions are subject to manufactures tolerance of plus or minus 1/2" nominal and subject to change without notice. Murdock assumes no responsibility for use of void or superseded data. Dimensions may change with the addition of optional accessories. Murdock Mfg. [™] , Member of Morris Group International [™] . Please visit www.murdockmfg.com for most current specifications.
	Company _____		
	Contact _____	Title _____	
	Signature (Approval for Manufacturing) _____	Date _____	