

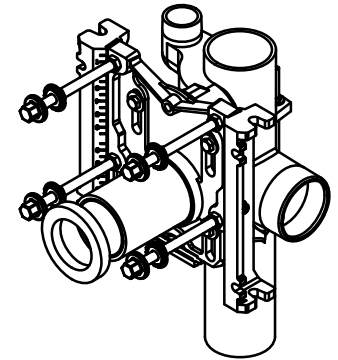
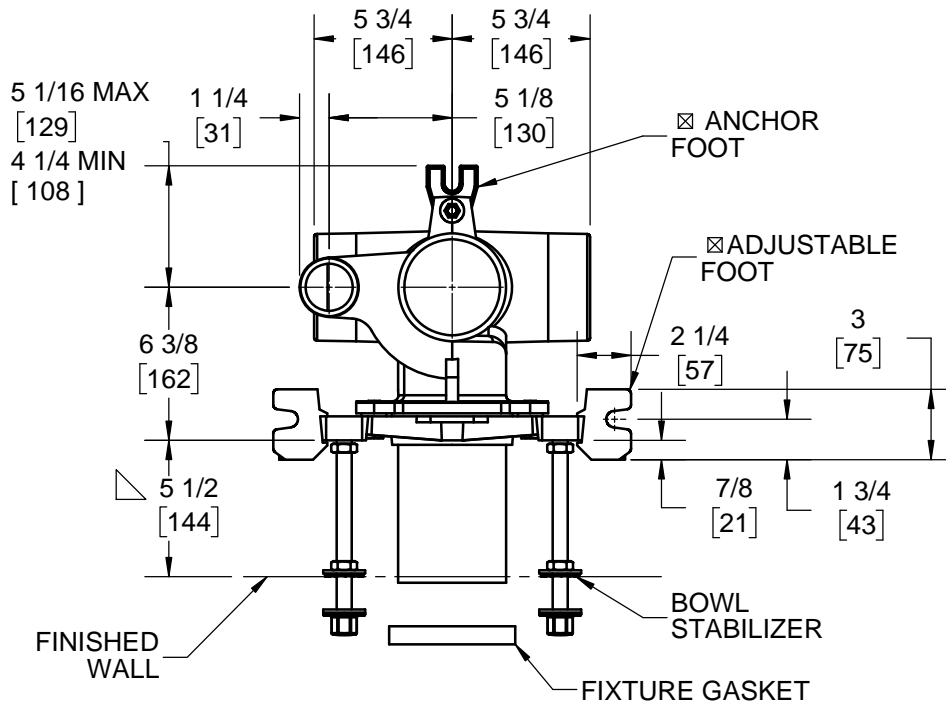
SPECIFICATION:

JOSAM 12704-RH4 SERIES COATED CAST IRON SINGLE VERTICAL 4" NO-HUB FITTING WITH RIGHT-HAND 4" NO-HUB BRANCH INLET AND 2" NO-HUB LEFT-HAND OFFSET VENT, ADJUSTABLE CARRIER BODY, INVERTIBLE FOR SIPHON JET OR BLOWOUT CLOSETS, WITH ABS EXTENSION WITH INTEGRAL TEST CAP, PYLON FEET, ANCHOR FOOT, PLATED HARDWARE AND NEOPRENE FIXTURE GASKET.

CLOSET CARRIER

VERTICAL
W/ LEFT HAND VENT
AND RIGHT HAND INLET

SERIES **12704-RH4**



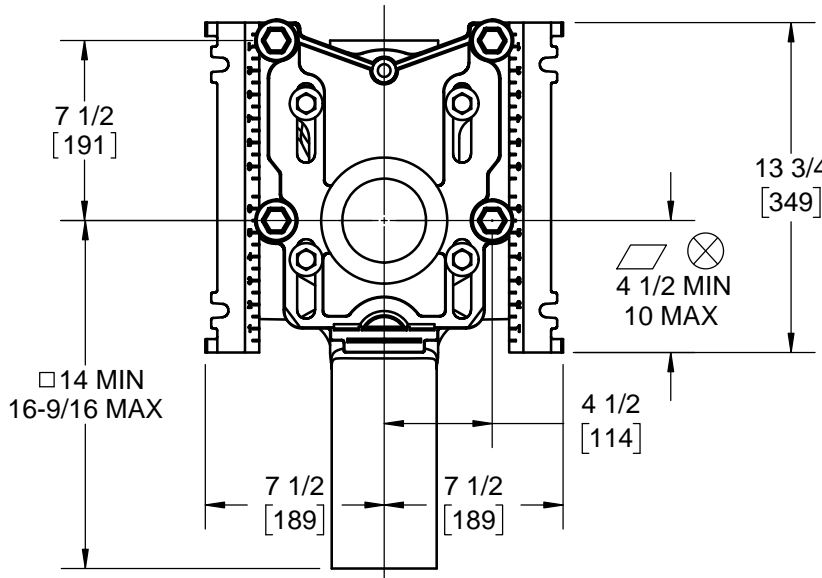
△ FOR DIMENSION SHORTER THAN 5-1/2" (1" MIN) CUT EXTENSION. FOR LONGER EXTENSION (10-1/2" MAX) SPECIFY (-10)

☒ RECOMMEND FEET BE SECURED TO FLOOR WITH 1/2" BOLTS AND ANCHORS (BY OTHERS).

⊗ FOR SIPHON JET ROUGHING OVER 6" OR BLOWOUT ROUGHING OVER 12-1/2" SPECIFY ON ORDER.

SIPHON JET DIMS SHOWN. FOR BLOWOUT DIMS, USE:

▱ MIN 11" & MAX 16-1/2"
□ MIN 15-11/16" & MAX 18-1/4"



	-PF	PYLON FOOT, STD.
	-OR	O-RING CARRIER
	-SD	SPECIAL-DUTY 500 LB. CARRIER
	-HS	HUB & SPIGOT
	-HLH4	LEFT-HAND 4" HUB BRANCH
X	-RH4	RIGHT-HAND 4" NO-HUB BRANCH
	-VP	VANDAL-PROOF TRIM
	-1	POSITIONING FRAME
	-6	SUPPLY PIPE SUPPORT (SPECIFY TYPE OF PIPE)

	-10	ABS EXTENSION THROUGH 10-1/2" WALL
	-24	FLOOR MOUNTED BACK OUTLET CHINA BOWL
	-30	CAST IRON ADJ. EXTENSION W/ CONNECTOR
	-30-2	CAST IRON ADJ. EXTENSION W/ CONNECTOR & TEST CAP
	-32	CARRIER FOR WIDE CHASE INSTALLATIONS
	-35	CARRIER FOR WHEELCHAIR HIGH ROUGH
	-49	NO-HUB AUXILIARY INLET, UNDER VENT
	-53	THREADED AUXILIARY INLET, UNDER VENT

WARNING: Cancer and Reproductive Harm - www.P65Warnings.ca.gov

DATE OF LAST CHANGE: 5/30/18

DIMENSIONS ARE SUBJECT TO MANUFACTURERS TOLERANCES AND CHANGE WITHOUT NOTICE. WE CAN ASSUME NO RESPONSIBILITY FOR USE OF SUPERSEDED OR VOID DATA.



MICHIGAN CITY, INDIANA

NOTES