

## Lucid Shower Valve Trim

### FEATURES:

- Brass construction
- Corrosion resistant finishes
- Coordinates with Lucid collection
- Works with the CPV-TC-DV valve (not included)

### VALVE OPTIONS:

- CPV-TC-DV: Lucid Thermostatic Valve

### STOCK FINISHES:



PC MB

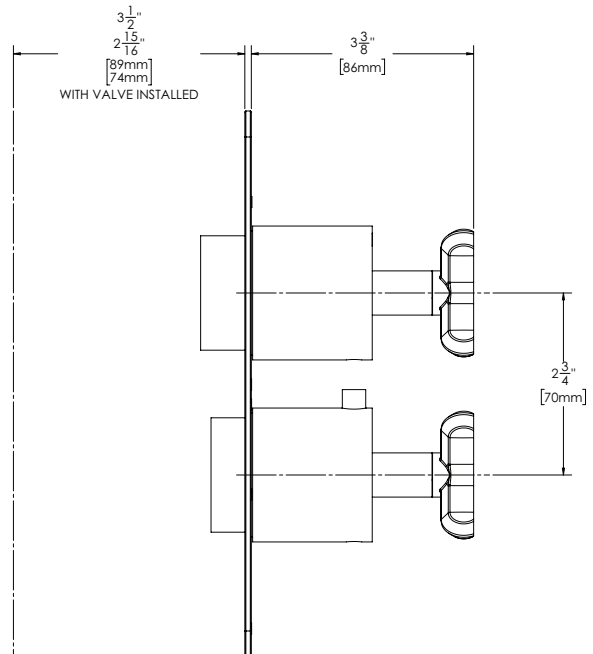
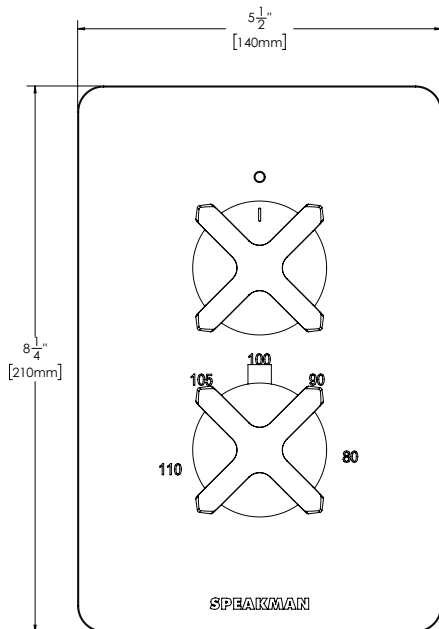
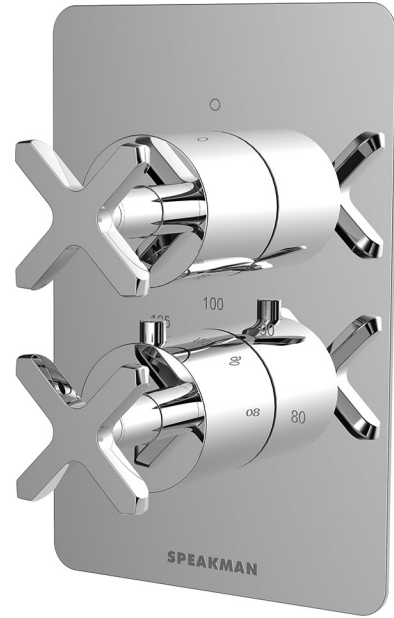
### STANDARDS:

- ASME A112.18.1/CSA B125.1 Certified

### WARRANTY:

Visit [www.speakman.com](http://www.speakman.com) for full product warranty information

- 5 Year Limited Warranty (commercial)
- Limited Lifetime Warranty (residential)



1. All dimensions are in inches (millimeters) unless otherwise specified and are subject to change without notice. 2. Contractor to supply necessary inlet connections.

Architect/Engineer Approval Space:

P: 800-537-2107  
 F: 800-977-2747  
 W: WWW.SPEAKMAN.COM  
 R: 01-MAY 2020