

G

SMITH® JAY R. SMITH MFG. CO.®
 MEMBER OF MORRIS GROUP INTERNATIONAL
 POST OFFICE BOX 3237
 MONTGOMERY, ALABAMA 36109-0237 (USA)
 TEL: 334-277-8520 FAX: 334-272-7396 www.jrsmith.com



LOCATION

DRAWING NUMBER
S0480

SIZE
A

SCALE:
NONE

DATE:
10-27-69

APPROVED BY:

CHECKED BY:
RP

DRAWN BY:
RVB

0480,0490

FIGURE NUMBER

WE CAN ASSUME NO RESPONSIBILITY FOR USE OF SUPERSIZED OR VOID DATA

DIMENSIONS ARE SUBJECT TO MANUFACTURERS TOLERANCE AND CHANGE WITHOUT NOTICE

COMPACT FIXTURE SUPPORTS

WITH VERTICAL CENTER LINE FITTINGS FOR BLOWOUT WATER CLOSETS

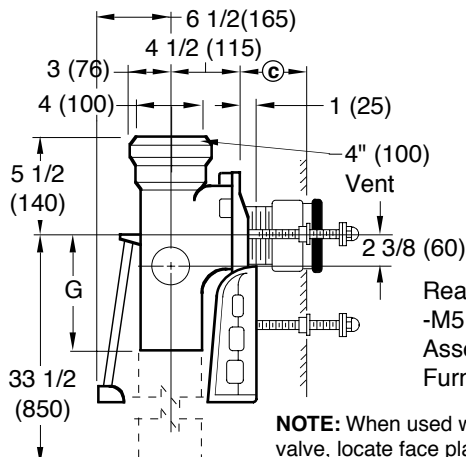
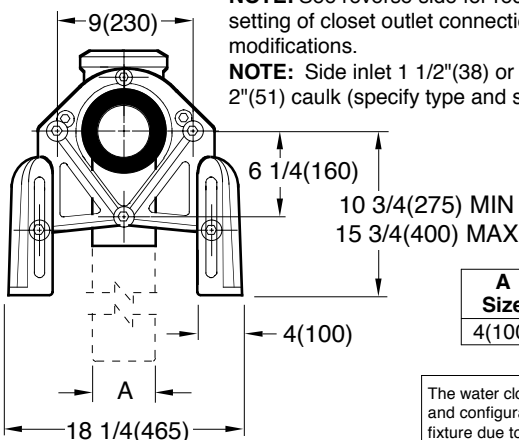


Fig. 0490 Side View



Front View

NOTE: When used with concealed flush valve, locate face plate behind supply pipe.
NOTE: Base support must be securely anchored to floor with four 1/2" (13) bolts provided by contractor.
NOTE: See reverse side for recommended setting of closet outlet connection and various modifications.
NOTE: Side inlet 1 1/2" (38) or 2" (51) N.P.T. or 2" (51) caulk (specify type and size)

Rear Support Lug and -M51 Anchor Foot Assembly Regularly Furnished.

| A Size | G | Caulk | Thread |
|--------|--------|--------|--------|
| 4(100) | 8(205) | 6(150) | |

The water closet gasket regularly furnished is made of molded neoprene and designed to fit water closet outlet dimensions and configurations shown in ANSI Standard A112.19.2M-1995, Figure 13B. If gasket is not found to be compatible to fixture due to nonconformance of said fixture to ANSI A112.19.2M, then fixture manufacturer shall be consulted for a suitable gasket recommendation. Jay R. Smith assumes no liability for connections to fixtures which do not conform to these standards.

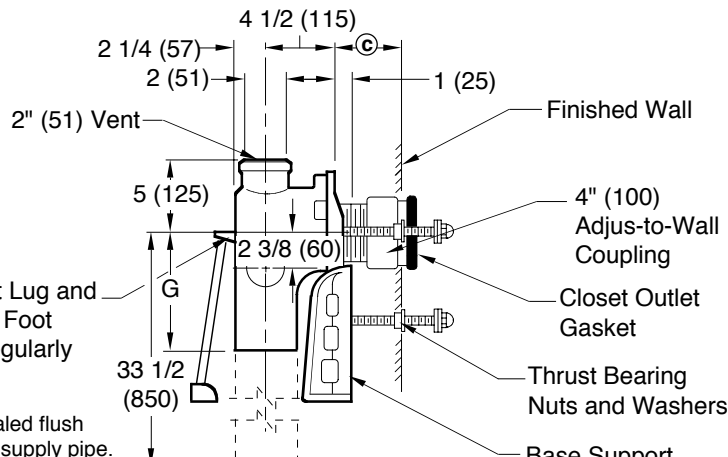


Fig. 0480 Side View

- WITH 2" (51) VENT
- Fig. 0480 . . . CAULK
 - Fig. 0480B . . . THREAD
 - Fig. 0487 . . . CAULK Long Barrel

- WITH 4" (100) VENT
- Fig. 0490 . . . CAULK
 - Fig. 0490B . . . THREAD
 - Fig. 0497 . . . CAULK Long Barrel

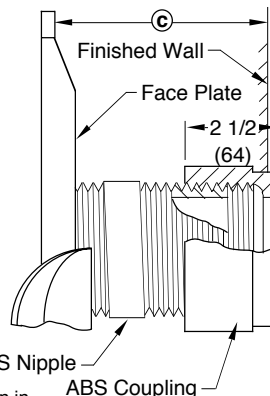
© DIMENSION - ADJUS-TO-WALL TYPE OUTLET CONNECTION

The Smith Adjus-to-Wall outlet connection provides adjustment at the face of the wall at the time the fixture is set; thus, compensating for wall construction variations. The © dimension is measured from the front of the face plate to the finished wall. To properly determine the length of nipple required, deduct 1" (25) from the © dimension. The Adjus-to-Wall coupling will provide 1/2" (13) horizontal adjustment in either direction with the coupling extended 5/16" (8) past face of the finished wall.

© dimension = 4" (100) (regularly furnished) consisting of nipple and Adjus-to-Wall coupling permitting adjustment from 3" (76) min. to 4" (100) max.

*ABS (Regularly Furnished) other lengths PVC.

NOTE: Dimensions shown in parentheses are in millimeters.



NIPPLE LENGTHS AVAILABLE

| LENGTH | MIN | © | MAX |
|--------------|--------------|--------------|-----|
| 2 1/2 (64) | 2 1/4 (57) | 3 1/4 (83) | |
| *3 1/4 (83) | 3 (76) | 4 (100) | |
| *8 1/4 (210) | 8 (205) | 9 (230) | |
| 10 (255) | 9 3/4 (250) | 10 3/4 (275) | |
| 12 (305) | 11 3/4 (300) | 12 3/4 (325) | |
| 15 (380) | 14 3/4 (375) | 15 3/4 (400) | |
| 18 (455) | 17 3/4 (450) | 18 3/4 (475) | |

NOTE: When nipple lengths between 3 1/4" (83) and 8 1/4" (210) are specified, the 8 1/4" (210) nipple will be supplied. Nipple must be cut to specified length by others.

| REV. | DATE | DESCRIPTION | BY | CKD. BY |
|------|----------|--------------------------------|-----|---------|
| G | 09/03/10 | Corrected View of Rear Support | JJ | CL |
| F | 7-1-98 | Submittal Update | ASL | BS |
| E | 1-28-98 | Added Millimeters | EMB | BS |

| | |
|---------------|-------------------|
| WEIGHT POUNDS | VOLUME CUBIC FEET |
|---------------|-------------------|

FIGURE NUMBER
0480,0490

MODIFICATIONS & VARIATIONS FOR SIPHON JET WATER CLOSETS

RECOMMENDED SETTING OF CLOSET OUTLET CONNECTION AND FIXTURE STUDS

Manufacturers have slight differences in the depth of the closet horn and flange thickness of their closets. Usually the fixture support closet connection should extend 5/16" (8) beyond face of finished wall (Dimension "R") and the fixture studs 2 1/4" (57) (Dimension "X"). For exact dimensions please use the formulas below.

DETAIL A Formula for "R" is: $S + 1/16" (2) - D = R$.
 S = Depth of closet horn
 1/16" (2) = Distance closet is to set away from finished wall.
 D = 1/2" (13) for felt gasket and 3/8" (10) for neoprene gasket.
 R = Distance coupling should extend beyond finished wall.
 NOTE: When the fixture is installed, closet gasket must be compressed sufficiently to assure a gas and water-tight seal.

DETAIL B Formula for "X" is: $Y + 1/16" (2) + 9/16" (14) = X$.
 Y = Thickness of closet wall flange.
 1/16" (2) = Distance closet is to set away from finished wall.
 X = Distance supporting stud should extend beyond finished wall.
 NOTE: Bearing nuts and washers must be set to take full loading from the fixture allowing 1/16" (2) clearance between fixture and wall.

NOTE: Dimensions shown in parentheses are in millimeters.

OPTIONAL CLOSET OUTLET CONNECTIONS

TYPE NO. 2

NOTE: Coupling should extend beyond the wall adequately to apply sufficient and uniform pressure on the gasket to produce a watertight seal. It is the Installer's responsibility to make this final adjustment.

The type 2M outlet connection is used with floor mounted back outlet bowls. The 2M connection is an integral nipple/coupling whose length is specified by the © dimension. The 2M can accommodate a smaller © dimension than the type 2 nipple/coupling.

| | MIN | © | MAX |
|----------------|-------------|--------------|-----|
| TYPE 2M | 1 1/4" (32) | 5 1/2" (140) | |

*Type No. 2 should be used when Max. dimension is exceeded.

SUFFIX -M12 EXPOSED FLUSH VALVE SUPPLY SUPPORT

Provides support and alignment for the supply pipe to an exposed flush valve; must be specified for either 1" (25) copper tube or 1" (25) iron pipe.

SUFFIX -M13 TILING FRAME - POLYSTYRENE

TYPE -M73 Closet outlet connector for use with stainless steel fixture

TYPE -M74 Closet outlet for use with stainless steel fixture

-M40 WATER CLOSET SUPPORT FOR WIDE PIPE CHASE

Illustration shows single installation. For double (back to back) installations specify whether -M40 variation is required on one side or both sides of pipe chase. When ordering, the pipe chase width and © dimension should also be specified.

| | | | | | | | | |
|---------------|------|-------------|--|---------|----|---------------|-------------------|---------------------------|
| FIGURE NUMBER | D | 2-27-12 | Rev. Note Type 2 outlet Added Note Added Millimeters | TBW | AM | WEIGHT POUNDS | VOLUME CUBIC FEET | FIGURE NUMBER |
| | C | 12-10-03 | | RN | | | | |
| | B | 2-26-96 | | EMB | BS | | | 100/400 Series Back Sheet |
| REV. | DATE | DESCRIPTION | BY | CKD. BY | | | | |