

P

**SMITH® JAY R. SMITH MFG. CO.®**  
 MEMBER OF MORRIS GROUP INTERNATIONAL  
 POST OFFICE BOX 3237  
 MONTGOMERY, ALABAMA 36109-0237 (USA)  
 TEL: 334-277-8520 FAX: 334-272-7396 www.jrsmith.com



LOCATION

DRAWING NUMBER  
S4250, 4261

SIZE  
A

SCALE:  
NONE

DATE:  
7-10-85

APPROVED BY:  
JM

CHECKED BY:  
BH

DRAWN BY:  
RK

4250, 4261

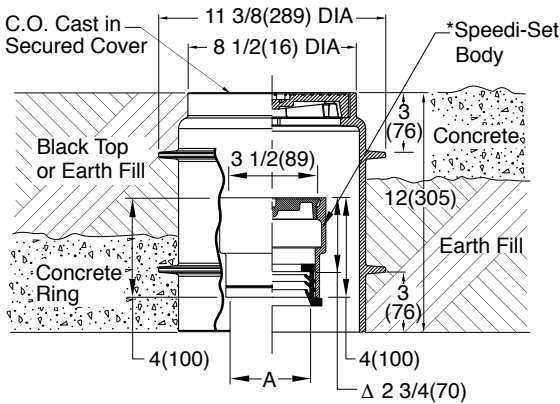
WE CAN ASSUME NO RESPONSIBILITY FOR USE OF SUPERSEDED OR VOID DATA

DIMENSIONS ARE SUBJECT TO MANUFACTURERS TOLERANCE AND CHANGE WITHOUT NOTICE

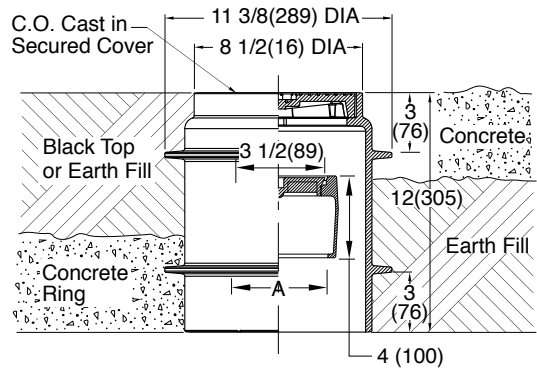
# FLOOR CLEANOUTS FOR UNFINISHED AREAS

## ROUND FLANGED HOUSING WITH HEAVY DUTY CAST IRON COVER

**FUNCTION:** Used in outside and inside areas. High flange permits use in areas surfaced with concrete or other poured materials. Low flange is used with a ring of concrete poured below the surface for non-surfaced areas and areas surfaced with asphalt paving. Housing is completely free of piping so that no loading is transmitted to the pipe.



"A" (Pipe Size) = 02(50), 03(75), 04(100) or 05(125)



"A" (Pipe Size) = 02(50), 03(75) or 04(100)

### NO-HUB OUTLET

<input type="checkbox"/>	Fig. 4250S
<input type="checkbox"/>	Fig. 4251S
<input type="checkbox"/>	Fig. 4253S
<input type="checkbox"/>	Fig. 4254S

### SPEEDI-SET\* ΔΔ

<input type="checkbox"/>	4261L
<input type="checkbox"/>	4262L
<input type="checkbox"/>	4263L
<input type="checkbox"/>	4264L

<input type="checkbox"/>	Gasket Seal - ABS Plug***
<input type="checkbox"/>	Gasket Seal - Bronze Plug
<input type="checkbox"/>	Taper Thread - Bronze Plug
<input type="checkbox"/>	Taper Thread - ABS Plug

### INSIDE CAULK OUTLET

<input type="checkbox"/>	Fig. 4255C
<input type="checkbox"/>	Fig. 4256C
<input type="checkbox"/>	Fig. 4258C
<input type="checkbox"/>	Fig. 4259C

\*Speedi-Set available in 02(50), 03(75) and 04(100) inch sizes only  
 \*\*\*ABS plug regularly furnished all outlets in 02(50), 03(75) and 04(100) inch sizes and 05(125) inch spigot.  
 Δ This Dimension to Internal Stop of Speedi-Set Gasket.  
 ΔΔ Available in Extra Heavy, Service Weight or NO-HUB.

### REGULARLY FURNISHED:

Duco Cast Iron Cleanout and Double Flanged Housing with Heavy Duty Secured Scoriated Cast Iron Cover with Lifting Device. Closure Plug and Type of Outlet as Indicated By Figure Number Selected.

### VARIATIONS:

- Cover Cast with Words "Gas Shut-Off" -GSO or "Water Shut-Off" -WSO
- Less Ferrule and Plug (See Fig. 4880)
- Vandal Proof Top -U

### OPTIONAL MATERIALS:

- Galvanized Cast Iron -G
- Ductile Iron Cover -M
- Nickel Bronze Top -NB
- Polished Bronze Top -PB

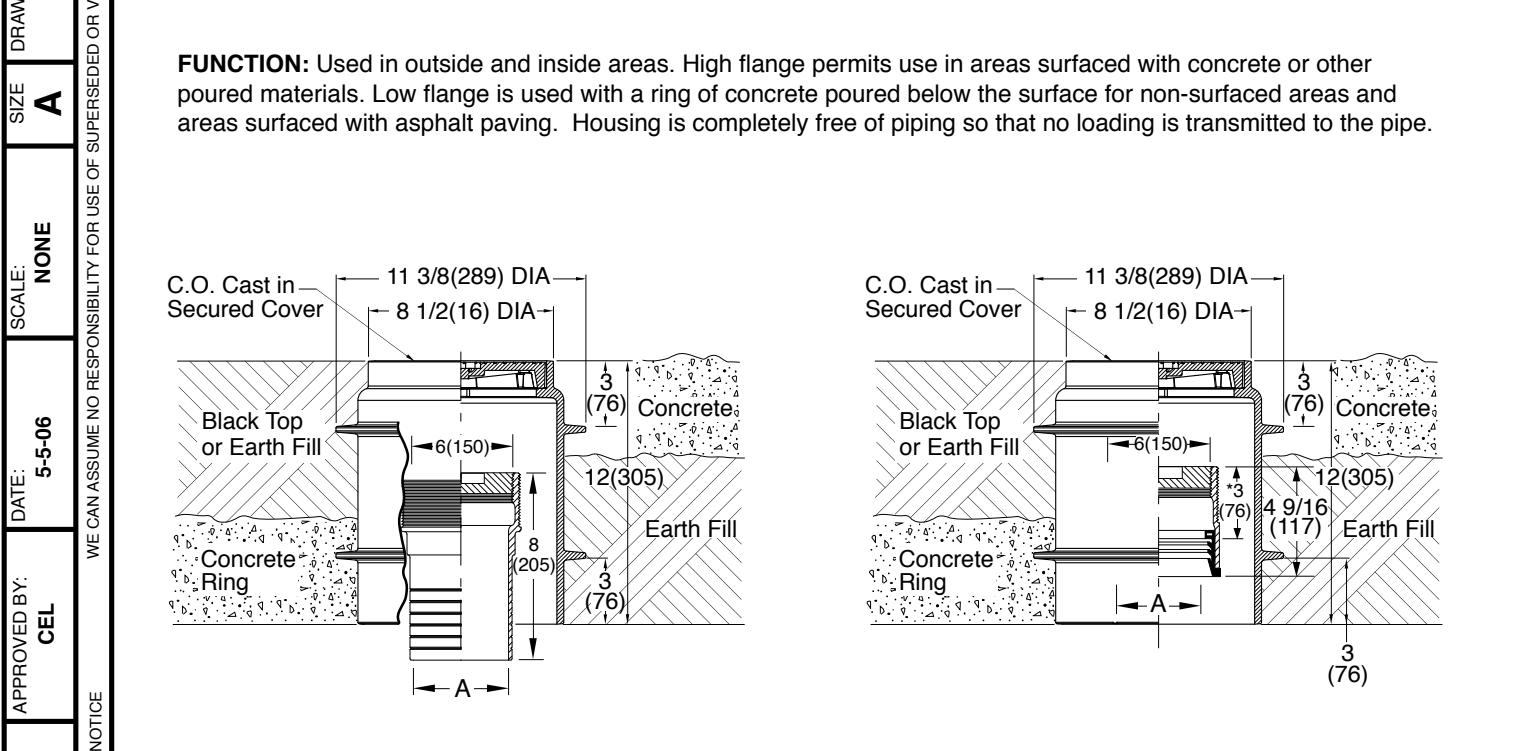
NOTE: Dimensions shown in parentheses are in millimeters.

P	11-15-17	Revised Optional Materials	TBW	CL	WEIGHT POUNDS	VOLUME CUBIC FEET	FIGURE NUMBER <b>4250, 4261</b>
N	11-14-16	Revised Drawing, New Body Style	TBW	CL			
M	12-7-15	Revised Optional Materials	TBW	CL			
L	05/07/01	Edited Outlet Text	JJ	BS			
REV.	DATE	DESCRIPTION	BY	CKD. BY			

# FLOOR CLEANOUTS FOR UNFINISHED AREAS

## ROUND FLANGED HOUSING WITH HEAVY DUTY CAST IRON COVER

**FUNCTION:** Used in outside and inside areas. High flange permits use in areas surfaced with concrete or other poured materials. Low flange is used with a ring of concrete poured below the surface for non-surfaced areas and areas surfaced with asphalt paving. Housing is completely free of piping so that no loading is transmitted to the pipe.



"A" (Pipe Size) = 06(150) or 08(200) "A" (Pipe Size) = 06(150)

**SPIGOT OUTLET\*\*** **SPEEDI-SET ▲**  
 Fig. 4253S ..... Taper Thread - Bronze Plug .....  Fig. 4263L

\*\*Sized for Service Weight and/or NO-HUB. \*This Dimension to Internal Stop of Speedi-Seal Gasket  
 ▲ Available in "L" Service Weight, "LXH" Extra Heavy or "LPVC" PVC or ABS. "LPVC" applicable to 06(150) pipe size only.

<p><b>REGULARLY FURNISHED:</b>          Duco Cast Iron Cleanout with Taper Thread Bronze Plug and Double Flanged Housing with Heavy Duty Secured Scoriated Cast Iron Cover with Lifting Device.</p>	<p><b>VARIATIONS:</b></p> <input type="checkbox"/> Cover Cast with Words "Gas Shut-Off" -GSO or "Water Shut-Off" -WSO <input type="checkbox"/> Less Ferrule and Plug (See Fig. 4880) <input type="checkbox"/> Vandal Proof Top -U	<p><b>OPTIONAL MATERIALS:</b></p> <input type="checkbox"/> Galvanized Cast Iron -G <input type="checkbox"/> Ductile Iron Cover -M <input type="checkbox"/> Nickel Bronze Top -NB <input type="checkbox"/> Polished Bronze Top -PB
---	---	--

**NOTE:** Dimensions shown in parentheses are in millimeters.

FIGURE NUMBER	<b>4253, 4263</b>	REV.	DATE	DESCRIPTION	BY	CKD. BY	WEIGHT POUNDS	VOLUME CUBIC FEET	<b>FIGURE NUMBER</b> <b>4253, 4263</b>
		C	11-15-17	Revised Optional Materials	TBW	CL			
		B	11-15-16	Revised Drawing	TBW	CL			
		A	12-7-15	Revised Optional Materials	TBW	CL			