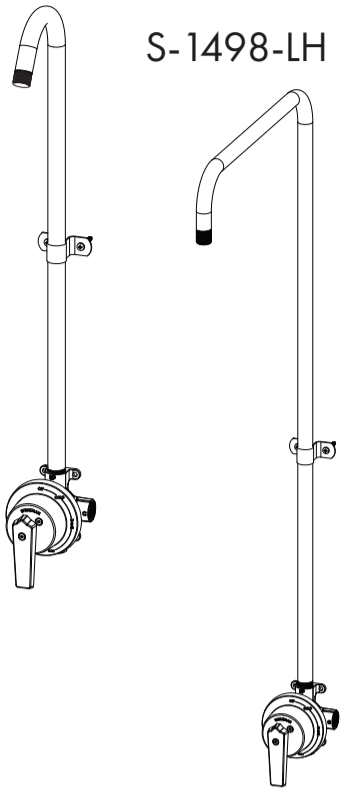


INSTRUCTIONS FOR MODELS

S-1496-LH

S-1498-LH



NEED HELP?

For additional assistance or service please contact:

SPEAKMAN®

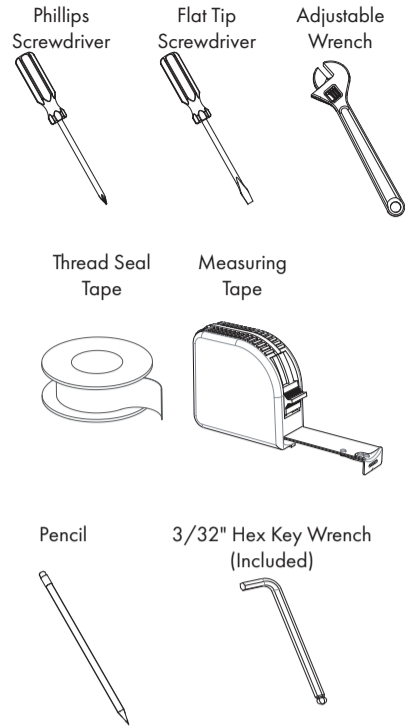
800-537-2107

customerservice@speakman.com

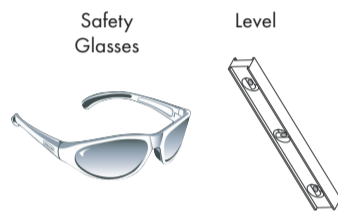
www.speakman.com

92-S-1496-LH-98-05

TOOLS AND SUPPLIES



HELPFUL TOOLS & SUPPLIES:



IMPORTANT

- Be sure to read instructions thoroughly before beginning installation.
- Be sure to have properly adjusted the Temperature Limiting Stop (TLS) as outlined in this Installation Manual.
- Inspect all connections after installation of valve.
- This valve has an operating range of 20-80 Psi.
- This valve is designed to be used in conjunction with a shower head rated at 1.75 gpm (6.6 L/min) or higher flow rate.
- **NOTE:** This installation manual covers several models of valves. While the appearance of your valve may differ from those shown, the installation method is the same.
- Maximum water pressure: 125 psi static; minimum water pressure: 20 psi flowing; minimum cold supply temperature: 40 °F; maximum hot supply temperature: 160 °F.

SAFETY TIPS

Cover your drain to prevent loss of parts. Be sure to wear eye protection while cutting pipe.

MAINTENANCE

Your new Shower/Bath Valve is designed for years of trouble-free performance. Keep it looking new by cleaning it periodically with a soft cloth. The use of harsh chemicals and abrasives on any of the Speakman custom finish products may damage the finish and void the product warranty. Please be sure to only use approved cleaners. Please contact Speakman for any clarification of acceptable cleaners.

This type of valve must be cleaned and maintained on a regular basis. Periodic maintenance should be performed at least every 12 months or after any changes have been made to the building's plumbing system. Valves that are installed outdoors should be winterized by removing all of the internal parts and removing any standing water from the valve. Quarterly the maximum hot temperature setting (TLS) should be checked and adjusted accordingly.

WARRANTY

Warranty information can be found at: www.speakman.com

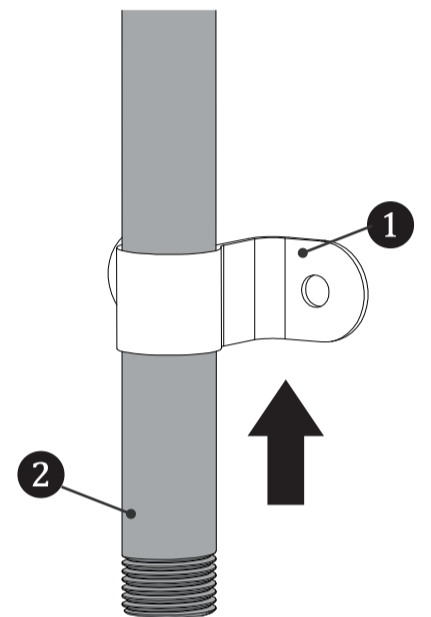
FREEZE PROTECTION

- Mounting location must be capable of supporting the product in use.

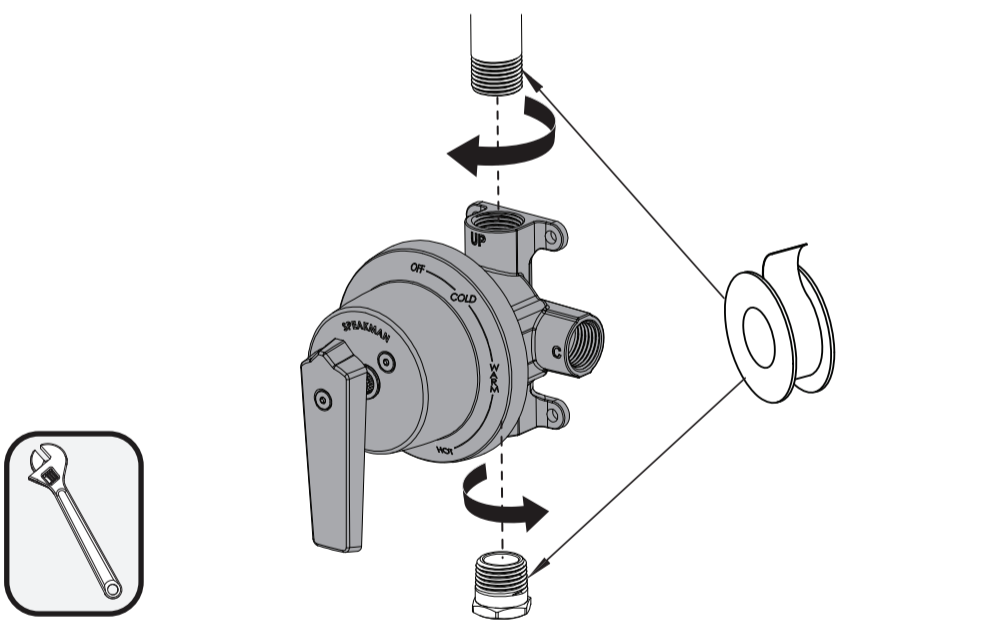
Freeze damage to the shower unit will void the warranty. It is important to winterize the complete shower unit. The unit must be drained of all water in freezing conditions. This includes removing the valve cartridge and the shower head from the unit. Store the valve cartridge and shower head indoors.

CAUTION: When outdoor temperature rises above 90 degrees, use caution to prevent scalding from water stored within the unit. It is recommended to flush the unit by turning it on for 30 seconds before entering the shower water. This will avoid accidental scalding by the user and ensure safe use of the shower unit.

1 Slide the Strap (1) onto the Shower Arm (2).

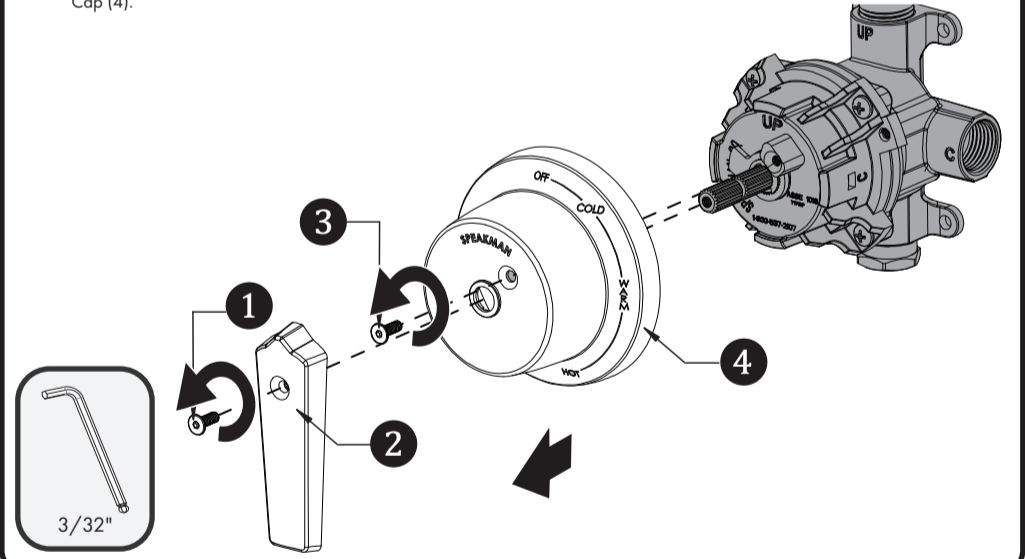


2 Apply Thread Seal Tape to both ends of Shower Arm Gooseneck, and Bottom Plug. Thread Shower Arm Gooseneck into Valve Body being sure to properly align outlet. Install Plug into bottom port of Valve Body and Wrench tighten.



3 HANDLE AND DIAL CAP REMOVAL

The Handle and Dial Cap must be removed for proper mounting of the Shower Valve and to adjust the Temperature Limit Stop. Remove the Handle Screw (1), then slide the Handle (2) off. Remove the Dial Cap Screw (3) followed by sliding off the Dial Cap (4).

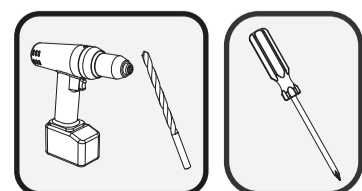
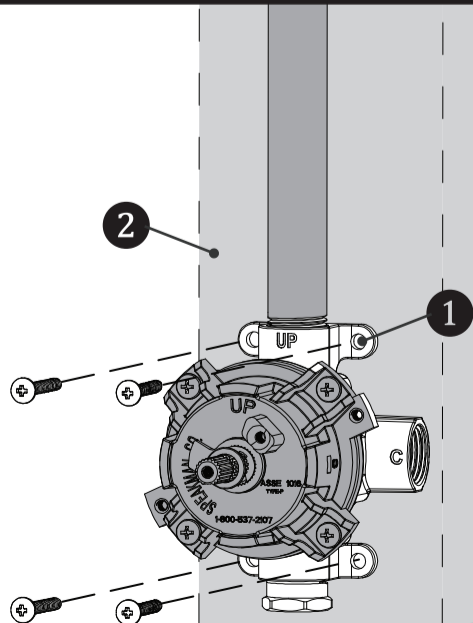


4 **Mounting location of Shower Valve.** Determine mounting location of Shower Valve. (See Rough-In Diagram located at the end of this document).

Secure with Mounting Screws (not included) to structure capable of supporting the product in use.

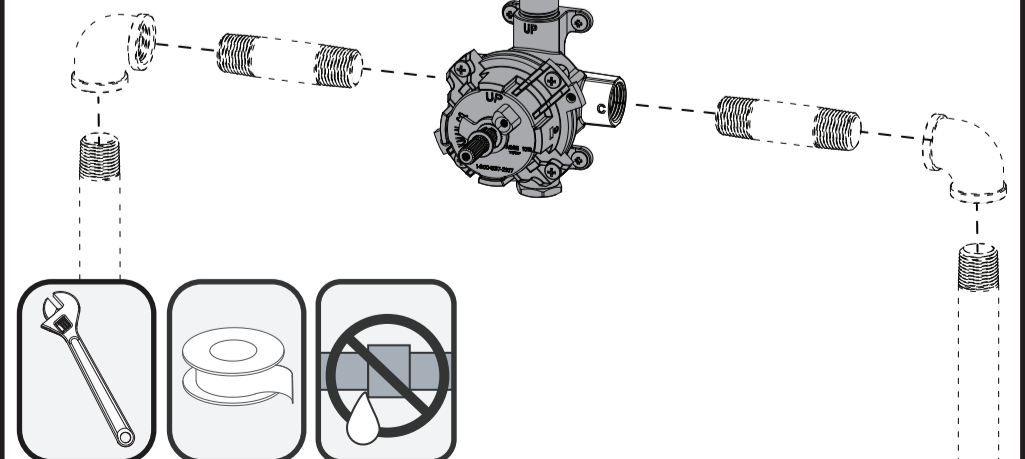
Ensure there is adequate distance between the Valve and mounting structure to allow for installation of Water Supply lines.

Note: A Spacer Block with a thickness of 1/2"-9/16" is required between the Shower Valve (1) and the Mounting Structure (2) only. This is to allow for adequate clearance while installing inlet supply lines.



5 Apply Thread Seal Tape to HOT and COLD Pipe Connections (not supplied). Install the HOT and COLD Pipe Connections to the Valve accordingly, either through the wall, from the ceiling, or from the floor. For ceiling and floor mounts, hold 1" from finished wall to center of supply lines. Thread into Valve Body and Wrench tighten. Turn on water supply and check for leaks.

NOTE: Illustration shown is for reference only.



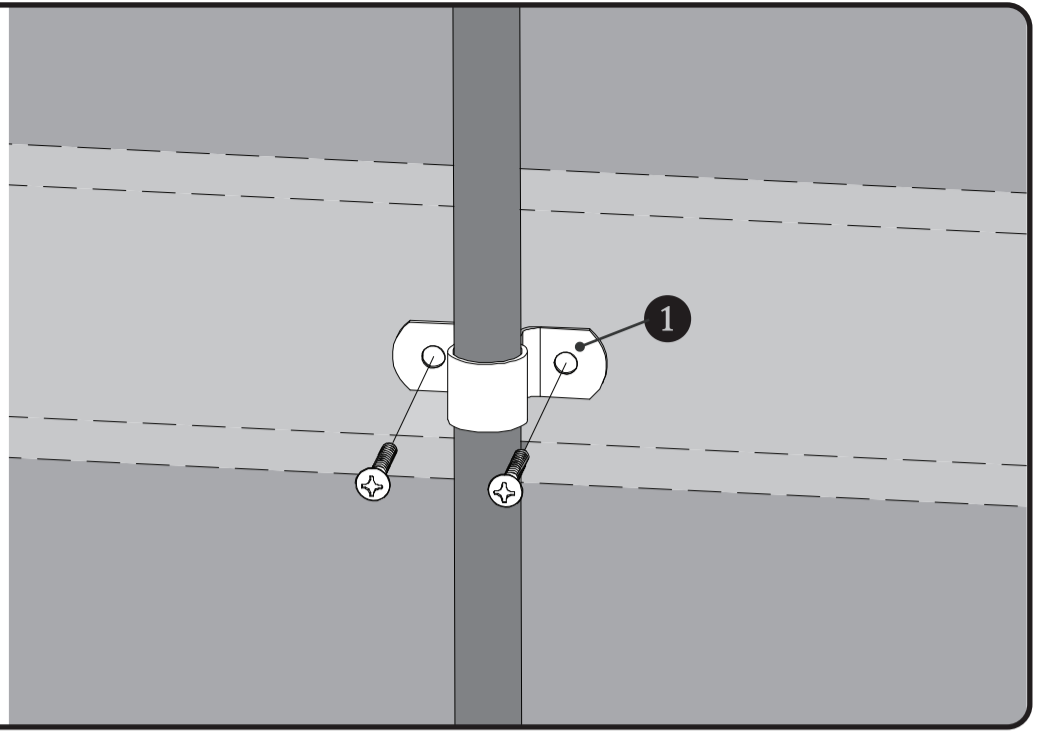
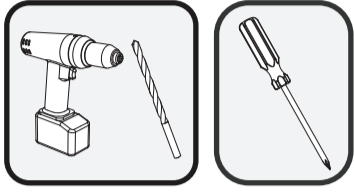
6 Mounting location of Shower Arm Strap is variable but required. Verify that the mounting location and structure is capable of supporting the product in use.

Mark location of mounting holes for Shower Arm Strap (1) referencing the rough-in diagram contained in this document.

Install Shower Arm Strap (1) to upper pipe using Supplied Screws. In drywall or tile applications, be sure to use appropriate hardware.

If you are performing a **Standard Installation**, please skip to **STEP 9**.

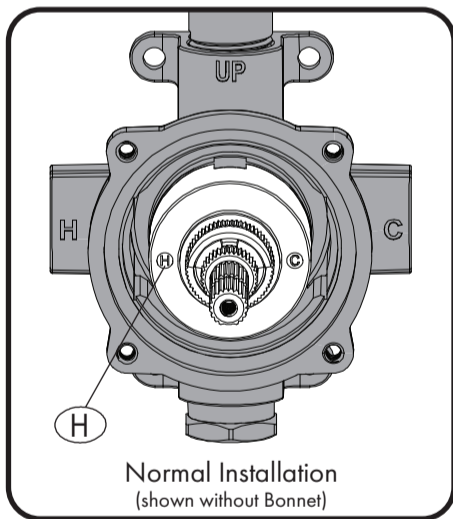
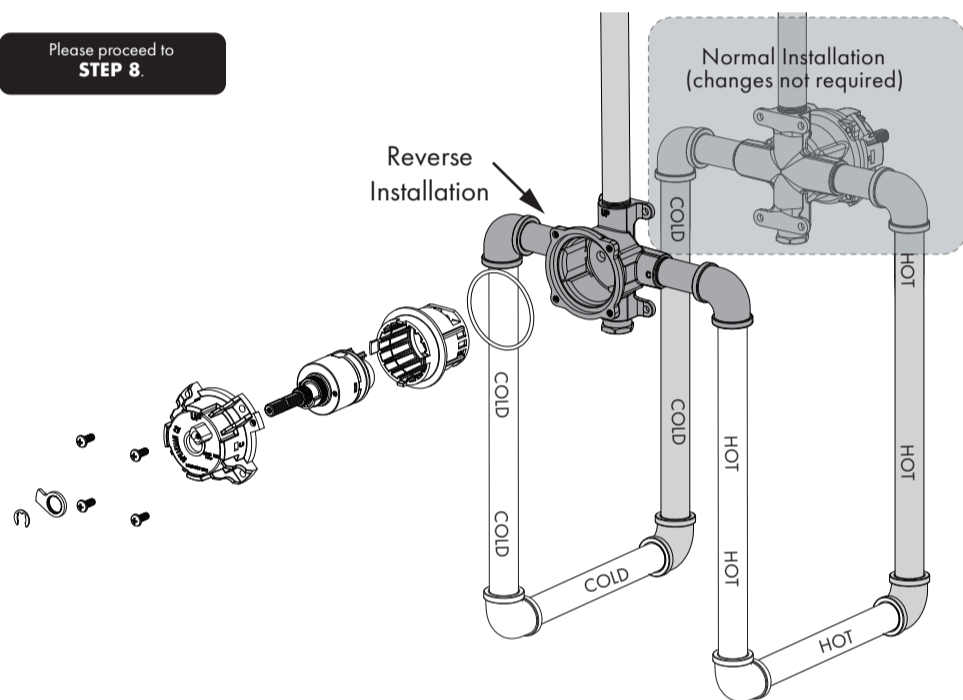
If you are performing a **Back-to-Back Installation**, please continue to **STEPS 7 & 8**.



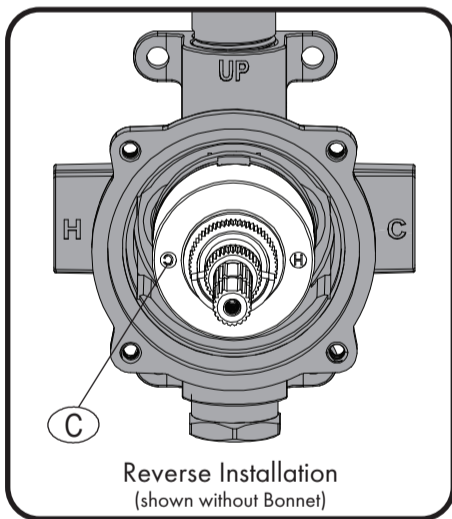
7 BACK-TO-BACK INSTALLATION

Your Shower Valve has the ability to be mounted back-to-back with another Valve in a shared space. This means the HOT and COLD inlets may be reversed. Please see the following steps to adapt your valve for back-to-back mounting or reversed inlet supplies. If the HOT and COLD water supplies are reversed (HOT on right and COLD on left), disassemble Valve Cartridge as outlined in **STEP 8**.

Please proceed to **STEP 8**.



Normal Installation (shown without Bonnet)



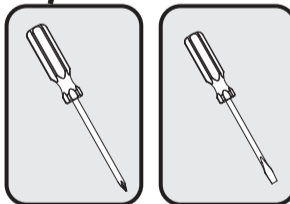
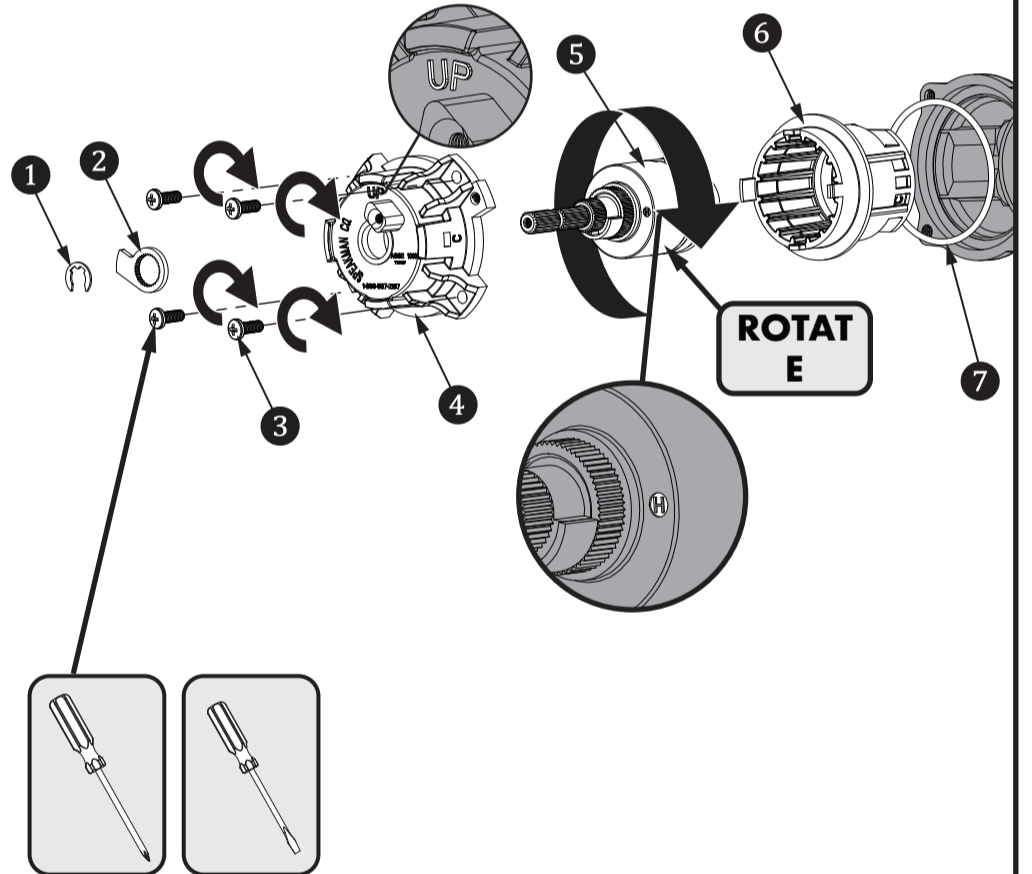
Reverse Installation (shown without Bonnet)

NOTE: Never install the valve body upside down!

8 VALVE CARTRIDGE ADJUSTMENT/RE-INSTALLATION

Ensure that the water supplies are turned "OFF". Adjust the Cartridge Assembly by following the steps below.

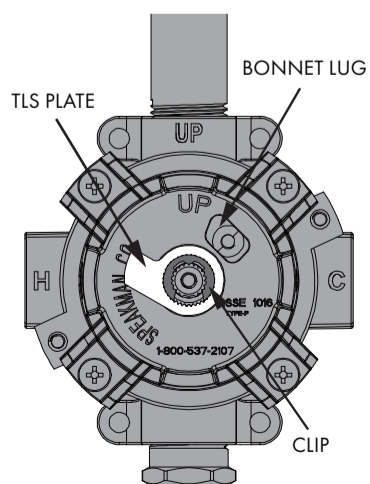
- Gently remove the Retaining Clip (1) and TLS Plate (2) and keep them aside for later use.
- Using a Phillips Head Screwdriver, remove the four (x4) Bonnet Screws (3).
- Pull out the Cartridge assembly from the Valve Body.
- Using a Flat Tip Screwdriver, separate the Bonnet (4) from the Cartridge Housing (6) by gently prying between the Flange of the Bonnet (4) and Cartridge Housing (6) to release the engagement.
- Pull out the Cartridge (5) from the Housing (6).
- Rotate the Cartridge (5) 180° so the "H" is now present at the 3 o'clock position.
- Insert the Cartridge (5) into the Cartridge Housing (6).
- Position the Bonnet (4) over the Cartridge (5) and snap the Bonnet (4) into the Cartridge Housing (6) while aligning the tabs and slots accordingly.
- Reinstall the Cartridge Assembly into the Valve Body while ensuring the Large O-Ring (7) is properly seated.
- Secure the Cartridge Assembly with the four (x4) Bonnet Screws (3).
- See **STEP 9** for TLS Adjustment and re-installation of the TLS Plate (2) and Retaining Clip (1).



9 TEMPERATURE LIMIT ADJUSTMENT

The maximum outlet temperature setting adjustment (Temperature Limit Stop (TLS)) of the Valve has been factory set at 110° F. To adjust the limit of the maximum outlet temperature the Valve delivers, adjust the Valve's temperature limit stop (TLS) Plate.

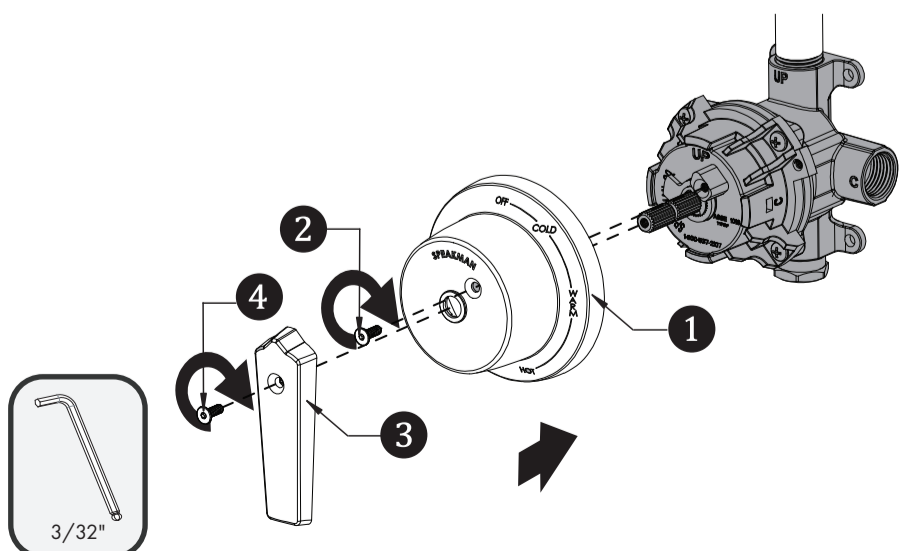
- Slip the Retaining Clip away from the Spindle and the TLS Plate towards the end of the Spindle.
- With the water supplies "On", rotate the Valve Spindle clockwise to the maximum desired outlet temperature.
- Position the TLS Plate so it contacts the Lug on the Bonnet and therefore restricts the clockwise rotation of the Spindle.
- Slip the Retaining Clip back into the groove of the Spindle to hold the TLS plate in place.
- Rotate the Spindle counter-clockwise to the "Off" position.



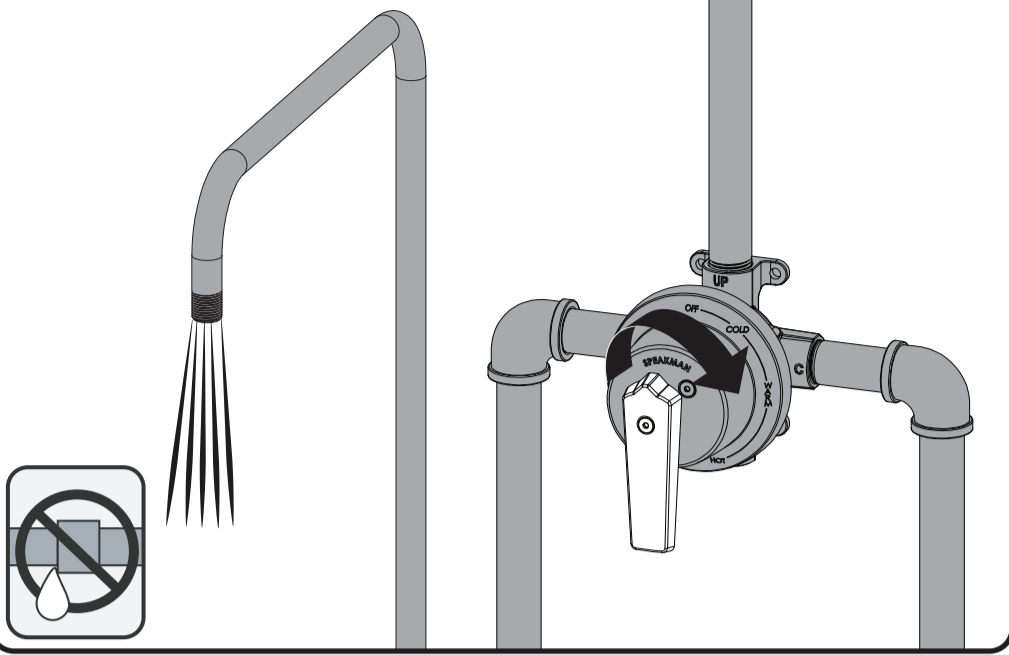
NOTE: A thermometer can be held at the Valve outlet to aid in either checking the existing factory setting or reaching the desired outlet temperature.

10 HANDLE AND DIAL CAP INSTALLATION

Slide on the Dial Cap (1) onto the Bonnet. Tighten in place with the Dial Cap Screw (2). Slide the Handle (3) onto the Valve post. Then secure into position with Handle Screw (4).

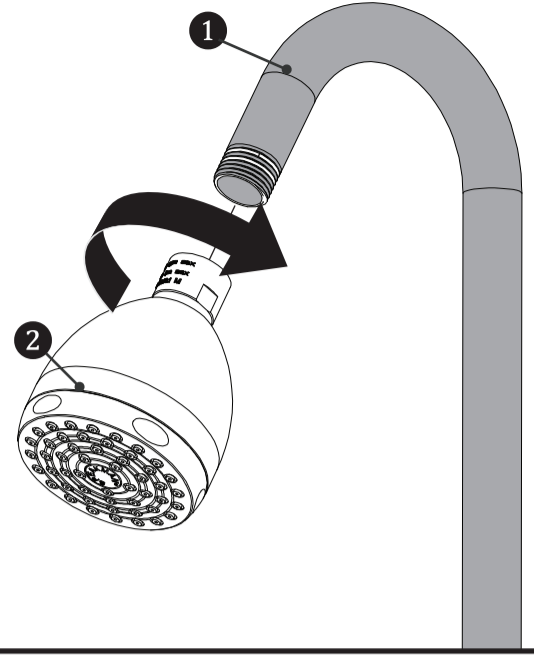
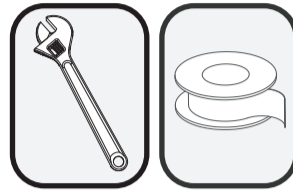


11 Turn on water supplies. Turn on Valve to the "WARM" position and flush for 1 minute.



12 To install a Shower Head (not included), apply Thread Seal Tape to threads of Shower Arm (1). Thread Shower Head (2) onto Shower Arm (1) and tighten with Adjustable Wrench. Check all connections for leaks.

NOTE: Shower head not included with all models. Shown for reference only.



SERVICE INSTRUCTIONS

SPEAKMAN®

Service Instructions

Caution- Any repair or servicing of the Valve may effect the maximum outlet temperature setting of the Valve. After working on the Valve, make sure the maximum outlet temperature is set to the recommended setting of 110 °F.

Cartridge Removal: see STEP 8.

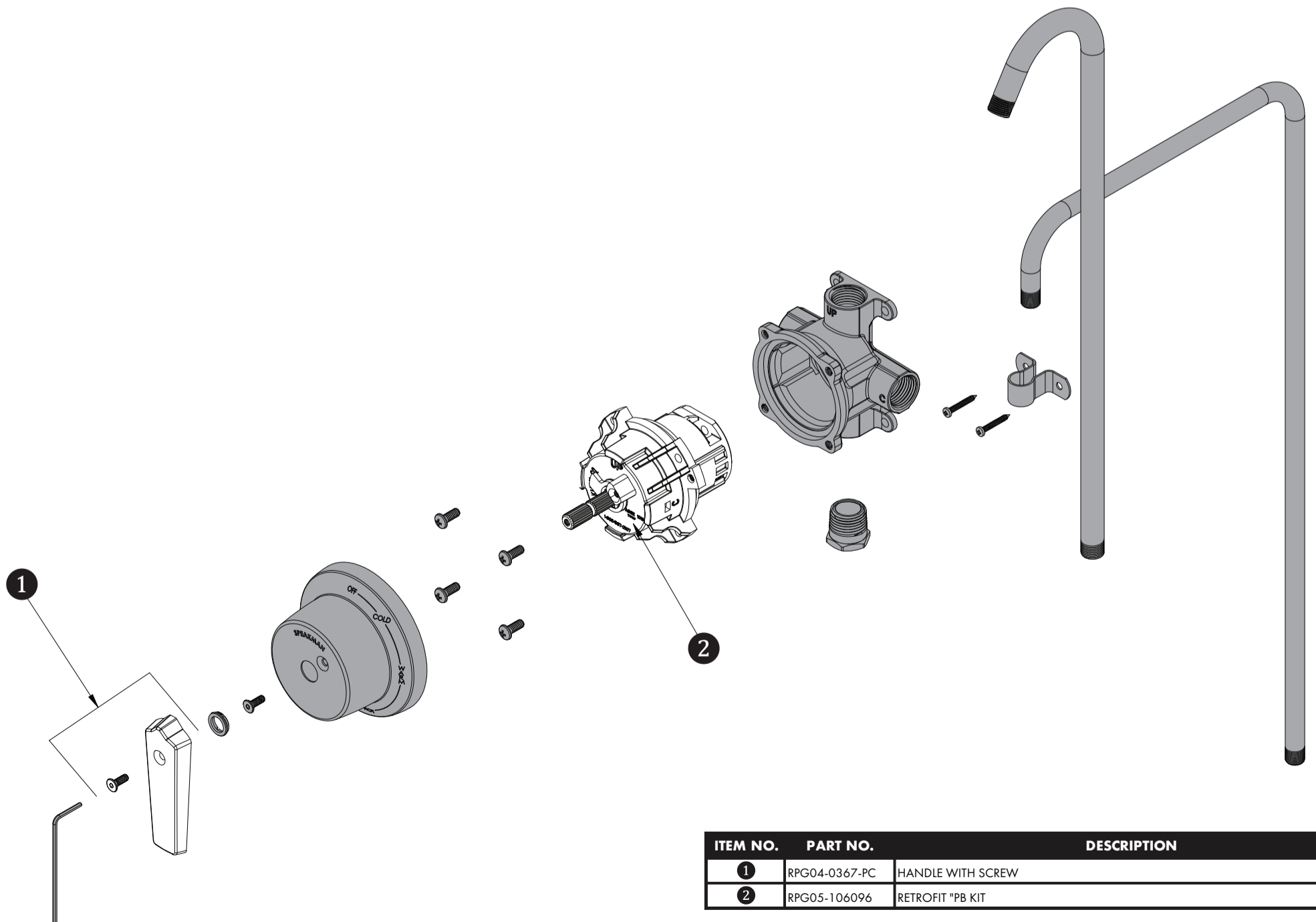
- 1) Shut off the HOT & COLD water supplies to the Valve.
- 2). Remove Valve Handle and the Dial Plate as outlined in **STEP 3**.
- 3) With the Valve in the "OFF" position, remove the four (x4) Valve Bonnet Screws. Carefully remove the Cartridge Assembly. Ensure nothing is left over in the Valve Body cavity.

4) Replace with new Cartridge Assembly. Make sure the Large Bonnet O-Ring Seal is installed and seated properly in the Valve Body. Reassemble the Cartridge Assembly, making sure the "UP" on the Bonnet is in the up position. Tighten the four (x4) Bonnet Screws. Turn "ON" the HOT & COLD water supplies. Check the Valve for leaks.

- 5) To limit the maximum outlet temperature the Valve delivers, **see STEP 9**.
- 6) Reassemble the Dial Plate and the Handle as outlined in **STEP 10**.

S-1496-LH / S-1498-LH REPAIR PARTS


SPEAKMAN®



ITEM NO.	PART NO.	DESCRIPTION
1	RPG04-0367-PC	HANDLE WITH SCREW
2	RPG05-106096	RETROFIT "PB KIT"

NOTES:

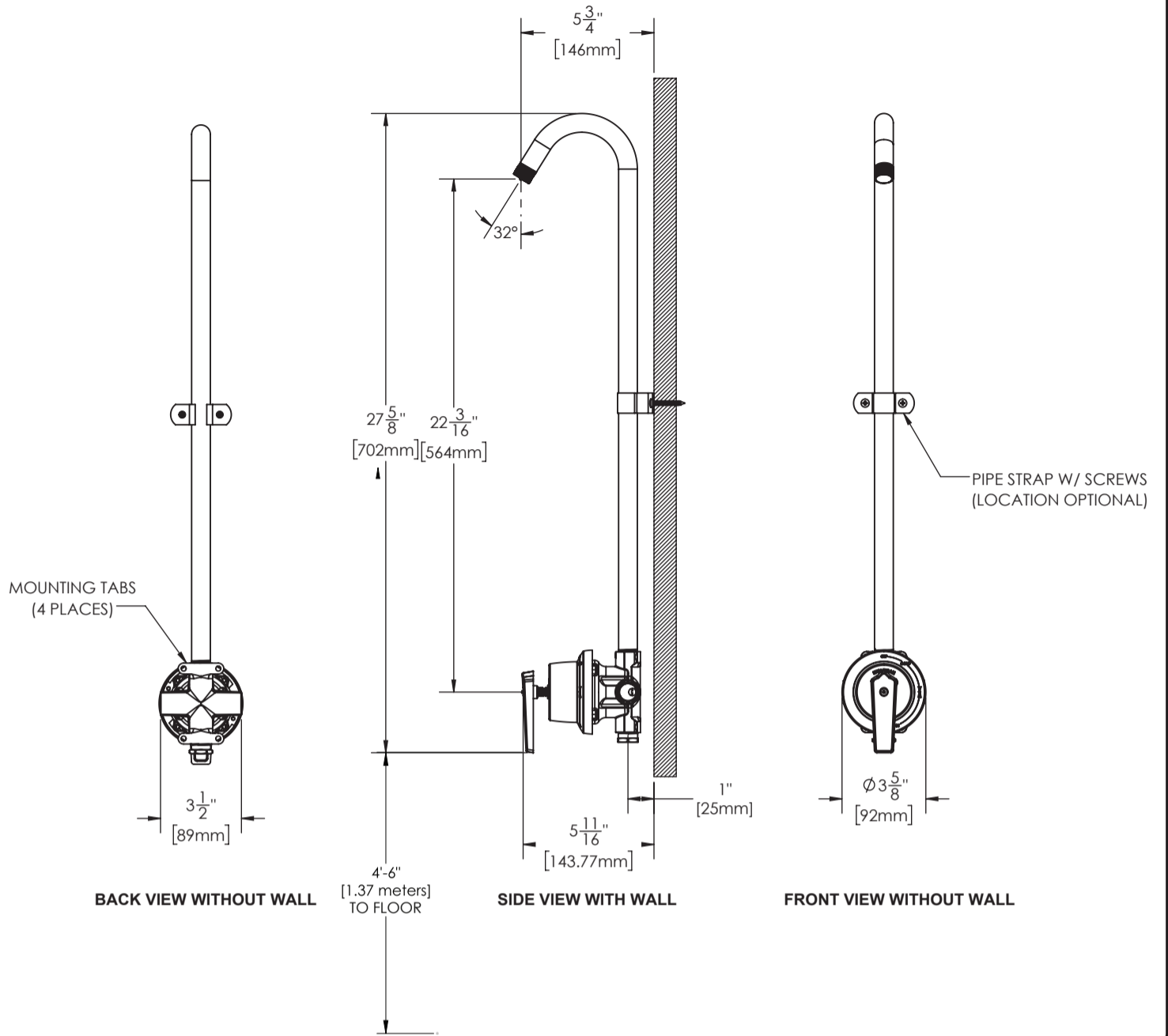
COMPLIANCE:

ASME A112.18.1/CSA B 125.1
 ASSE 1016
 ADA 

CONNECTIONS:

- Inlet: 1/2" NPT Female


Contractor to supply necessary inlet connections.



DIMENSIONS SUBJECT TO CHANGE WITHOUT NOTICE.

NOTES:

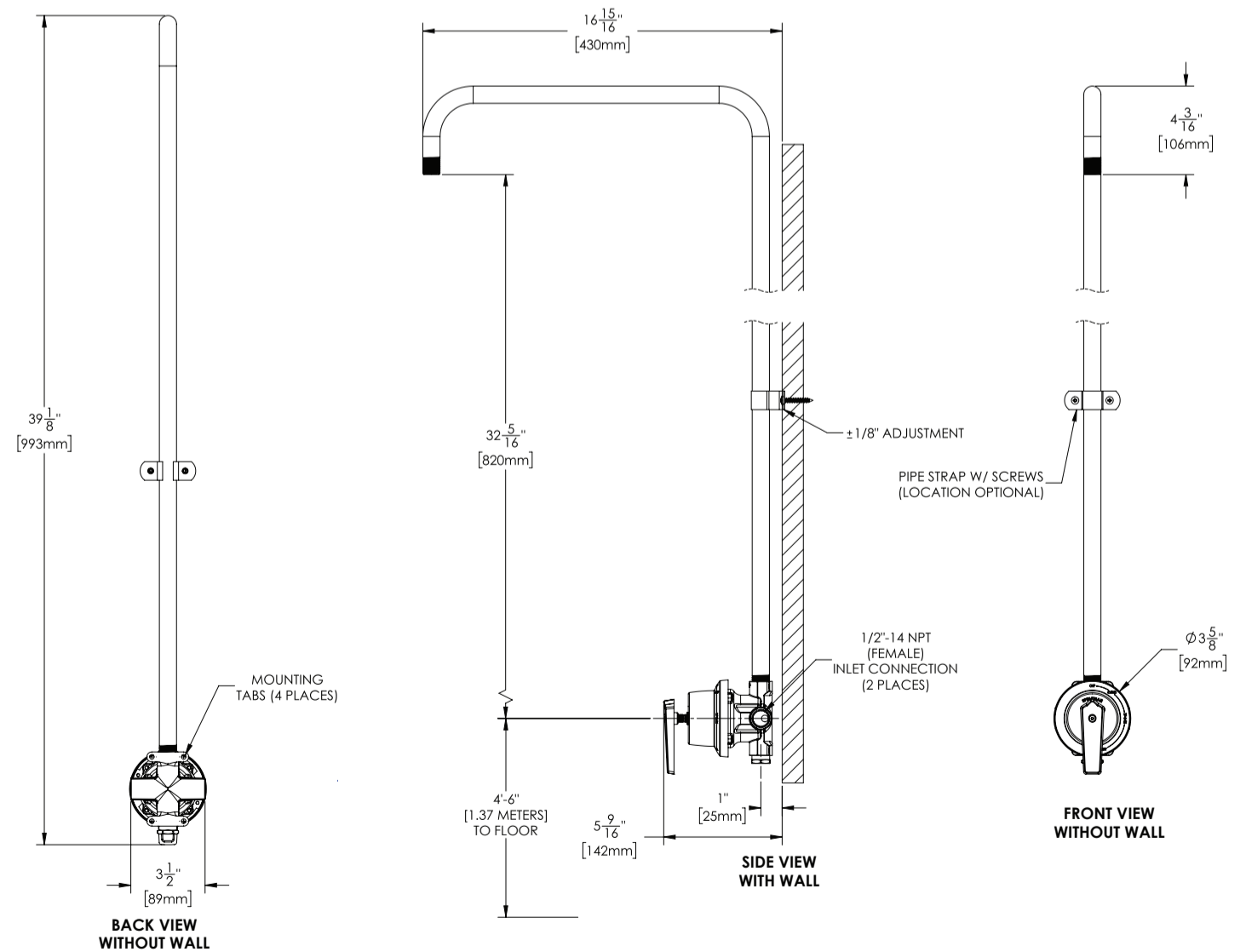
COMPLIANCE:

ASME A112.18.1/CSA B 125.1
 ASSE 1016
 ADA 

CONNECTIONS:

- Inlet: 1/2" NPT Female
- Outlet: 1/2" NPT Male (Shower Arm)

Contractor to supply necessary inlet connections.



DIMENSIONS SUBJECT TO CHANGE WITHOUT NOTICE.