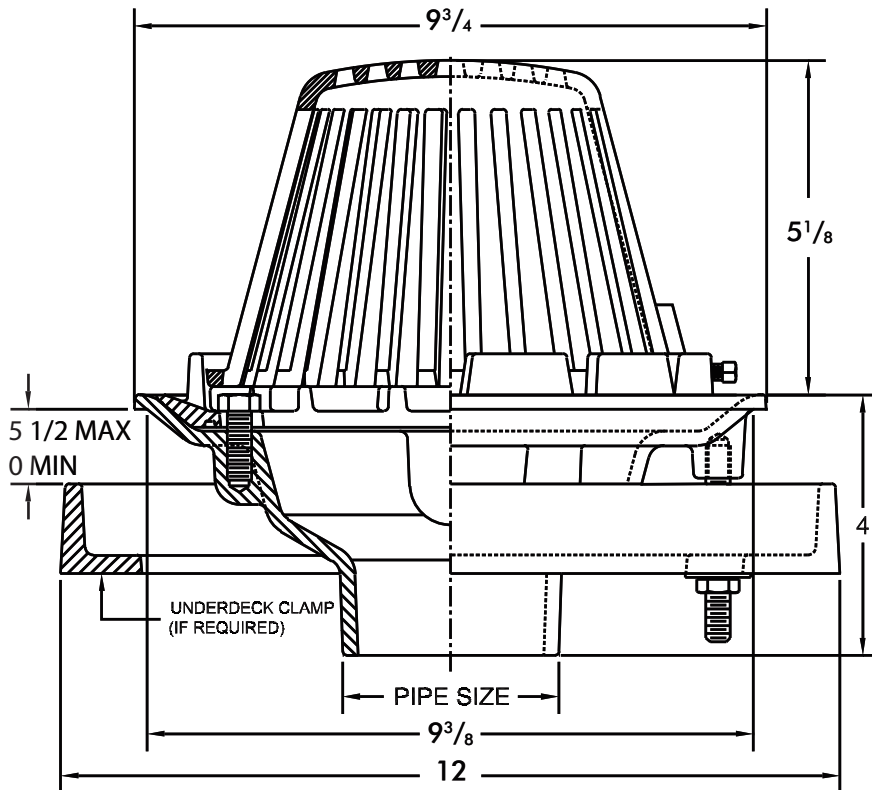


Small Roof Drains



3200 Cast iron roof drain with flashing clamp integral with gravel stop, cast iron beehive dome strainer and No-Hub bottom outlet.



Cat. No.	Pipe Size	Wt. Lbs.
<input type="checkbox"/> 3202	2	19.0
<input type="checkbox"/> 3203	3	19.0
<input type="checkbox"/> 3204	4	19.0
<input type="checkbox"/> 3206	6	24.0

OUTLET:

- NH No-Hub

VARIATIONS

Suffix	Description
<input type="checkbox"/> DF	Extension Flange (2" High)
<input type="checkbox"/> DFS.....	Perforated Extension (2",3",4")
<input type="checkbox"/> D	Dam (2" High)

OPTIONS

Suffix	Description
<input type="checkbox"/> 1	Nickel Bronze Veneer Top
<input type="checkbox"/> 5.....	Vandal Proof (Secured Dome)
<input type="checkbox"/> 39.....	Galvanized
<input type="checkbox"/> 46.....	Aluminum Dome
<input type="checkbox"/> 52.....	Bearing Pan
<input type="checkbox"/> 53.....	Deck Clamp