

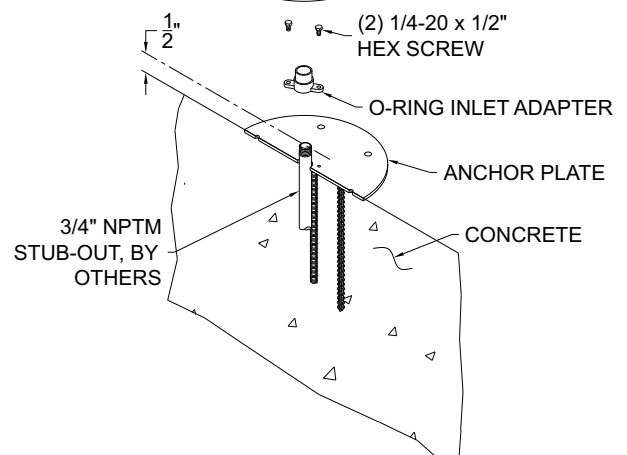
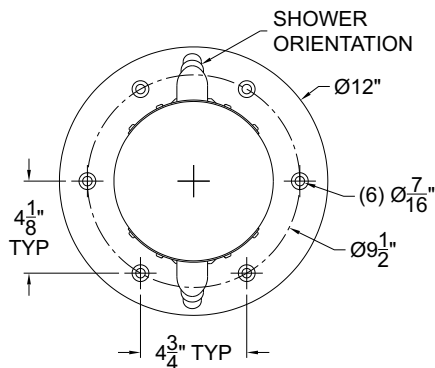
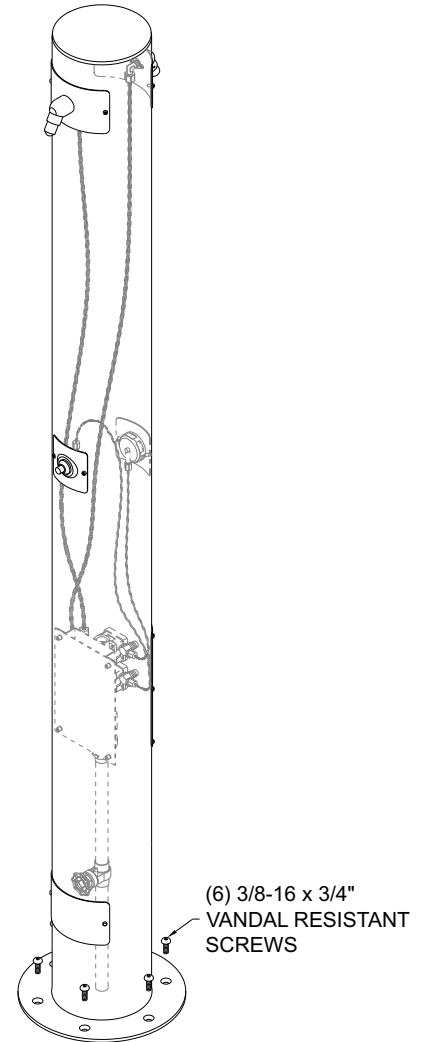


OUTDOOR SHOWERS INSTALLATION/MAINTENANCE INSTRUCTIONS

INSTALLATION INSTRUCTIONS FOR M-PCS24 OUTDOOR SHOWER

Prior to installation:

- ❖ Read all instructions and refer to local codes.
 - ❖ Supply line must be flushed of all foreign materials such as pipe dope, chips, etc.
 - ❖ Shower piping and valve must be drained prior to being subjected to freezing temperatures.
 - ❖ Maximum recommended working water pressure is 100 psi.
- 1.) Refer to roughs for desired location of the shower head.
 - 2.) Install vandal resistant fasteners into anchor plate prior to pouring concrete to keep threads on anchor plate clean of concrete.
 - 3.) Tap anchor plate into ground and check that anchor plate is level and even with the floor.
 - 4.) Install supply line with 1/2" stub out above anchor plate.
 - 5.) Assemble O-Ring adapter to supply stub out, aligning mounting holes on O-Ring adapter to holes on anchor plate and secure with provided hex screws.
 - 6.) Pour concrete until it is level with top of anchor plate.
 - 7.) Remove vandal resistant fasteners from anchor plate and position fixture over anchor plate while engaging O-Ring connection and aligning mounting points.
 - 8.) Secure fixture with vandal resistant fasteners.
 - 9.) Turn on water supply and test for leaks.



Please visit www.murdockmfg.com for most current specifications.