

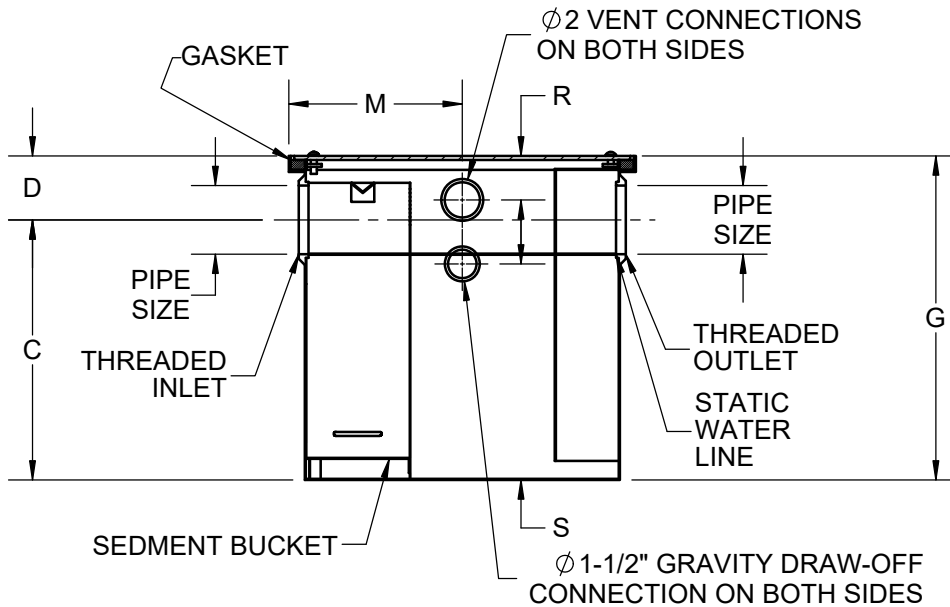
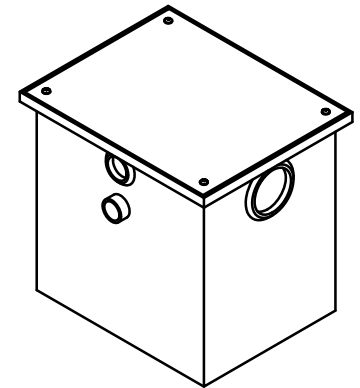
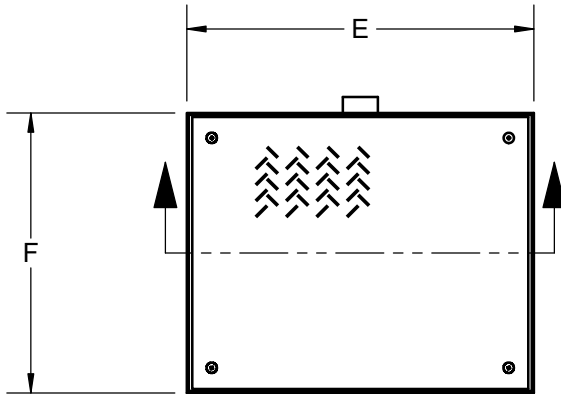
SPECIFICATION:

JOSAM 60500B SERIES EPOXY COATED FABRICATED STEEL OIL SEPARATOR, THREADED CONNECTIONS, INTERNAL TRAP, SEDIMENT BUCKET, TWO-VENT CONNECTIONS ON EACH SIDE, GASKETED NON-SKID COVER AND FLOW-CONTROL FITTING.

**OIL SEPARATOR
DRAW-OFF, GRAVITY TYPE**

SERIES **60500B**

FORMERLY 60500A SERIES



| | | |
|---|------|--|
| Δ | -EXT | EXTENSION, 6" STANDARD (SPECIFY EXT. HEIGHT) |
| Δ | -EST | EXTRA STORAGE TANK |
| | -60 | ANCHOR FLANGE (-EXT REQUIRED) |
| | -61 | FLANGE AND CLAMP DEVICE (-EXT REQUIRED) |
| | -HD | HEAVY-DUTY COVER |

Δ SEPARATE SUBMITTAL FOR THIS OPTION AVAILABLE

| | TYPE | FLOW RATE (GPM) | PIPE SIZE | C | D | E | F | G | M | R | S |
|--|--------|-----------------|-----------|---------|--------|---------|---------|---------|---------|--------|---------|
| | 60503B | 10 | 2" | 10 1/2" | 4 1/8" | 15 1/2" | 12 3/8" | 14 5/8" | 6 5/8" | 2 7/8" | 8 1/2" |
| | 60504B | 15 | 2" | 12 3/4" | 3 3/8" | 18 1/4" | 14 1/2" | 16 1/8" | 8" | 2 5/8" | 10 3/4" |
| | 60505B | 20 | *3" | 14 5/8" | 4 3/8" | 20" | 16 3/8" | 19" | 8 7/8" | 2 3/4" | 12" |
| | 60506B | 25 | *3" | 16" | 4" | 21 3/4" | 17 1/2" | 20" | 9 3/4" | 2 3/4" | 13 1/2" |
| | 60507B | 35 | *3" | 16 3/4" | 4 7/8" | 25 1/4" | 19 1/4" | 21 5/8" | 11 1/2" | 2 3/4" | 14 1/4" |
| | 60508B | 50 | *3" | 18 1/2" | 6 1/4" | 28 3/4" | 21 1/2" | 24 3/4" | 13 1/4" | 3" | 16" |

* 3" SIZES NORMALLY FURNISHED WITH 4" x 3" REDUCING BUSHINGS

WARNING: Cancer and Reproductive Harm - www.P65Warnings.ca.gov

DATE OF LAST CHANGE: 9/19/14

DIMENSIONS ARE SUBJECT TO MANUFACTURERS TOLERANCES AND CHANGE WITHOUT NOTICE. WE CAN ASSUME NO RESPONSIBILITY FOR USE OF SUPERSEDED OR VOID DATA.



MICHIGAN CITY, INDIANA

NOTES