

ROOF-CEPTOR® INDIRECT WASTE DRAINS

12 1/2"(320) TOP - MEDIUM DEPTH RECEPTORS

FUNCTION: Recommended for use in roof areas to receive waste water from air conditioning units, cooling towers and other mechanical equipment installed on the roof. The solid water dam prevents storm water from entering the waste line. The large vandal proof dome bottom strainer provides ample drainage and prevents entry of debris.

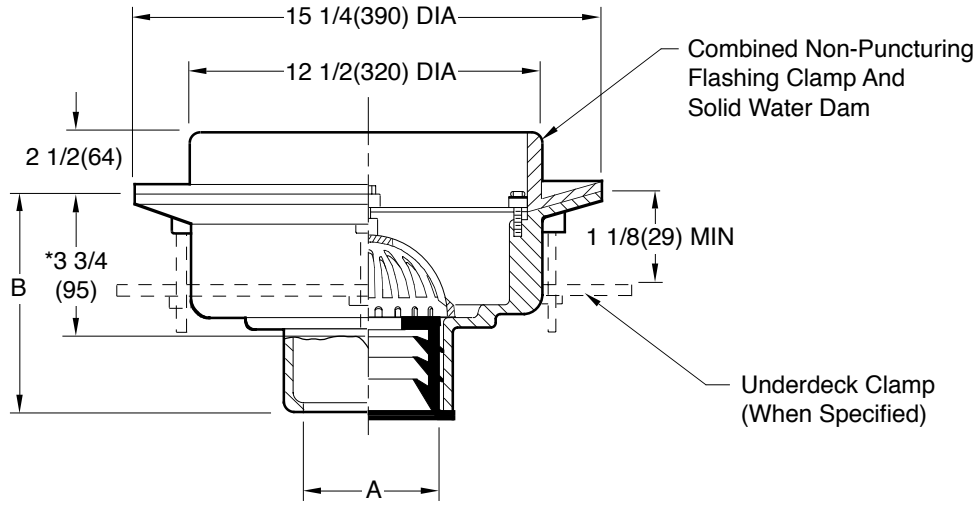


Fig. 3980C . . . CAULK OUTLET
 Fig. 3980Y . . . NO-HUB OUTLET

*This Dimension to Internal Stop of Speedi-Set Gasket

recommended deck openings:
 with suffix -R - 17"(430)
 less suffix -R - 14"(355)

A SIZE	02 (50)	03 (80)	04 (100)	05 (125)	06 (150)
B	5(125) for Caulk, NO-HUB and Speedi-Set. 3 3/4(95) for Threaded				

REGULARLY FURNISHED:
 Duco Cast Iron Receptor with Solid Water Dam and Cast Iron Dome Bottom Strainer Secured with Stainless Steel Vandal Proof Screws.

- VARIATIONS:**
- Extension -E
 - L Speedi-Set Service Weight
02(50), 03(80) & 04"(100) sizes only
 - LXH Speedi-Set Extra Heavy
02(50), 03(80) & 04"(100) sizes only
 - Roof Sump Receiver -R
 - Underdeck Clamp -UDC
 - T Threaded Outlet

OPTIONAL MATERIALS:
 All Galvanized -G

NOTE: Dimensions shown in parentheses are in millimeters.

DRAWING NUMBER **S3980**
 SIZE **A**
 SCALE: **NONE**
 DATE: **9-19-85**
 APPROVED BY: **SJM**
 CHECKED BY: **JD**
 DRAWN BY: **PJ**

WE CAN ASSUME NO RESPONSIBILITY FOR USE OF SUPERSEDED OR VOID DATA
 DIMENSIONS ARE SUBJECT TO MANUFACTURERS TOLERANCE AND CHANGE WITHOUT NOTICE

3980

REV.	DATE	DESCRIPTION	BY	CKD. BY	WEIGHT POUNDS	VOLUME CUBIC FEET	FIGURE NUMBER 3980
		Added UDC to Variations Added Millimeters Submittal Update	JJ EMB	CL BS BS			